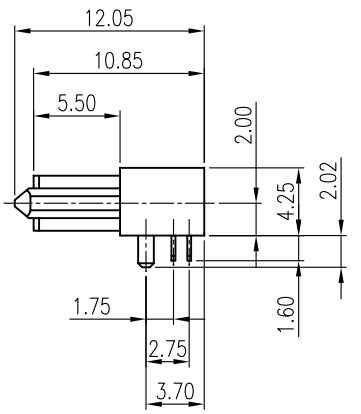
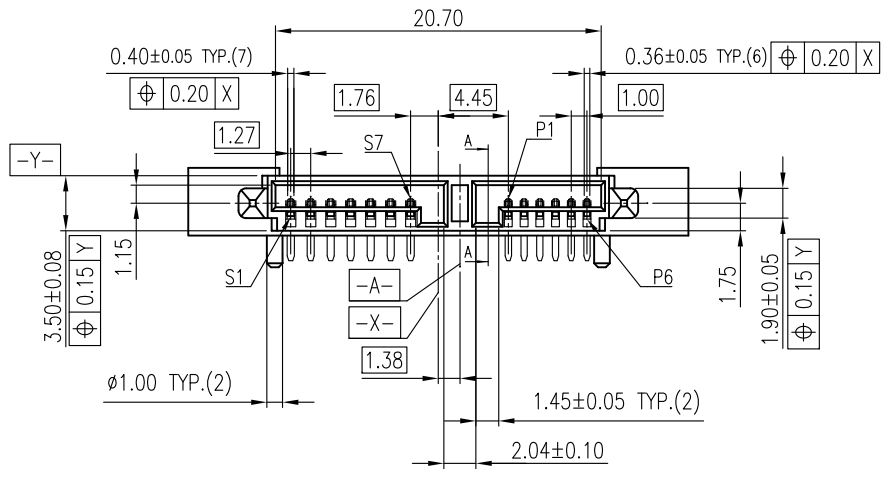
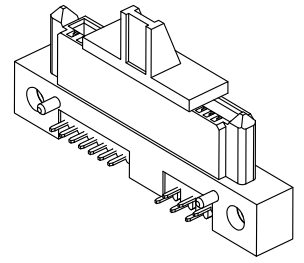
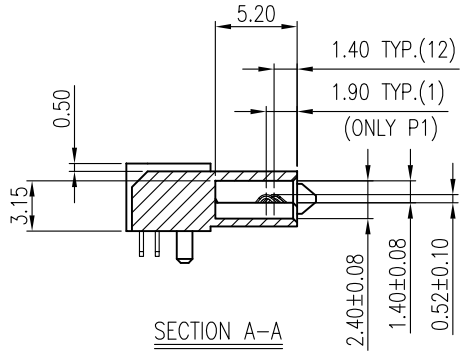
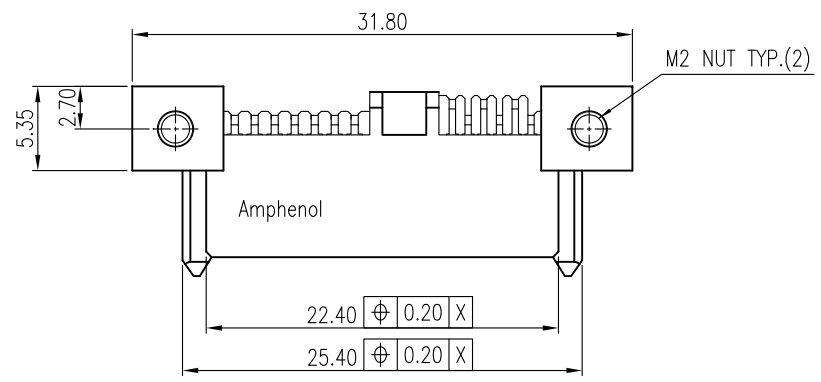


This document is the property of Amphenol Corporation and is delivered on the express condition that is not to be disclosed, reproduced or used, in whole or in part, for manufacture or sale by anyone other than Amphenol Corporation without its prior consent, and that no right is granted to disclose or to use any information in this document.

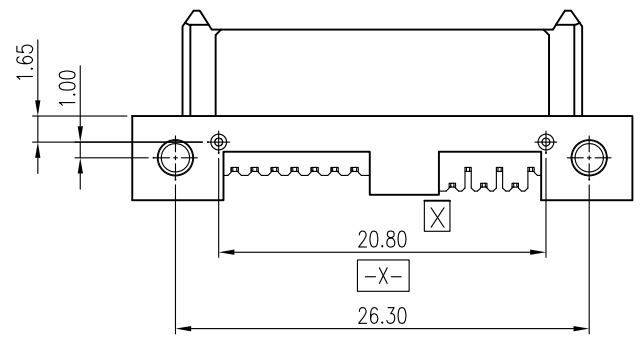
The marking on this product doesn't contain environmental hazardous materials per Material Specification 55-00259 for Sony GP compliant or per directive 2002/95/EC for RoHS compliant.

REVISIONS				
SYM	ECN No.	DESCRIPTION	DATE	APPROVED
AX1		NON-RELEASE REVISION	07/31/2009	Roger Tsai



PART NO. G16E5X230DEU

CONTACT FINISH  
 0: GOLD FLASH  
 1: 15 μ" GOLD  
 2: 30 μ" GOLD



**PRELIMINARY RELEASE  
 SUBJECT TO CHANGE**

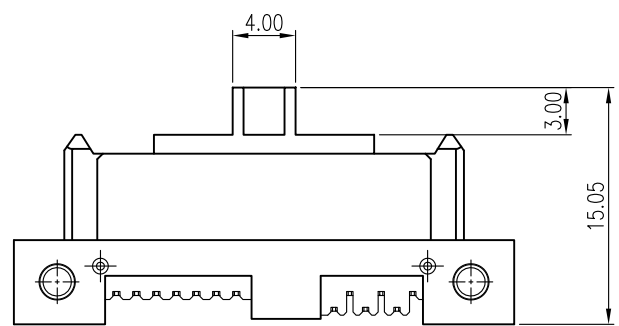
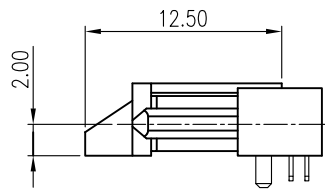
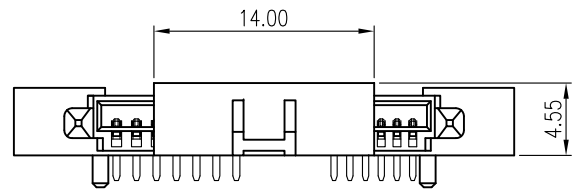
TOLERANCE		APPROVALS		DATE	TITLE		Amphenol®		
X.		DRAWN Roger Tsai		07/31/2009	SLIMLINE SATA RECEPTACLE CONNECTOR DIP TYPE, CENTER HIGH: 2.00 MM		Amphenol Corporation Amphenol Taiwan Corporation		
X.X	±0.30	CHECKED Daniel Hsieh		07/31/2009					
X.XX	±0.20	APPROVED Roger Tsai		07/31/2009					
X.XXX	±0.10	DWG TYPE CUST DWG		PROJECT CODE SKT					
ANGULAR	±1°				UNIT mm	SIZE A3	PART No. G16E5X230DEU		
UNLESS OTHERWISE SPECIFIED					SCALE NA	SHEET 1 OF 2	DWG No. G16E5X230DEU		REV. AX1

This document is the property of Amphenol Corporation and is delivered on the express condition that is not to be disclosed, reproduced or used, in whole or in part, for manufacture or sale by anyone other than Amphenol Corporation without its prior consent, and that no right is granted to disclose or to use any information in this document.

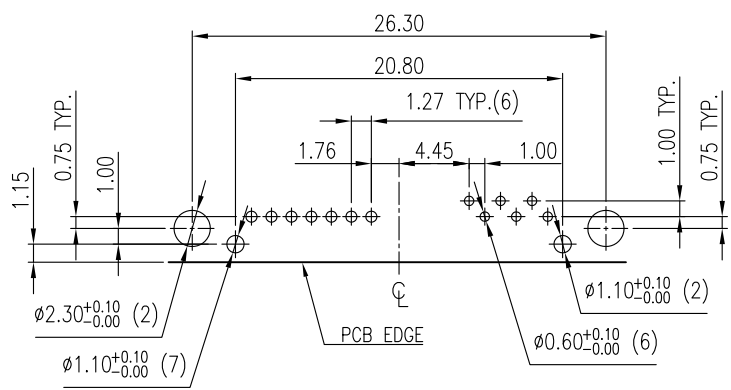
The marking on this product doesn't contain environmental hazardous materials per Material Specification 55-00259 for Sony GP compliant or per directive 2002/95/EC for RoHS compliant.

REVISIONS				
SYM	ECN No.	DESCRIPTION	DATE	APPROVED
AX1		NON-RELEASE REVISION	07/27/2009	Roger Tsai

PRELIMINARY RELEASE  
SUBJECT TO CHANGE



- NOTES:
- 1.MATERIAL:  
HOUSING & CAP: LIQUID CRYSTAL POLYMER,6130(L),30% GLASS FIBER FILLED, UL94V-0, BLACK COLOR.  
TERMINAL: COPPER ALLOY.  
ALIGNER: LIQUID CRYSTAL POLYMER,6130(L),30% GLASS FIBER FILLED, UL94V-0, BLACK COLOR.  
NUT: ZINC ALLOY.
  - 2.PLATING:  
TERMINAL:  
CONTACT AREA: SELECTED GOLD PLATING;  
SOLDERING AREA: TIN PLATING 100 μ" THICKNESS MIN.;  
UNDER PLATING: NICKEL PLATING 50 μ" THICKNESS MIN. OVERALL.  
NUT: NICKEL PLATING 50 μ" THICKNESS MIN. AND COPPER UNDER PLATING 50 μ" THICKNESS MIN. OVERALL.
  3. PACKING IS PER AMTA PACKING SPECIFICATION PKS-0001.
  4. THIS PRODUCT DOESN'T CONTAIN ENVIRONMENTAL HAZARDOUS PER DIRECTIVE 2002/95/EC FOR RoHS COMPLIANT.



RECOMMENDED PC BOARD LAYOUT  
TOLERANCE: ±0.05mm(TOP VIEW)

TOLERANCE	APPROVALS	DATE	TITLE		Amphenol®	
X. ±0.30	DRAWN Roger Tsai	07/31/2009	SLIMLINE SATA RECEPTACLE CONNECTOR DIP TYPE, CENTER HIGH: 2.00 MM		Amphenol Corporation Amphenol Taiwan Corporation	
X.X ±0.20	CHECKED Daniel Hsieh	07/31/2009				
X.XXX ±0.10	APPROVED Roger Tsai	07/31/2009				
ANGULAR ±1°	DWG TYPE CUST DWG	PROJECT CODE SKT	UNIT mm	SIZE A3	PART No. G16E5X230DEU	
UNLESS OTHERWISE SPECIFIED			SCALE NA	SHEET 2 OF 2	DWG No. G16E5X230DEU	REV. AX1