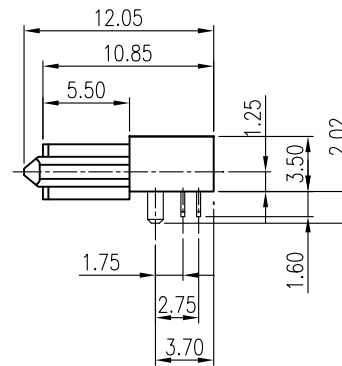
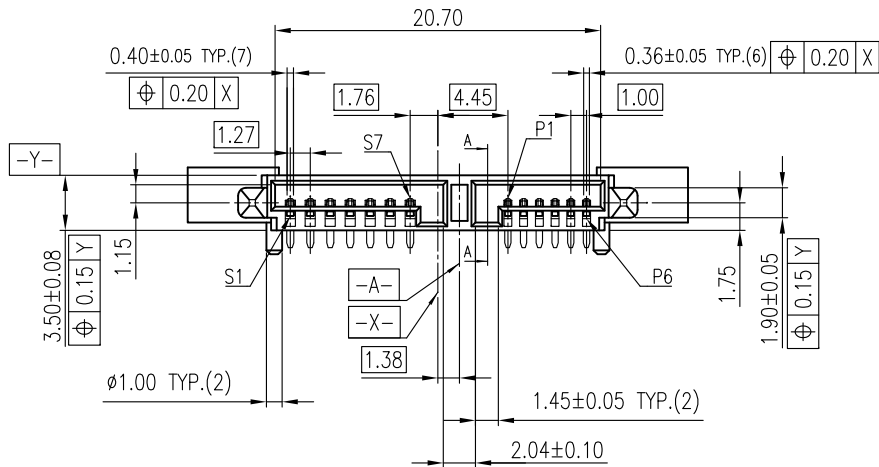
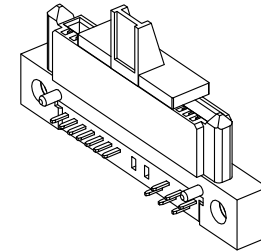
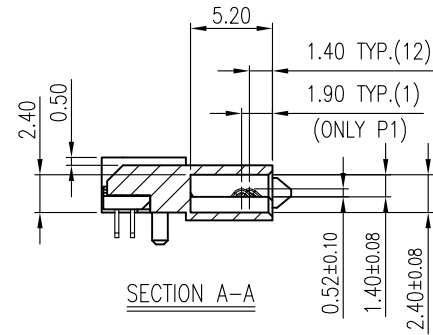
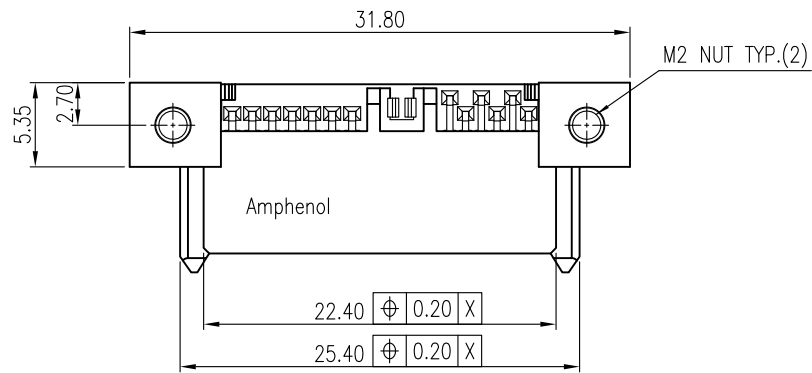


This document is the property of Amphenol Corporation and is delivered on the express condition that is not to be disclosed, reproduced or used, in whole or in part, for manufacture or sale by anyone other than Amphenol Corporation without its prior consent, and that no right is granted to disclose or to use any information in this document.

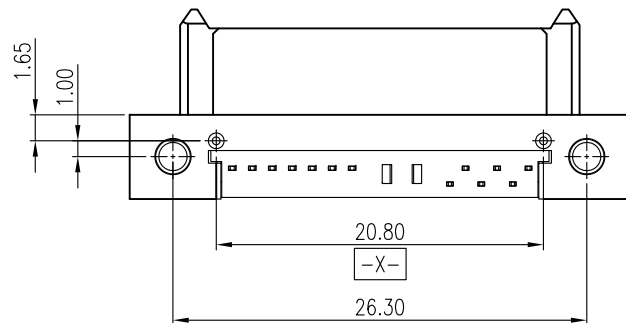
The marking on this product doesn't contain environmental hazardous materials per Material Specification SS-00259 for Sony GP compliant or per directive 2002/95/EC for RoHS compliant.

REVISIONS				
SYM	ECN No.	DESCRIPTION	DATE	APPROVED
AX1		NON-RELEASE REVISION	07/27/2009	Roger Tsai



PART NO. G16E5X230CEU  
 CONTACT FINISH  
 0: GOLD FLASH  
 1: 15 μ" GOLD  
 2: 30 μ" GOLD

**PRELIMINARY RELEASE  
 SUBJECT TO CHANGE**

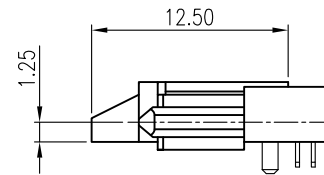
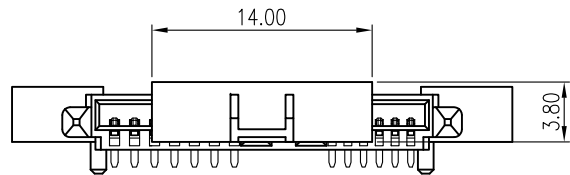


TOLERANCE		APPROVALS		DATE	TITLE		Amphenol®				
X.		DRAWN	Roger Tsai	07/27/2009	SLIMLINE SATA RECEPTACLE CONNECTOR DIP TYPE, CENTER HIGH: 1.25 MM		Amphenol Corporation Amphenol Taiwan Corporation				
X.X	±0.30	CHECKED	Daniel Hsieh	07/27/2009							
X.XX	±0.20	APPROVED	Roger Tsai	07/27/2009							
X.XXX	±0.10	DWG TYPE	CUST DWG	PROJECT CODE	SKT	UNIT	mm	SIZE	A3	PART No.	G16E5X230CEU
ANGULAR	±1°					SCALE	NA	SHEET	1 OF 2	DWG No.	G16E5X230CEU
UNLESS OTHERWISE SPECIFIED										REV.	AX1

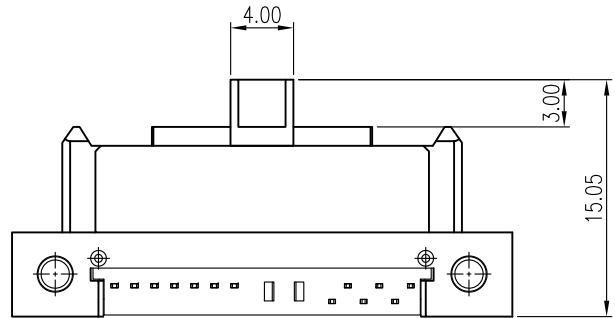
This document is the property of Amphenol Corporation and is delivered on the express condition that is not to be disclosed, reproduced or used, in whole or in part, for manufacture or sale by anyone other than Amphenol Corporation without its prior consent, and that no right is granted to disclose or to use any information in this document.

The marking on this product doesn't contain environmental hazardous materials per Material Specification 55-00259 for Sony GP compliant or per directive 2002/95/EC for RoHS compliant.

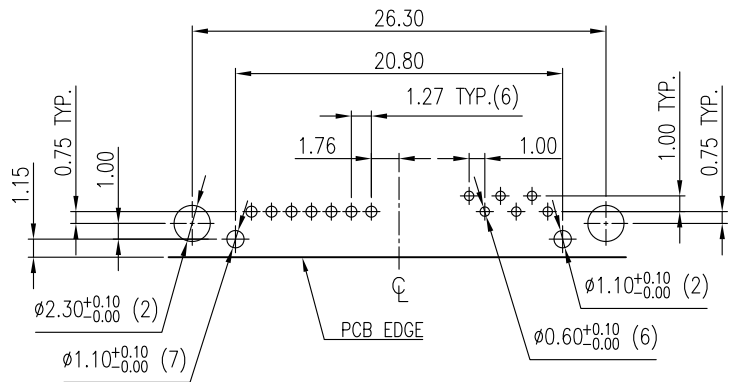
REVISIONS				
SYM	ECN No.	DESCRIPTION	DATE	APPROVED
AX1		NON-RELEASE REVISION	07/27/2009	Roger Tsai



PRELIMINARY RELEASE  
SUBJECT TO CHANGE



- NOTES:
- MATERIAL:
    - HOUSING & CAP: LIQUID CRYSTAL POLYMER, 6130(L), 30% GLASS FIBER FILLED, UL94V-0, BLACK COLOR.
    - TERMINAL: COPPER ALLOY.
    - ALIGNER: LIQUID CRYSTAL POLYMER, 6130(L), 30% GLASS FIBER FILLED, UL94V-0, BLACK COLOR.
    - NUT: ZINC ALLOY.
  - PLATING:
    - TERMINAL:
      - CONTACT AREA: SELECTED GOLD PLATING;
      - SOLDERING AREA: TIN PLATING 100 μ" THICKNESS MIN.;
      - UNDER PLATING: NICKEL PLATING 50 μ" THICKNESS MIN. OVERALL.
    - NUT: NICKEL PLATING 50 μ" THICKNESS MIN. AND COPPER UNDER PLATING 50 μ" THICKNESS MIN. OVERALL.
  - PACKING IS PER AMTA PACKING SPECIFICATION PKS-0001.
  - THIS PRODUCT DOESN'T CONTAIN ENVIRONMENTAL HAZARDOUS PER DIRECTIVE 2002/95/EC FOR RoHS COMPLIANT.



RECOMMENDED PC BOARD LAYOUT  
TOLERANCE: ±0.05mm(TOP VIEW)

TOLERANCE		APPROVALS		DATE	TITLE		Amphenol®		
X.		DRAWN Roger Tsai		07/27/2009	SLIMLINE SATA RECEPTACLE CONNECTOR DIP TYPE, CENTER HIGH: 1.25 MM		Amphenol Corporation Amphenol Taiwan Corporation		
X.X	±0.30	CHECKED Daniel Hsieh		07/27/2009					
X.XX	±0.20	APPROVED Roger Tsai		07/27/2009					
X.XXX	±0.10	ANGULAR ±1°				UNIT mm	SIZE A3	PART No. G16E5X230CEU	
UNLESS OTHERWISE SPECIFIED		DWG TYPE CUST DWG		PROJECT CODE SKT		SCALE NA	SHEET 2 OF 2	DWG No. G16E5X230CEU	
								REV. AX1	