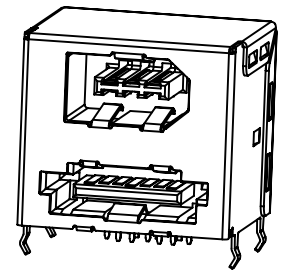
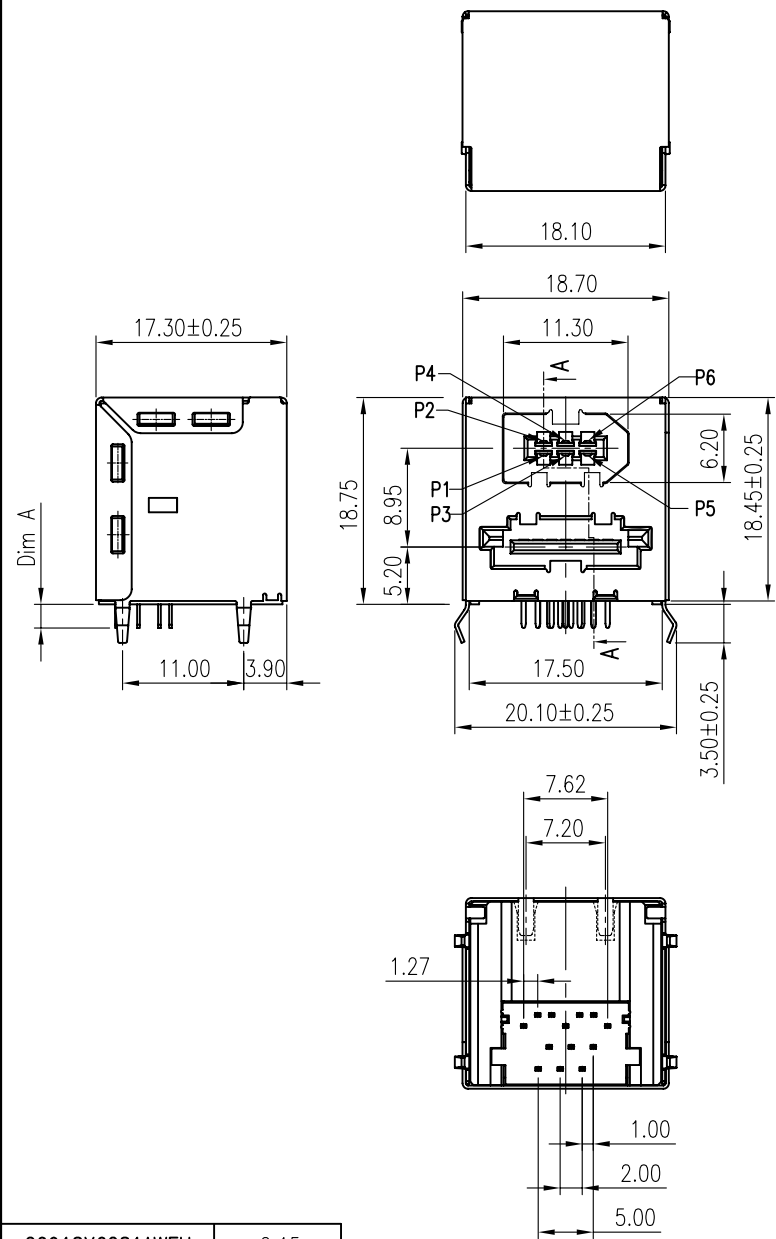


This document is the property of Amphenol Corporation and is delivered on the express condition that it is not to be disclosed, reproduced or used, in whole or in part, for manufacture or sale by anyone other than Amphenol Corporation without its prior consent, and that no right is granted to disclose or to use any information in this document.

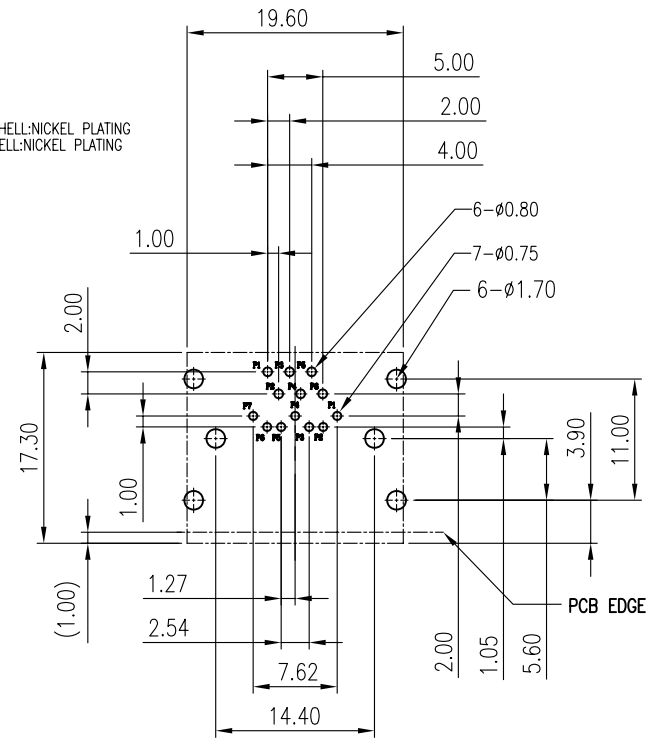
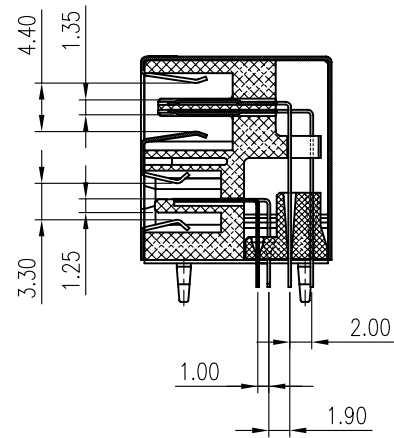
CUSTOMER DRAWING

REVISIONS				
SYM	ECN No.	DESCRIPTION	DATE	APPROVED
AX1		UNAPPROVED REVISION	10/19/2007	Hank Hsu
AX2		MODIFY TOLERANCE	11/16/2007	Hank Hsu



P/N SYSTEM:
G09 1 8 X X 2 8 1AWEU

- TERMINAL STYLE:
6: DIP TYPE(2.15mm)
7: DIP TYPE(3.10mm)
- CONTACT FINISH:
4: CONTACT:30u" GOLD; SHELL:NICKEL PLATING
5: CONTACT:15u" GOLD; SHELL:NICKEL PLATING



P.C.B Layout t=1.60mm

- NOTES:
- INSULATOR: HIGH TEMPERATURE THERMOPLASTIC, UL 94V-0, COLOR- RED(185C)
 - CONTACT: BRASS, SELECTIVE GOLD PLATED OVER NICKEL ON CONTACT AREA, TIN PLATED ON SOLDERING TAIL
 - SHELL: BRASS, NICKEL PLATED
 - THIS PRODUCT DOESN'T CONTAIN ENVIRONMENTAL HAZARDOUS MATERIALS PER DIRECTIVE 2002/95/EC FOR RoHS.

**PRELIMINARY RELEASE
SUBJECT TO CHANGE**

G0918X6281AWEU	2.15
G0918X7281AWEU	3.10
PART NUMBER	Dim A

TOLERANCE m/m	APPROVALS	DATE	TITLE	Amphenol®		
x. ±0.30	DRAWN		G09 SERIES	Amphenol Corporation Amphenol Taiwan Corporation		
x.x ±0.25	CHECKED		E-SATA CONNECTOR			
x.xx ±0.15	APPROVED		PLUG, NORMAL, STACKED			
x.xxx ±0.08			R/A PCB MOUNT, DIP TYPE			
ANGULAR ±2°				SCALE N.A.	SHEET 1 OF 1	
UNLESS OTHERWISE SPECIFIED	UNIT	MM	SIZE A4	PART NO. G0918XX281AWEU	DRAWING NO. SKT-G0918XX281AWEU-16	REV. AX2