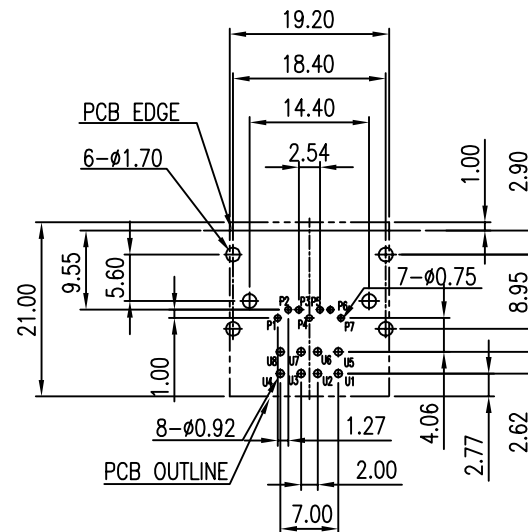
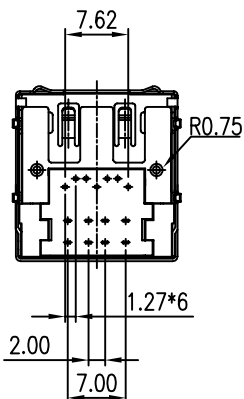
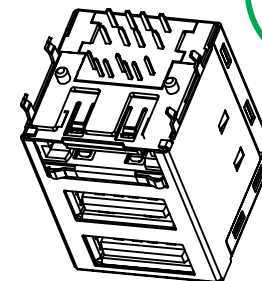
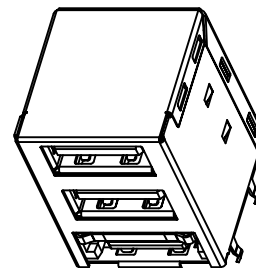
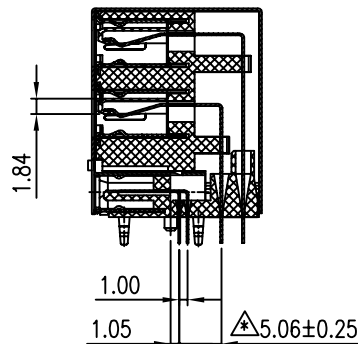
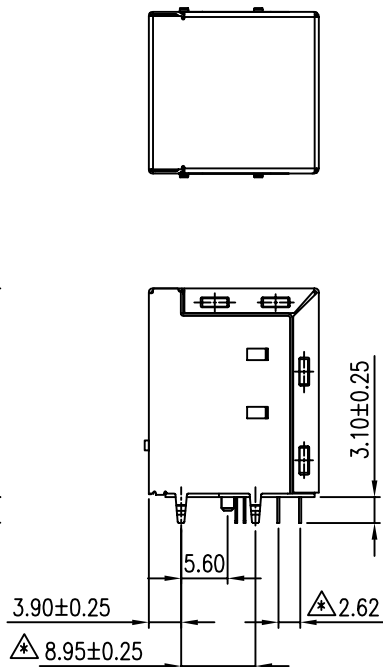
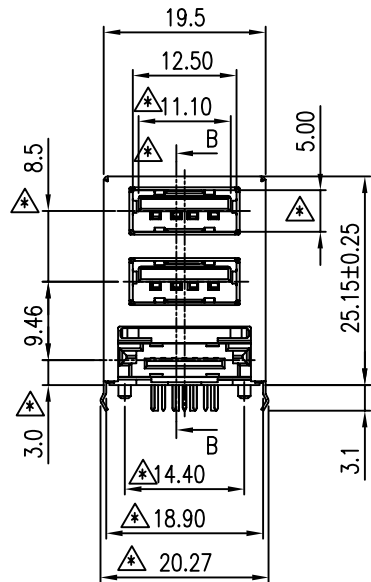


This document is the property of Amphenol Corporation and is delivered on the express condition that it is not to be disclosed, reproduced or used, in whole or in part, for manufacture or sale by anyone other than Amphenol Corporation without its prior consent, and that no right is granted to disclose or to use any information in this document.
 The marking on this product doesn't contain environmental hazardous materials per Material Specification SS-00259 for Sony GP compliant or per directive 2002/95/EC for RoHS compliant.

CUSTOMER DRAWING ORIGINAL



REVISIONS				
SYM	ECN No.	DESCRIPTION	DATE	APPROVED
A		RELEASE TO PRODUCTION	04/19/2007	Hank Hsu



NOTES:

- E-SATA HOUSING: NYLON 46, UL 94V-0, COLOR- RED
- USB HOUSING: NYLON 66, UL 94V-0, COLOR- BLACK
- SHELL: BRASS, NICKEL PLATING
- E-SATA CANTACT: BRASS, GOLD PLATING OVER NICKEL
ON CONTACT AREA, TIN PLATING ON SOLDER TAIL
- USB CONTACT: PHOSPER BRONZE, GOLD PLATING OVER NICKEL
CONTACT AREA, TIN PLATING ON SOLDER TAIL
- THIS PRODUCT DOESN'T CONTAIN ENVIRONMENTAL HAZARDOUS MATERIALS PER DIRECTIVE 2002/95/EC FOR RoHS.
- THE PRODUCT MUST BE FOR DIP PROCESS ONLY
- △ ARE CRITICAL DIMENSIONS
- PER AMTA'S PACKING SPECIFICATION PKS-0001

TOLERANCE m/m	APPROVALS	DATE	TITLE		Amphenol®	
x. ±0.30	DRAWN Sondra Sang	04/19/07	G09 SERIES STACKED USB OVER e SATA PLUG, NORMAL, STACKED R/A PCB MOUNT, DIP TYPE		Amphenol Corporation Amphenol Taiwan Corporation	
x.x ±0.25	CHECKED Chenny Yeh	04/19/07				
x.xxx ±0.08	APPROVED Hank Hsu	04/19/07				
ANGULAR ±2'			SIZE A4	PART NO. G09 17X 236X WEU	DRAWING NO. SKT-G0917X236XWEU-16	REV. A
UNLESS OTHERWISE SPECIFIED	UNIT MM		SCALE N.A.		SHEET 1 OF 1	