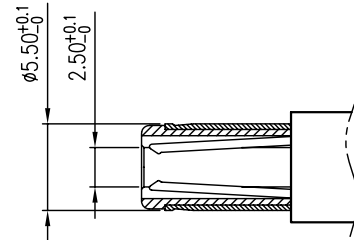
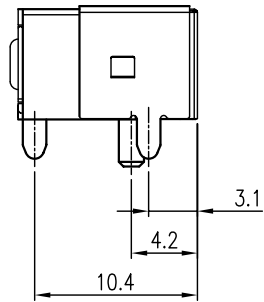
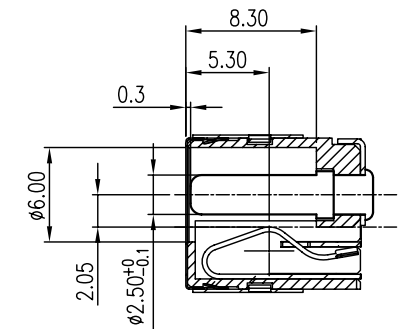
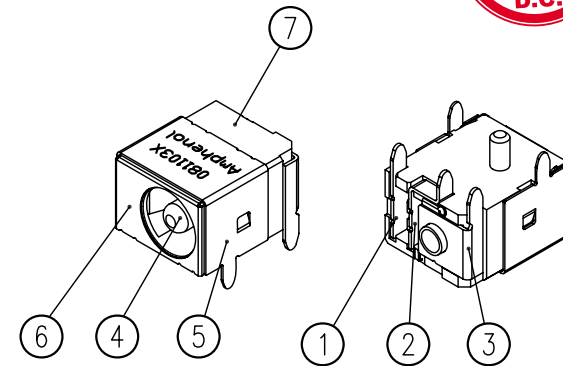
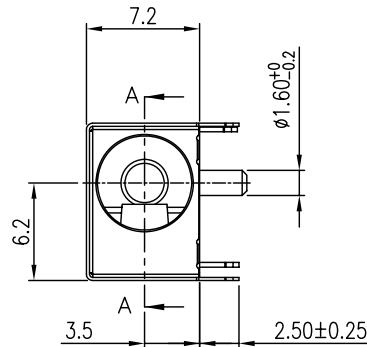
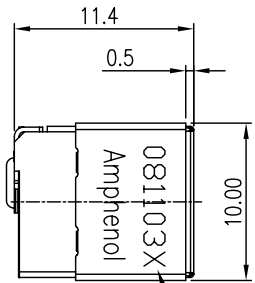
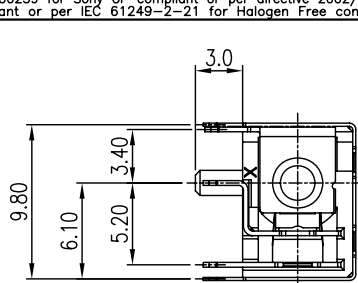


This document is the property of Amphenol Corporation and is delivered on the express condition that is not to be disclosed, reproduced or used, in whole or in part, for manufacture or sale by anyone other than Amphenol Corporation without its prior consent, and that no right is granted to disclose or to use any information in this document.

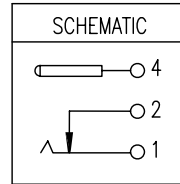
The marking on this product doesn't contain environmental hazardous material and must follow one or more specifications per Material Specification SS-00259 for Sony GP compliant or per directive 2002/95/EC for RoHS compliant or per IEC 61249-2-21 for Halogen Free compliant

ORIGINAL

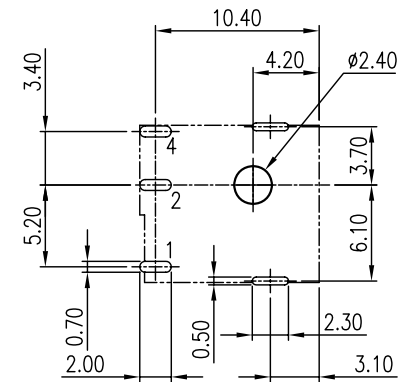
REVISIONS				
SYM	ECN No.	DESCRIPTION	DATE	APPROVED
A		RELEASE TO PRODUCTION	01/22/2010	Arron Lin
B	NE-10176	ADDED DATE CODE VARIATION	10/26/2010	Arron Lin



PLUG



SCHEMATIC



RECOMMENDED PCB LAYOUT (TOP VIEW)
(ALL TOLERANCES ARE ±0.05)

- NOTE:
- THIS PRODUCT DOESN'T CONTAIN ENVIRONMENTAL HAZARDOUS MATERIALS PER DIRECTIVE 2002/95/EC FOR RoHS.
 - PACKING MUST BE PER AMPHENOL PRODUCT SPECIFICATION PKS-EMJ1-02
 - CONTACT RESISTANCE
C1 SHELL to C2 SHELL : 1 Ω Max.

ITEM	DESCRIPTION	MATERIAL	Q'TY	FINISH
7	HOUSING	HI-TEMP. THERMOPLASTIC, UL 94V-0	1	BLACK
6	C1 SHELL	COPPER ALLOY	1	NICKEL
5	C2 SHELL	STAINLESS STEEL	1	TIN
4	CONTACT PIN	COPPER ALLOY	1	NICKEL
3	M3 CONTACT	COPPER ALLOY	1	TIN
2	M2 CONTACT	COPPER ALLOY	1	TIN
1	M1 CONTACT	COPPER ALLOY	1	TIN

TOLERANCE	APPROVALS	DATE	TITLE	UNIT	SIZE	PART No.
X. ±0.30	DRAWN Aqua Chou	10/26/2010	G24 SERIES DC POWER JACK HIGH RETENTION FORCE OVER 10N	mm	A3	Amphenol® Amphenol Corporation Amphenol Taiwan Corporation
X.X ±0.20	CHECKED Roger Tsai	10/26/2010				
X.XX ±0.10	APPROVED Arron Lin	10/26/2010				
ANGULAR ±1°	DWG TYPE CUST DWG	PROJECT CODE OTHER	UNIT mm	SCALE NA	SHEET 1 OF 1	REV. B
UNLESS OTHERWISE SPECIFIED						G24 040141HR