

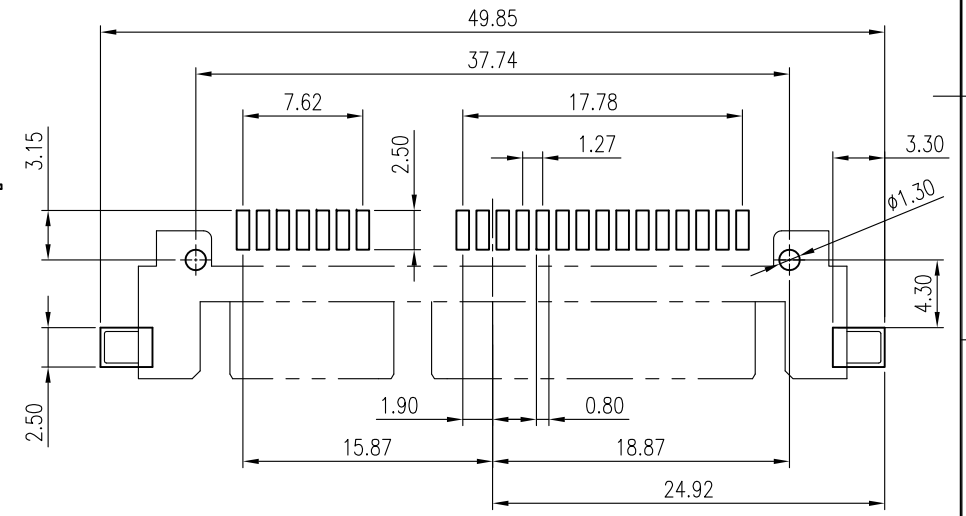
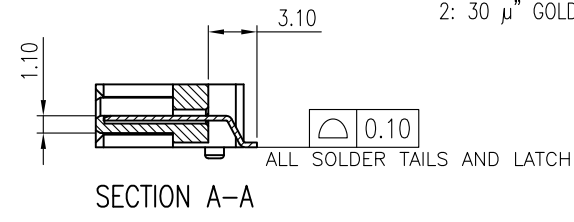
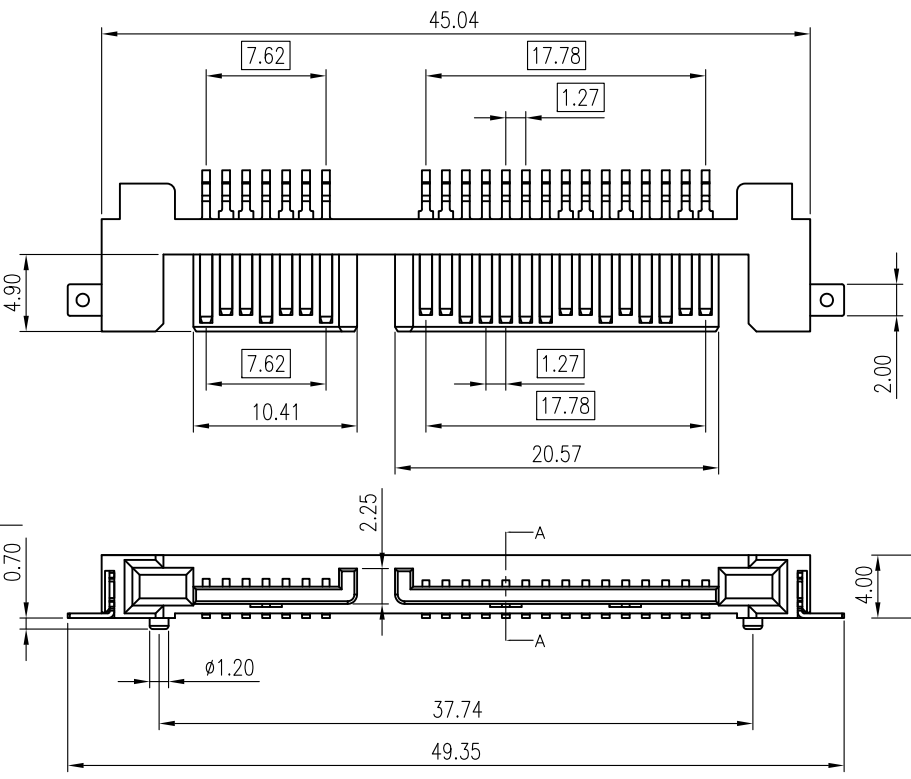
This document is the property of Amphenol Corporation and is delivered on the express condition that is not to be disclosed, reproduced or used, in whole or in part, for manufacture or sale by anyone other than Amphenol Corporation without its prior consent, and that no right is granted to disclose or to use any information in this document.

The marking on this product doesn't contain environmental hazardous materials per Material Specification 55-00259 for Sony GP compliant or per directive 2002/95/EC for RoHS compliant.

REVISIONS				
SYM	ECN No.	DESCRIPTION	DATE	APPROVED
AX1		NON-RELEASE REVISION	08/14/2008	Hank Hsu
AX2		ADD PART NO. OPTION	07/16/2009	Roger Tsoi

**PRELIMINARY RELEASE  
SUBJECT TO CHANGE**

PART NO. G16CE8X13XMEU  
 CONTACT FINISH: 0: GOLD FLASH  
 1: 15 μ" GOLD  
 2: 30 μ" GOLD  
 COLOR: 0: LCP, BLACK



- NOTES:
- MATERIAL:  
 HOUSING: HIGH TEMPERATURE THERMO PLASTIC UL94V-0  
 TERMINAL: COPPER ALLOY  
 METAL SHIELD: COPPER ALLOY
  - FINISH:  
 TERMINAL:  
 CONTACT AREA: SELECTIVE GOLD PL.  
 SOLDERING AREA: TIN PL. 100 μ" THK MIN.  
 UNDER PL.: NICKEL PL. 50 μ" THK MIN.  
 BOARD LOCK:  
 SOLDERING AREA: TIN PL. 150 μ" THK MIN.  
 UNDER PL.: NICKEL PL. 50 μ" THK MIN.
  - THIS PRODUCT DOESN'T CONTAIN ENVIRONMENTAL HAZARDOUS PER DIRECTIVE 2002/95/EC FOR RoHS COMPLIANT.

TOLERANCE		APPROVALS		DATE	TITLE		Amphenol®				
X.		DRAWN	Roger Tsoi	07/16/2009	G16CE SERIES SERIAL ATA CONNECTOR POWER & SIGNAL, MALE 7P+15P, R/A SMT, PLUG REVERS TYPE		Amphenol Corporation Amphenol Taiwan Corporation				
X.X	±0.30	CHECKED	Daniel Hsieh	07/16/2009							
X.XX	±0.20	APPROVED	Roger Tsoi	07/16/2009							
X.XXX	±0.10	DWG TYPE	CUST DWG	PROJECT CODE	SKT	UNIT	mm	SIZE	A3	PART No.	G16CE8X13XMEU
ANGULAR	±1°					SCALE	NA	SHEET	1 OF 1	DWG No.	G16CE8X13XMEU
UNLESS OTHERWISE SPECIFIED										REV.	AX2