

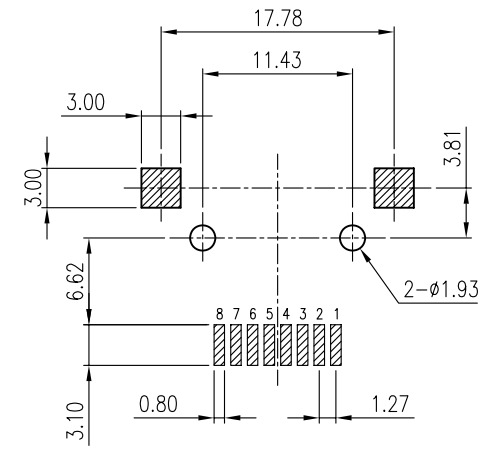
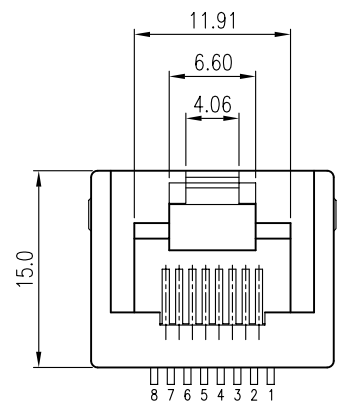
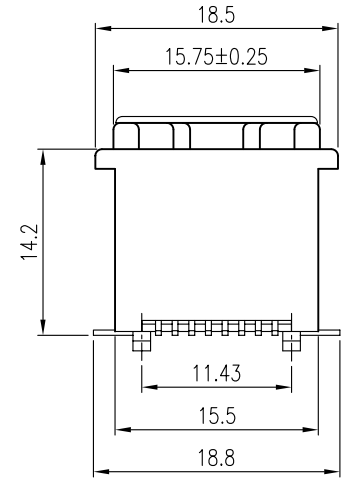
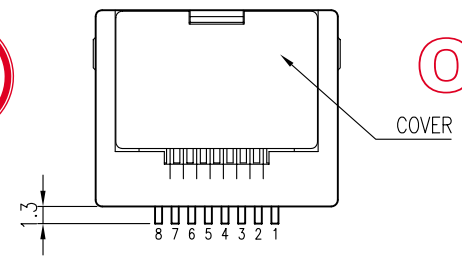
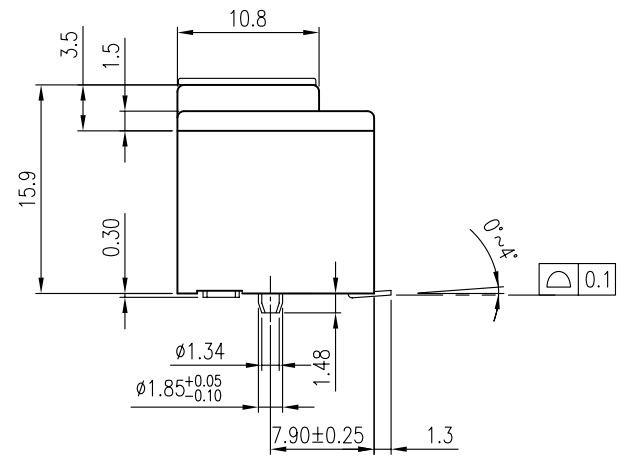
This document is the property of Amphenol Corporation and is delivered on the express condition that is not to be disclosed, reproduced or used, in whole or in part, for manufacture or sale by anyone other than Amphenol Corporation without its prior consent, and that no right is granted to disclose or to use any information in this document.

The marking on this product doesn't contain environmental hazardous materials per Material Specification 55-00259 for Sony GP compliant or per directive 2002/95/EC for RoHS compliant.

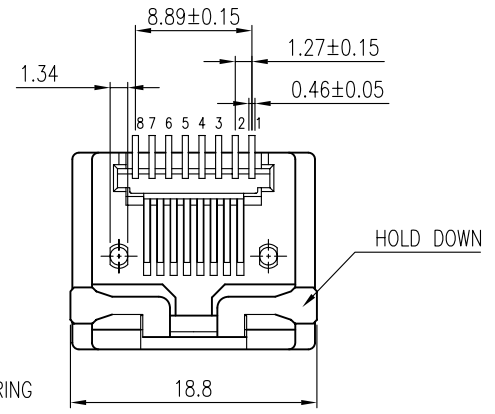


REVISIONS				
SYM	ECN No.	DESCRIPTION	DATE	APPROVED
A		RELEASE TO PRODUCTION	10/30/2008	Hank Hsu

ORIGINAL



RECOMMENDED PCB LAYOUT- TOP VIEW
(GENERAL TOLERANCE: ±0.05)



- NOTES:**
- INSULATOR: NYLON 9T, UL 94V-0, COLOR- BLACK
 - CONTACT: PHOSPHOR BRONZE, 0.35 MM THICKNESS, SELECTIVE GOLD PLATED ON CONTACT AREA, GOLD FLASH PLATED ON SOLDERING AREA, 50µ" MIN. NICKEL UNDER-PLATING OVERALL
 - HOLD DOWN: COPPER ALLOY, 0.4MM THICKNESS, 100µ" MIN. TIN OVER 50µ" MIN. NICKEL UNDER-PLATING OVERALL
 - COVER: NYLON-46, UL 94V-0, COLOR- BLACK
 - THIS PRODUCT DOESN'T CONTAIN ENVIRONMENTAL HAZARDOUS MATERIAL PER DIRECTIVE 2002/95/EC FOR RoHS.
 - THE PRODUCT MUST BE PER Amphenol PACKING SPECIFICATION PKS-0001

G71B 0141 4 00 EU	50µ"
G71B 0141 3 00 EU	30µ"
G71B 0141 2 00 EU	15µ"
G71B 0141 1 00 EU	6µ"
PART NUMBER	FINISH

TOLERANCE	APPROVALS	DATE	TITLE	UNIT	SCALE	SIZE	PART No.
X. ±0.30	DRAWN Sondra Sang	10/30/08	MODULAR JACK, 8P8C TOP ENTRY, SMT W/ HOLD DOWN & COVER	mm	A3	1 OF 1	G71B 0141X 00 EU
X.X ±0.20	CHECKED Chenny Yeh	10/30/08					
X.XXX ±0.10	APPROVED Hank Hsu	10/30/08					
ANGULAR ±1°	DWG TYPE CUST DWG	PROJECT CODE MJK	UNIT mm	SCALE NA	SHEET 1 OF 1	DWG No. G71B0141X00EU	REV. A
UNLESS OTHERWISE SPECIFIED							