

This document is the property of Amphenol Corporation and is delivered on the express condition that is not to be disclosed, reproduced or used, in whole or in part, for manufacture or sale by anyone other than Amphenol Corporation without its prior consent, and that no right is granted to disclose or to use any information in this document.

The marking on this product doesn't contain environmental hazardous materials per Material Specification SS-00259 for Sony GP compliant or per directive 2002/95/EC for RoHS compliant.

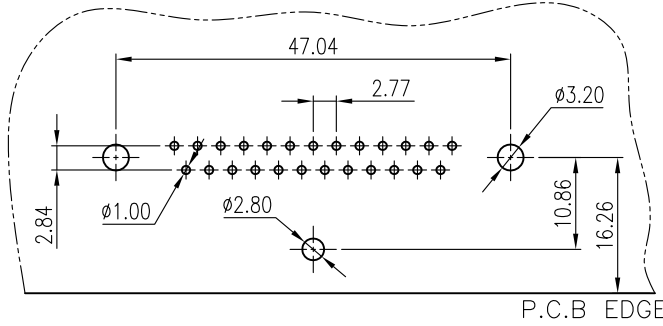
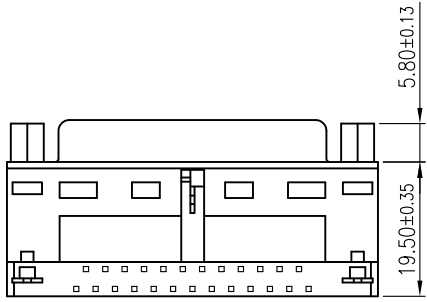
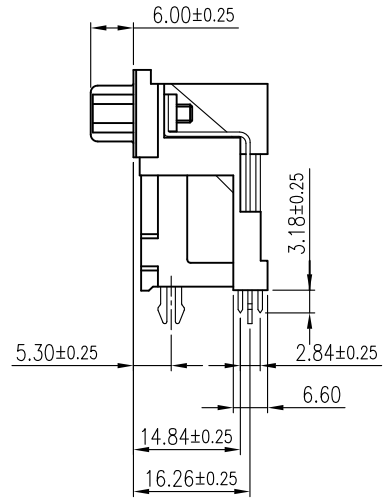
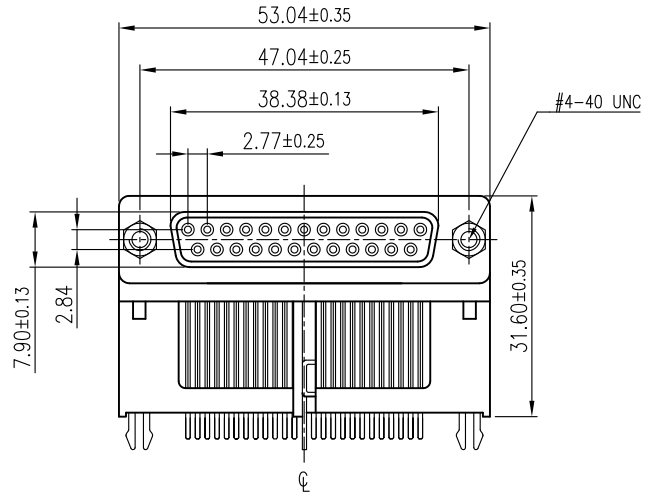
**PRELIMINARY RELEASE
SUBJECT TO CHANGE**

REVISIONS				
SYM	ECN No.	DESCRIPTION	DATE	APPROVED
AX1		NON-RELEASE REVISION	07/22/2009	Roger Tsai
AX2		MODIFIED COLOR	08/06/2009	Roger Tsai

NOTES:

- MATERIAL:**
INSULATOR: HIGH TEMPERATURE THERMAL PLASTIC, PBT, UL94V-0,
COLOR: BURGUNDY 235C.
TERMINAL: COPPER ALLOY.
SHELL: COLD ROLLER STEEL.
- FINISH:**
TERMINAL:
CONTACT AREA: SELECTED GOLD PLATING;
SOLDERING AREA: TIN PLATING 100 μ" THICKNESS MIN.;
UNDER PLATING: NICKEL PLATING 50 μ" THICKNESS MIN. OVERALL.
SHELL:
NICKEL PLATING 75 μ" THICKNESS MIN. OVERALL.
- PACKING IS PER AMTA PACKING SPECIFICATION PKS-0001.
- THIS PRODUCT DOESN'T CONTAIN ENVIRONMENTAL HAZARDOUS PER DIRECTIVE 2002/95/EC FOR RoHS COMPLIANT.

PART NO. G17H26AX221EU
CONTACT FINISH
0: GOLD FLASH
1: 15 μ" GOLD
2: 30 μ" GOLD



RECOMMENDED PCB LAYOUT
TOLERANCE: ±0.05 MM

TOLERANCE		APPROVALS		DATE	TITLE		Amphenol®							
X.		DRAWN Roger Tsai		08/06/2009	G17H SERIES D-SUB 25 PIN FEMALE, HIGH RISE, R/A TYPE		Amphenol Corporation Amphenol Taiwan Corporation							
X.X	±0.30	CHECKED Daniel Hsieh		08/06/2009										
X.XX	±0.20	APPROVED Roger Tsai		08/06/2009										
X.XXX	±0.10	UNLESS OTHERWISE SPECIFIED		CUST DWG	PROJECT CODE	DSUB	UNIT	mm	SIZE	A3	PART No.	G17H26AX221EU		
ANGULAR	±1°						SCALE	NA	SHEET	1 OF 1	DWG No.	G17H26AX221EU	REV.	AX2