

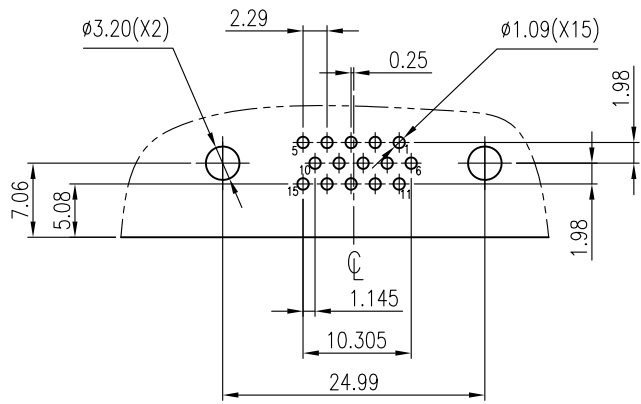
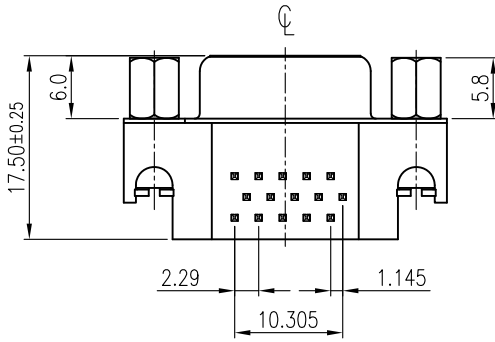
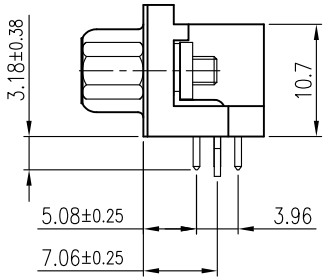
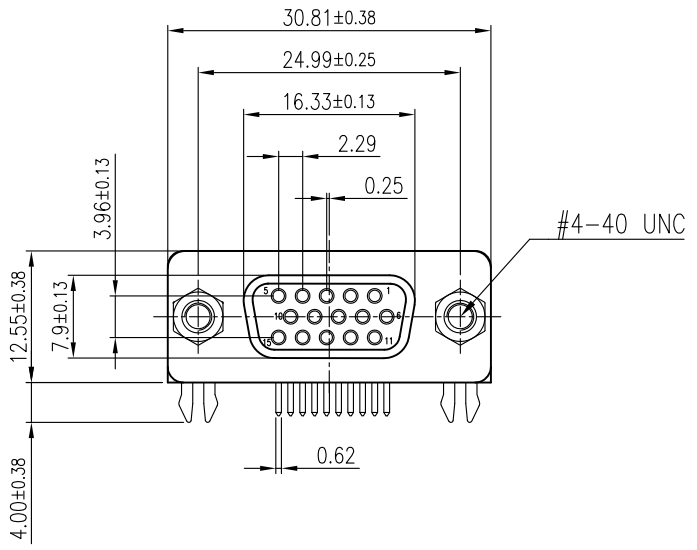
PRELIMINARY RELEASE
SUBJECT TO CHANGE

This document is the property of Amphenol Corporation and is delivered on the express condition that is not to be disclosed, reproduced or used, in whole or in part, for manufacture or sale by anyone other than Amphenol Corporation without its prior consent, and that no right is granted to disclose or to use any information in this document.
The marking on this product doesn't contain environmental hazardous materials per Material Specification 55-00259 for Sony GP compliant or per directive 2002/95/EC for RoHS compliant.

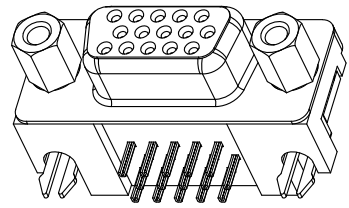
REVISIONS				
SYM	ECN No.	DESCRIPTION	DATE	APPROVED
A		RELEASE TO PRODUCTION	10/20/2009	Roger Tsai
BX1		ADD SOLDER TAIL WIDTH	10/27/2009	Roger Tsai
BX2		ADD PCB LAYOUT PIN ASSIGNMENT	11/02/2009	Roger Tsai

PART NO. G17DH150X232EU

CONTACT FINISH
0: GOLD FLASH
1: 15 μ" GOLD
2: 30 μ" GOLD



RECOMMENDED PCB LAYOUT
TOLERANCE: ±0.05 MM



NOTES:

- MATERIAL:
HOUSING: HIGH TEMPERATURE THERMAL PLASTIC, PBT, UL94V-0, COLOR: BLUE 661C.
COVER: HIGH TEMPERATURE THERMAL PLASTIC, PBT, UL94V-0, COLOR: BLUE 661C.
TERMINAL: COPPER ALLOY.
SHELL: SPCC.
BOARDLOCK: COPPER ALLOY.
RIVET & SCREW: COPPER ALLOY.
- FINISH:
TERMINAL:
CONTACT AREA: SELECTED GOLD PLATING;
SOLDERING AREA: TIN PLATING 100 μ" THICKNESS MIN.;
UNDER PLATING: NICKEL PLATING 50 μ" THICKNESS MIN. OVERALL.
SHELL:
NICKEL PLATING 80 μ" MINIMUM OVER CU 60 μ" MINIMUM
BOARDLOCK:
TIN PLATING 100 μ" MINIMUM OVER NICKEL 50 μ" MINIMUM
RIVET & SCREW:
NICKEL PLATING 80 μ" MINIMUM OVER CU 60 μ" MINIMUM
- PRODUCT SPECIFICATION REFER TO : PS-7412.
- TEST SUMMARY REFER TO : TS-7412.
- PACKAGING SPECIFICATION REFER TO : PKS-G17DH150X232EU.
- PACKING IS PER AMTA PACKING SPECIFICATION PKS-0001.
- THIS PRODUCT IS LEAD-FREE & RoHS COMPLIANT PRODUCT.

TOLERANCE		APPROVALS		DATE	TITLE		Amphenol®	
X.		DRAWN	Roger Tsai	11/02/2009	G17DH SERIES D-SUB 15 PIN FEMALE 5.08 MM FOOTPRINT, HIGH DENSITY, R/A TYPE		Amphenol Corporation Amphenol Taiwan Corporation	
X.X	±0.30	CHECKED	Daniel Hsieh	11/02/2009				
X.XX	±0.20	APPROVED	Roger Tsai	11/02/2009				
X.XXX	±0.10	DWG TYPE		PROJECT CODE	UNIT	SIZE	PART No.	
ANGULAR	±1°	CUST DWG		DSUB	mm	A3	G17DH150X232EU	
UNLESS OTHERWISE SPECIFIED					SCALE	SHEET	DWG No.	REV.
					NA	1 OF 1	G17DH150X232EU	BX2