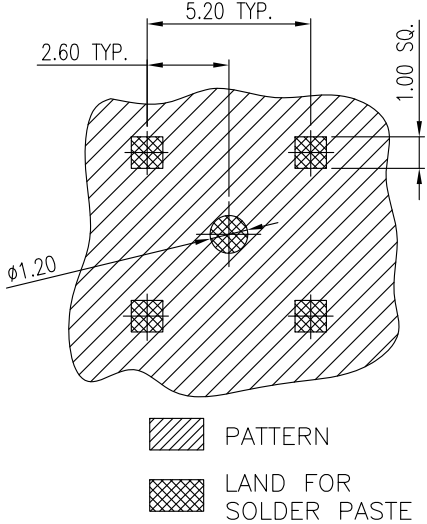
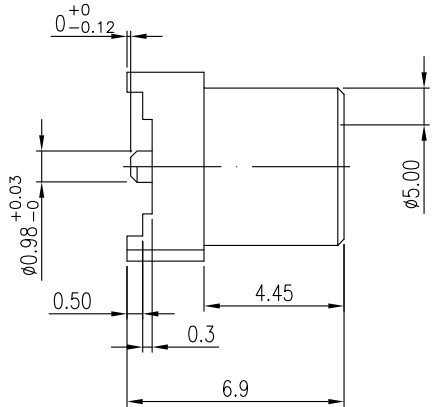
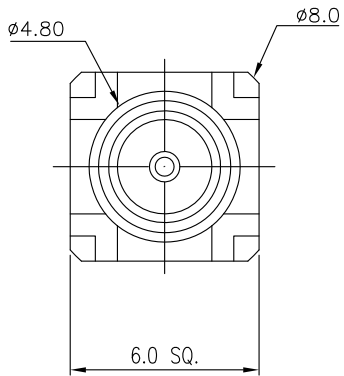


PRELIMINARY RELEASE
SUBJECT TO CHANGE

REVISIONS				
SYM	ECN No.	DESCRIPTION	DATE	APPROVED
AX1		NON-RELEASE REVISION	07/24/2009	Arron Lin

This document is the property of Amphenol Corporation and is delivered on the express condition that is not to be disclosed, reproduced or used, in whole or in part, for manufacture or sale by anyone other than Amphenol Corporation without its prior consent, and that no right is granted to disclose or to use any information in this document.

The marking on this product doesn't contain environmental hazardous materials per Material Specification SS-00259 for Sony GP compliant or per directive 2002/95/EC for RoHS compliant.



TOLERANCE		APPROVALS		DATE	TITLE		Amphenol®						
X.		DRAWN	Daniel Hsieh	07/24/2009	MCX STRAIGHT JACK SMT		Amphenol Corporation Amphenol Taiwan Corporation						
X.X	±0.30	CHECKED	Roger Tsai	07/24/2009									
X.XX	±0.20	APPROVED	Arron Lin	07/24/2009									
X.XXX	±0.10	DWG TYPE	CUST DWG	PROJECT CODE	RFSS	UNIT	mm	SIZE	A3	PART No.	G11C0163EU		
ANGULAR	±1°					SCALE	NA	SHEET	1 OF 1	DWG No.	G11C0163EU	REV.	AX1
UNLESS OTHERWISE SPECIFIED													

NO.	DESCRIPTION	MATERIAL	FINISH	Q'TY	DRAWN NO.
3	PIN	Be Cu	GOLD	1	
2	INSULATOR	TEFLON	NONE	1	
1	BODY	BRASS	GOLD	1	