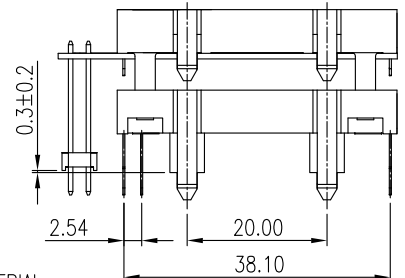
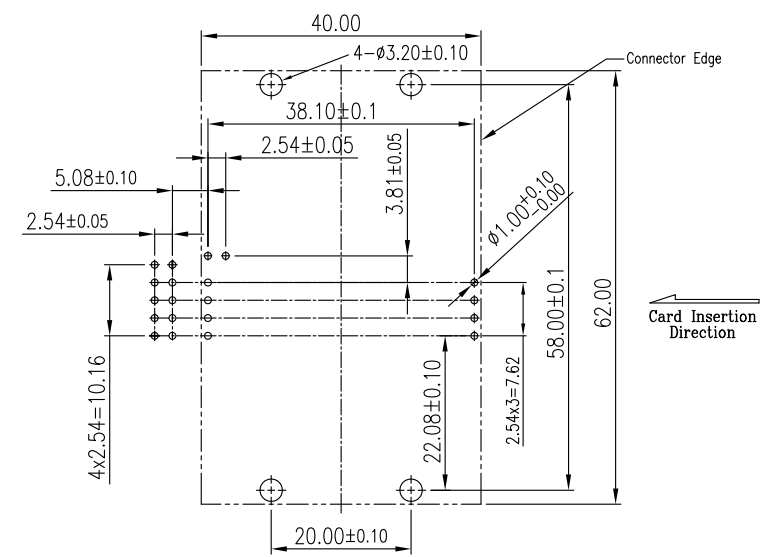
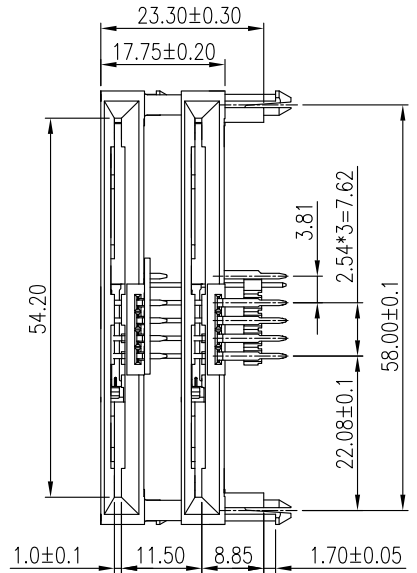
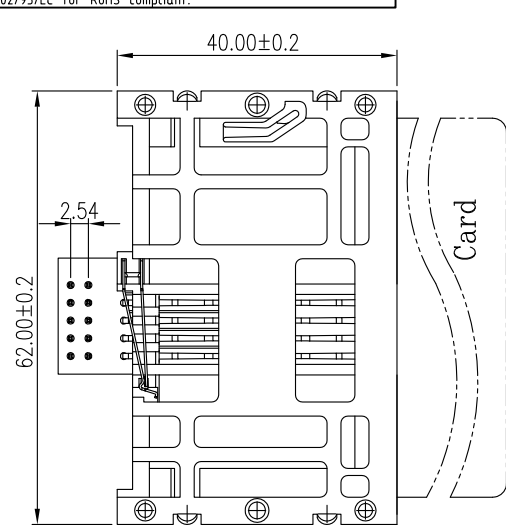


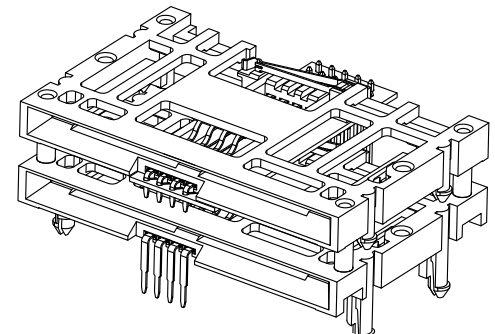
This document is the property of Amphenol Corporation and is delivered on the express condition that it is not to be disclosed, reproduced or used, in whole or in part, for manufacture or sale by anyone other than Amphenol Corporation without its prior consent, and that no right is granted to disclose or to use any information in this document.

The marking on this product doesn't contain environmental hazardous materials per Material Specification 55-00259 for Sony GP compliant or per directive 2002/95/EC for RoHS compliant.

REVISIONS				
SYM	ECN No.	DESCRIPTION	DATE	APPROVED
AX1		NON-RELEASE REVISION	08/03/2009	Roger Tsai
AX2		MODIFIED DRAWING	09/29/2009	Roger Tsai



PRELIMINARY RELEASE
SUBJECT TO CHANGE



NOTES:

1. MATERIAL:
HOUSING: HIGH TEMPERATURE THERMAL PLASTIC, PBT, UL94V-0.
TERMINAL: COPPER ALLOY.
SWITCH: COPPER ALLOY.
2. FINISH:
TERMINAL:
CONTACT AREA: GOLD PLATING 15 μ" THICKNESS MIN.;
SOLDERING AREA: TIN PLATING 100 μ" THICKNESS MIN.;
UNDER PLATING: NICKEL PLATING 50 μ" THICKNESS MIN. OVERALL.
SWITCH:
SOLDERING AREA: TIN PLATING 100 μ" THICKNESS MIN.;
UNDER PLATING: NICKEL PLATING 50 μ" THICKNESS MIN. OVERALL.
3. PACKING IS PER AMTA PACKING SPECIFICATION PKS-0001.
4. THIS PRODUCT DOESN'T CONTAIN ENVIRONMENTAL HAZARDOUS PER DIRECTIVE 2002/95/EC FOR RoHS COMPLIANT.

TOLERANCE		APPROVALS		DATE	TITLE		Amphenol®		
X.		DRAWN Roger Tsai		09/29/2009	SMART CARD CONNECTOR DOUBLE DECK TYPE, STAND OFF=5.35 MM (NORMAL CLOSE)		Amphenol Corporation Amphenol Taiwan Corporation		
X.X	±0.30	CHECKED Daniel Hsieh		09/29/2009					
X.XX	±0.20	APPROVED Roger Tsai		09/29/2009					
X.XXX	±0.10	DWG TYPE CUST DWG		PROJECT CODE OTHER	UNIT mm	SIZE A3	PART No.	G85A10082134EU	
ANGULAR	±1°				SCALE NA	SHEET 1 OF 1	DWG No.	G85A10082134EU	REV. AX2
UNLESS OTHERWISE SPECIFIED									