

This document is the property of Amphenol Corporation and is delivered on the express condition that it is not to be disclosed, reproduced or used, in whole or in part, for manufacture or sale by anyone other than Amphenol Corporation without its prior consent, and that no right is granted to disclose or to use any information in this document.
 The marking on this product doesn't contain environmental hazardous materials per Material Specification SS-00259 for Sony GP compliant or per directive 2002/95/EC for RoHS compliant.



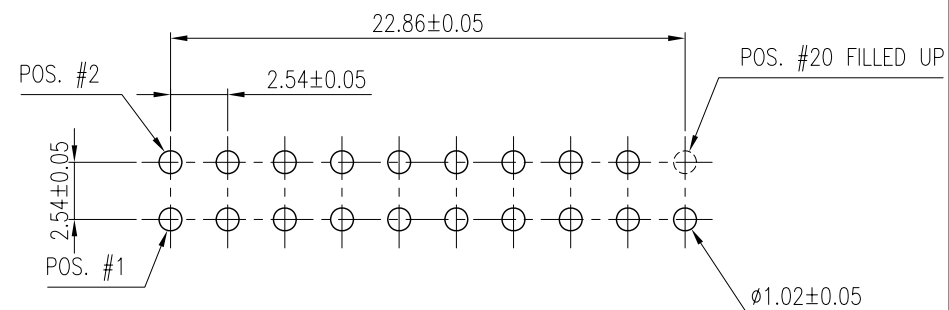
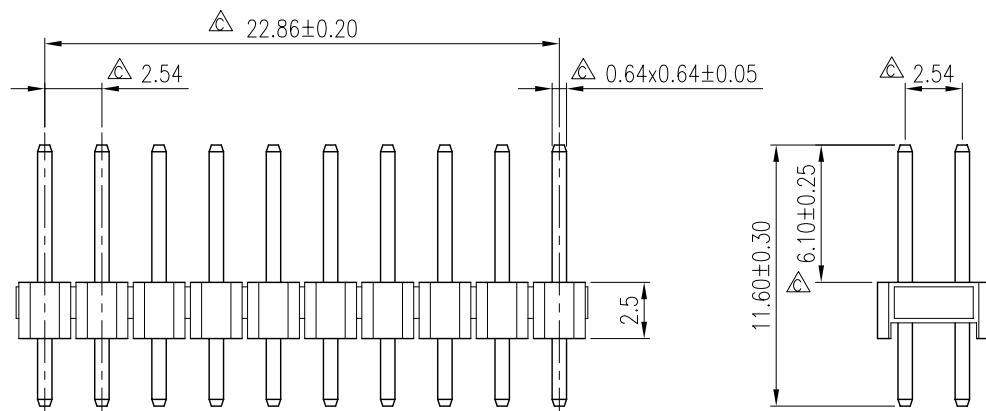
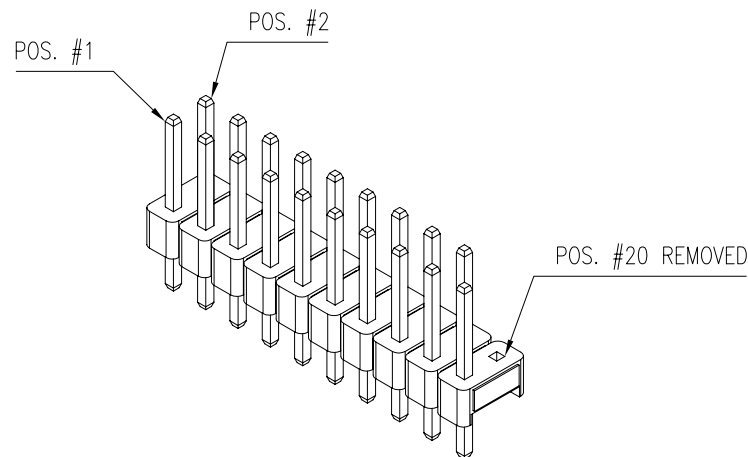
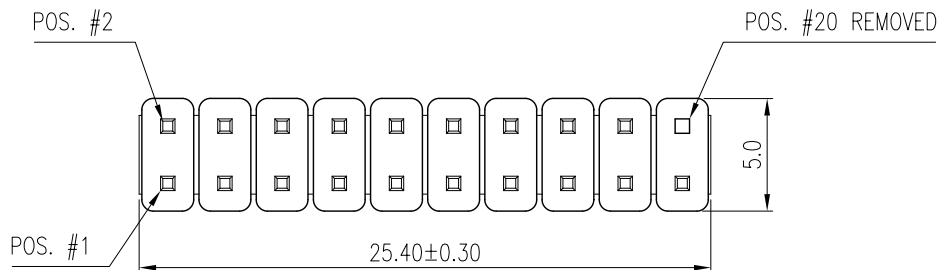
CUSTOMER DRAWING

ORIGINAL



REVISIONS				
SYM	ECN No.	DESCRIPTION	DATE	APPROVED
A		RELEASE TO PRODUCTION	01/09/2008	Hank Hsu

CINVE1



NOTES:

- INSULATOR: NYLON 6T, UL 94V-0, COLOR- BLACK
- CONTACT: COPPER ALLOY, "XXX"- PIN CONTACT PLATING
 "005"- 15μ" GOLD
 "010"- 30μ" GOLD
 "018"- FULL GOLD FLASH
 "025"- 5μ" GOLD
 "032"- FULL TIN
- THIS PRODUCT DOESN'T CONTAIN ENVIRONMENTAL HAZARDOUS MATERIALS PER DIRECTIVE 2002/95/EC FOR RoHS.
- PACKING IS PER AMTA PACKING SPECIFICATION PKS-0001
- △ ARE CRITICAL DIMENSIONS

RECOMMENDED P.C.B. LAYOUT

TOLERANCE m/m	APPROVALS	DATE	TITLE		Amphenol®	
x. ±0.30	DRAWN Sondra Sang	01/09/08	G800W SERIES		Amphenol Corporation	
x.x ±0.25	CHECKED Daniel Hsieh	01/09/08	DUAL ROWS HEADER		Amphenol Taiwan Corporation	
x.xx ±0.15	APPROVED Hank Hsu	01/09/08	2.54MM-PITCH , 2x10 POS.		SCALE N.A. SHEET 1 OF 1	
x.xxx ±0.08			STR. PCB MOUNT, #20 REMOVED		REV. A	
ANGULAR ±2°			SIZE A4	PART NO. G800W 586 XXXB EU	DWG NO. HEAD-G800W586XXXBEU-13	
UNLESS OTHERWISE SPECIFIED		UNIT MM				