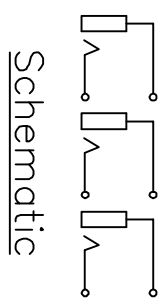
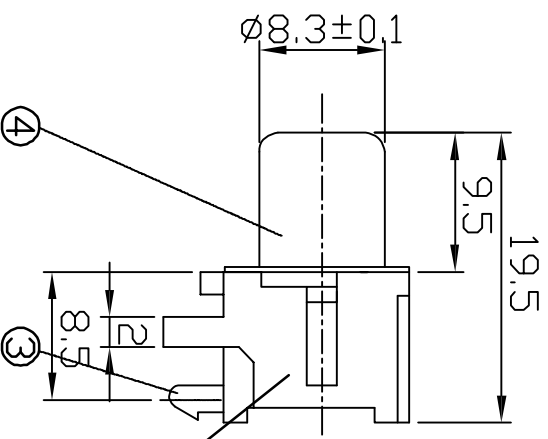
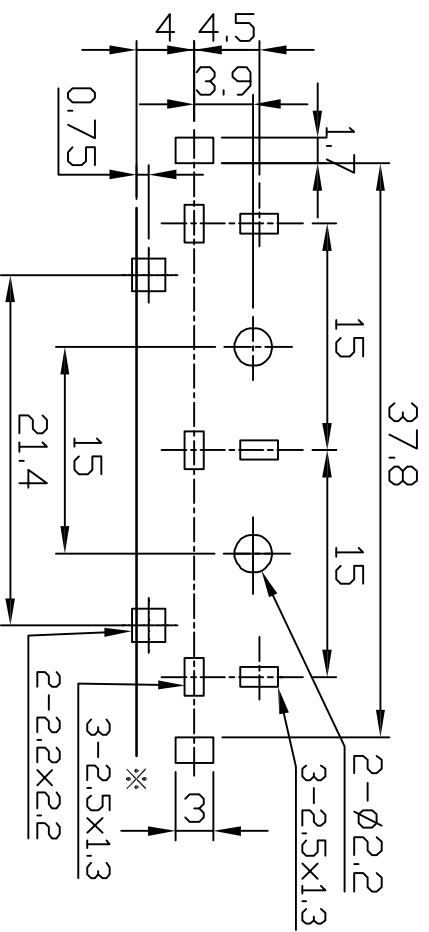
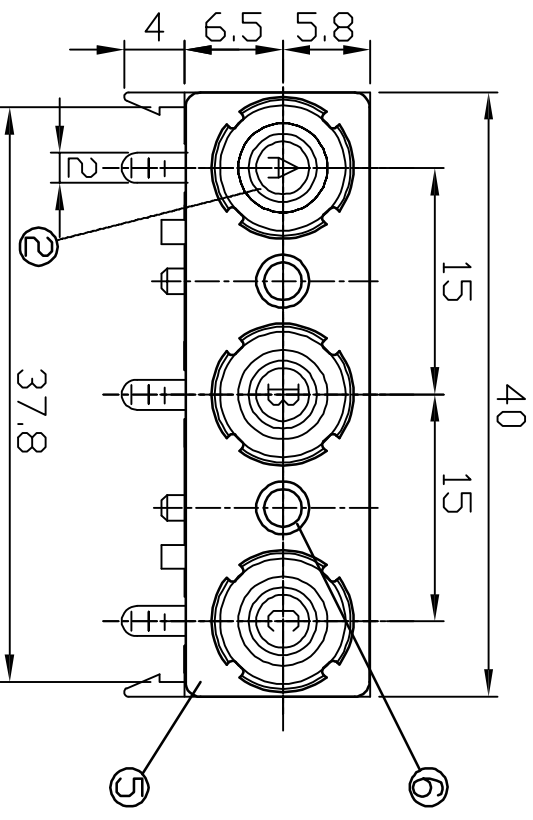


This document is the property of Amphenol Corporation and is delivered on the express condition that it not be disclosed, reproduced or used, in whole or in part, for manufacture or sale by anyone other than Amphenol Corporation without its prior consent, and that no right is granted to disclose or to use any information in this document. The marking on this product doesn't contain environmental hazardous materials per Hazardous Specification 55-00239 for Sony Gr compliant or per directive 2002/95/EC for RoHS compliant.



SPECIFICATION
 1. Rating : DC 30V 0.5A
 2. Contact resistance: ≤50mΩ
 3. Insulation resistance: >100MΩ (DC250V)
 4. Withstand voltage: 250VAC
 5. Insertion and extraction force: 3-25N
 6. Life test: 1,000 cycles

NO	PART NAME	QTY	MATERIAL	REMARK
6	LOCK BLOCK	2	PBT	
5	SEALED PLATE	1	H62Y t0.3	CuSn-PLATED
4	OUTER CONTACT	3	H62M t0.4	CuSn-PLATED
3	TERMINALE	3	H62Y t0.5	CuSn-PLATED
2	WASHER	3	PBT	
1	HOUSING	1	PBT	

PCB HOLES

TOLERANCE	DESIGNED	APPROVALS	DATE
X, ±0.30	DESIGNED	APPROVALS	DATE
XX, ±0.20	ROGER TSOI		04/13/2009
XXX, ±0.10	CHECKED	DANIEL HSIEH	04/13/2009
X,XXX	APPROVED	HONG HSU	04/13/2009
ANGULAR ±1°	UNLESS OTHERWISE SPECIFIED	DWG TYPE	CUST DWG

TITLE		UNIT	SIZE	PART No.
RCA JACK		MM	A3	
VERTICAL, DIP TYPE		SCALE	1 OF 1	DWG No.
		NA		GMSBXXXXXXXEU
				REV
				AX1

Amphenol
 Amphenol Corporation
 Amphenol Taiwan Corporation

REVISIONS		DATE	APPROVED
SYM	ECN No.	DESCRIPTION	
AX1	MS3980-3*03	PROPOSED	100/06/2008
		DRAWN	XXX