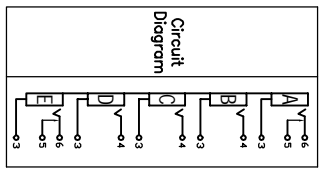
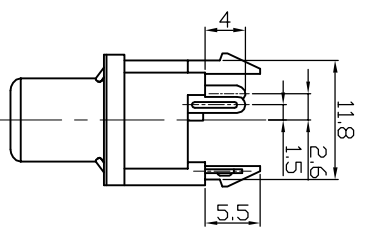
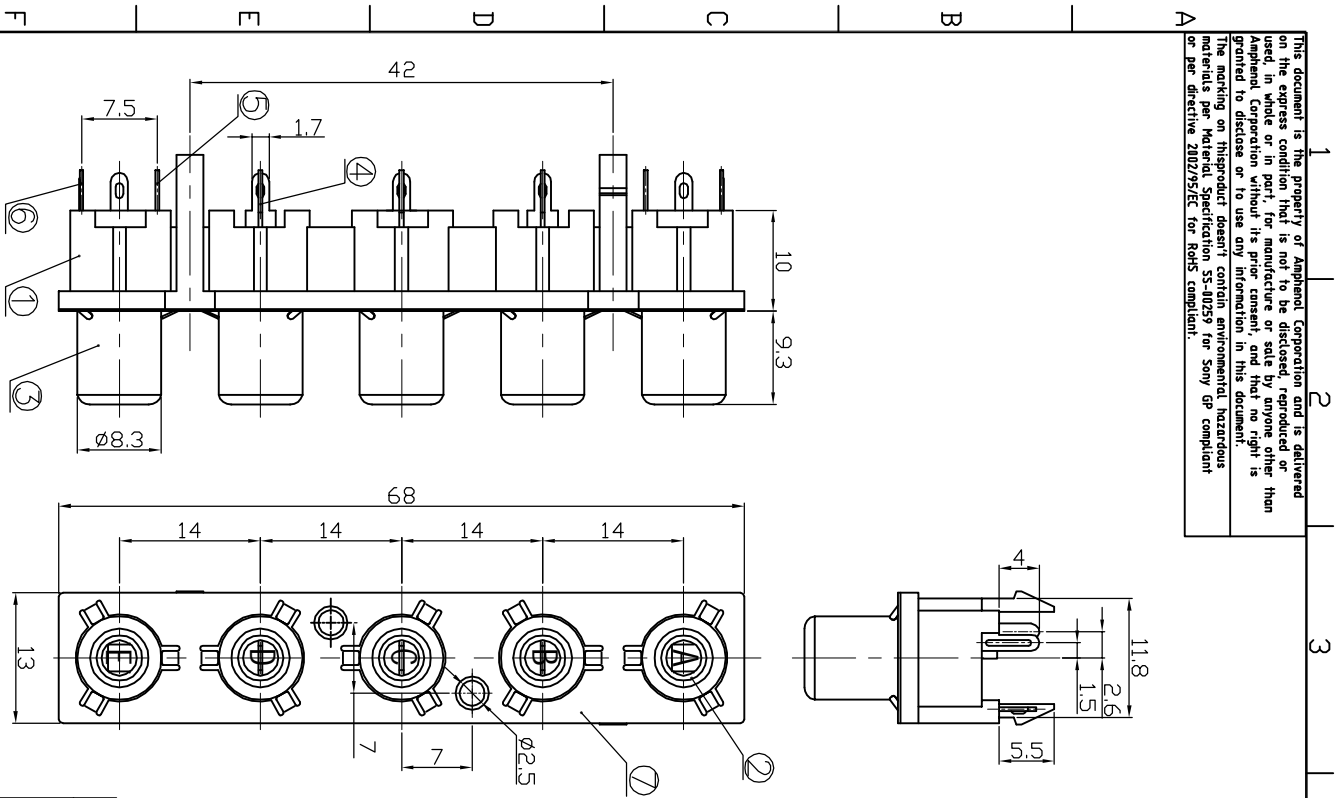
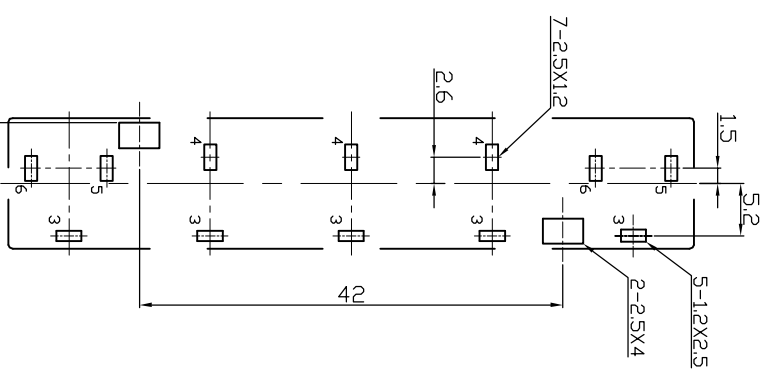


This document is the property of Amphenol Corporation and is delivered on the express condition that it not be disclosed, reproduced or used in whole or in part, for manufacture or sale by anyone other than Amphenol Corporation without its prior consent, and that no right is granted to disclose or to use any information in this document. The marking on this product doesn't contain environmental hazardous materials per Halstead Specification 55-00237 or Sony GP compliant or per directive 2002/95/EC for RoHS compliant.



PCB Holes Diagram  
Main View



**SPECIFICATION**  
 1. Rating : DC 30V 0.5A  
 2. Contact resistance:  $\leq 50m\Omega$   
 3. Insulation resistance:  $>100M\Omega$  (DC250V)  
 4. Withstand voltage: 250VAC  
 5. Insertion and extraction force: 3-25N  
 6. Life test: 1,000 cycles

NO.	PART NAME	QTY	MATERIAL	REMARK
1	SHIELD	1	Stainless Steel t=0.2	
2	SPRING TERMINAL	2	Q5n6.5-0.1Y PHOSPHOR BRONZE t=0.3	CuSn-Plated
3	BREAK TERMINAL	2	H62 BRASS t=0.4	CuSn-Plated
4	TERMINAL	3	H62 BRASS t=0.4	CuSn-Plated
5	OUTER CONTACT	5	H62 BRASS t=0.35	CuSn-Plated
6	WASHER	5	PBT 4815(94V-0)(CHANG CHUN PLASTICS)	See Color Type
7	HOUSING	1	PBT 4815(94V-0)(CHANG CHUN PLASTICS)	Block

TOLERANCE		APPROVALS		TITLE		PART No.	
X	$\pm 0.30$	DESIGNED	DATE	RCA JACK		Amphenol Corporation	
XX	$\pm 0.20$	CHECKED	04/13/2009	VERTICAL, DIP TYPE		Amphenol Taiwan Corporation	
XXX	$\pm 0.10$	APPROVED	04/13/2009			GMSBXXXXXXXXXEU	
X,XXX	$\pm 1^*$	DWG TYPE	CUST DWG	UNIT		SCALE	
				mm		NA	
				A3		1 OF 1	
				DRAWN		PART No.	
				OTHER		GMSBXXXXXXXXXEU	
				DRAWN		GMSBXXXXXXXXXEU	
				DATE		DATE	
				04/13/2009		04/13/2009	
				DRAWN		DATE	
				04/13/2009		04/13/2009	
				DRAWN		DATE	
				04/13/2009		04/13/2009	
				DRAWN		DATE	
				04/13/2009		04/13/2009	
				DRAWN		DATE	
				04/13/2009		04/13/2009	
				DRAWN		DATE	
				04/13/2009		04/13/2009	
				DRAWN		DATE	
				04/13/2009		04/13/2009	

SYM	EQN No.	DESCRIPTION	DATE	APPROVED
AX1	MS05	REVISIONS		XXX
		PROPOSAL DNL Y 1X/XX/2008		

1 2 3 4 5 6 7 8