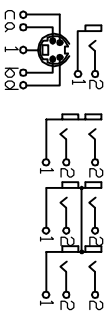
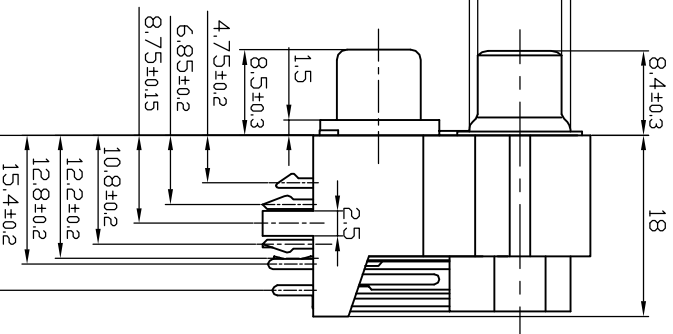
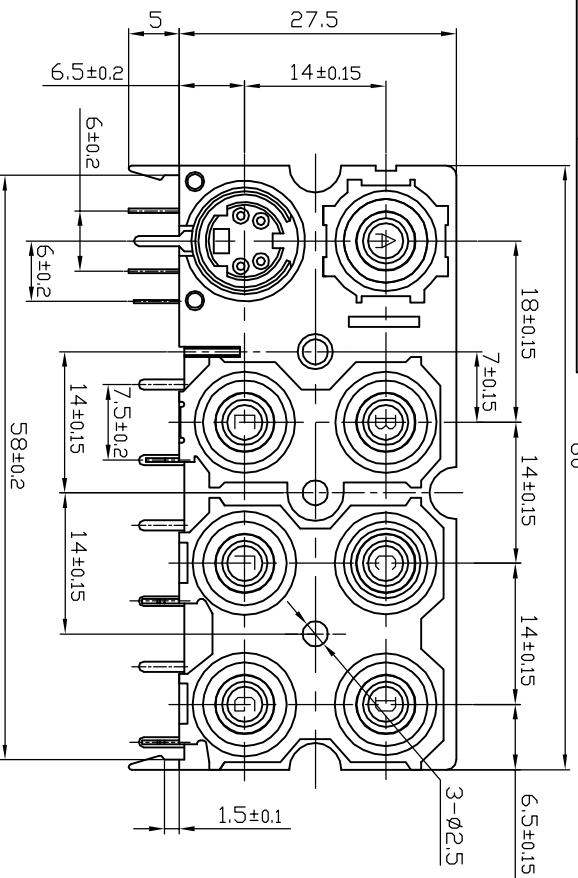
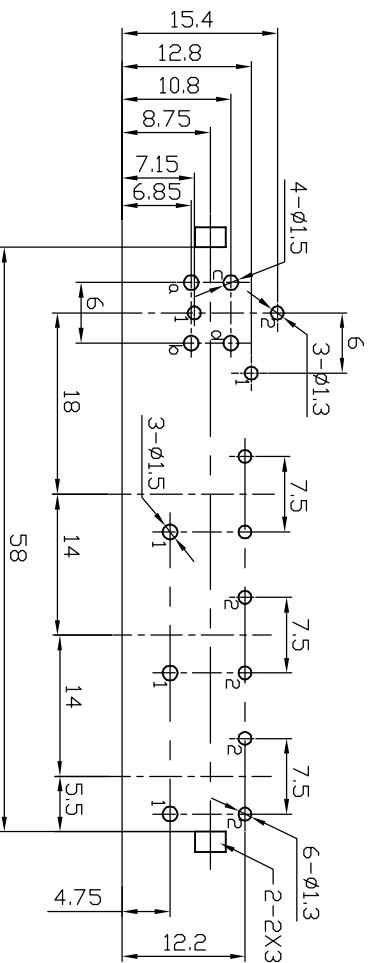


This document is the property of Amphenol Corporation and is delivered on the express condition that it is not to be disclosed, reproduced or used in whole or in part, for manufacture or sale by anyone other than Amphenol Corporation without its prior consent, and that no right is granted to disclose or to use any information in this document. The marking on this product does not contain environmental hazardous materials per Hazardous Substances Specification 35-0023 for Sony or compliant per directive 2002/95/EC for RoHS compliance.



PCB Holes Diagram



PCB Holes Diagram
Top View

SPECIFICATION

1. Rating : DC 30V 0.5A
2. Contact resistance: $\leq 50\text{m}\Omega$
3. Insulation resistance: $>100\text{M}\Omega$ (DC250V)
4. Withstand voltage: 250VAC
5. Insertion and extraction force: 3-25N
6. Life test: 1,000 cycles

APPROVALS

DESIGNED	CHECKED	APPROVED	DATE	DATE
Roger Tsai	Daniel Hsieh	Daniel Hsieh	04/13/2009	04/13/2009
DRAWN			DATE	
APPROVALS			TITLE	
DRAWN			TITLE	
APPROVALS			DATE	
DRAWN			DATE	

SYM	ECN No.	DESCRIPTION	DATE	APPROVED
AX1	MD/0V	PROPOSAL ONLY (XX/XX/2008)	XXX	XXX
REVISIONS		DATE		APPROVED
SYM		DESCRIPTION	DATE	APPROVED
AX1		MD/0V	PROPOSAL ONLY (XX/XX/2008)	XXX

UNT	SCALE	SHEET	DWG No.	REV
mm	1:1	OF 1	GMSBXXXXXXXEU	AX1

Amphenol
Amphenol Corporation
Amphenol Taiwan Corporation

BLACK

REMARK

TERMINAL

QUANTITY

MATERIAL

PART NAME

1 HOUSING

2 WASHER

3 OUTER CONTACT-4

4 OUTER CONTACT-2

5 TERMINAL-RS

6 TERMINAL-RL

7 OUTER CONTACT

8 TERMINAL

9 TERMINAL-GND

10 OUTER CONTACT-D

11 TERMINAL-DRS

12 TERMINAL-DLS

13 TERMINAL-DLL

14 TERMINAL-DRL