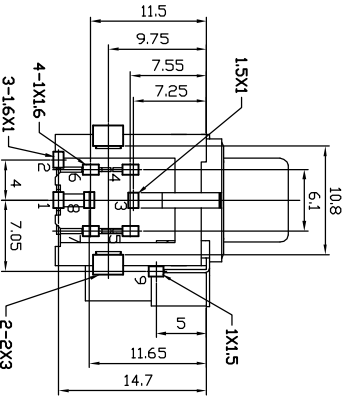
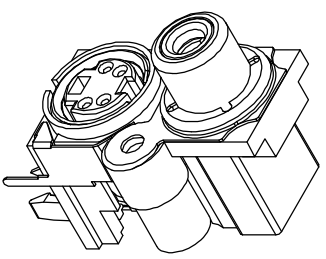
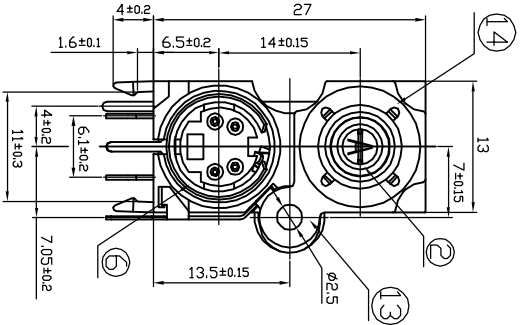
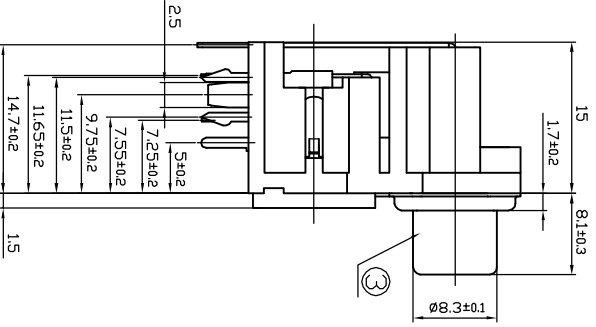
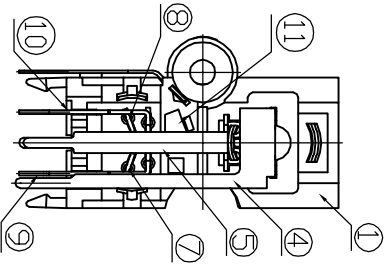
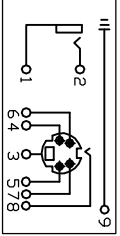


This document is the property of Amphenol Corporation and is delivered on the express condition that it is not to be disclosed, reproduced or used in whole or in part, for manufacture or sale by anyone other than Amphenol Corporation without its prior consent, and that no right is granted to disclose or to use any information in this document. The marking on this product doesn't contain environmental hazardous materials per Hazardous Specification SS-00295 for Sony or compliant or per directive 2002/95/EC for RoHS compliance.



PCB Holes Diagram  
Bottom View



**SPECIFICATION**  
 1. Rating : DC 30V 0.5A  
 2. Contact resistance:  $\leq 50m\Omega$   
 3. Insulation resistance:  $>100M\Omega$  (DC250V)  
 4. Withstand voltage: 250VAC  
 5. Insertion and extraction force: 3-25N  
 6. life test: 1,000 cycles

NO.	TERMINAL	QTY	MATERIAL	REMARK
13	SHIELD	1	H62Y $\pm 0.3$	CuSn-Plated
12	TERMINAL-S-E2	1	H62Y $\pm 0.3$	CuSn-Plated
11	TERMINAL-S-E1	1	OSR65-01Y $\pm 0.3$	CuSn-Plated
10	TERMINAL-S-RL	7	H62Y $\pm 0.4$	Ag-Plated
9	TERMINAL-S-LL	6	H62Y $\pm 0.4$	Ag-Plated
8	TERMINAL-S-RS	5	H62Y $\pm 0.4$	Ag-Plated
7	TERMINAL-S-LS	4	H62Y $\pm 0.4$	Ag-Plated
6	OUTER CONTACT-S	3	H62M $\pm 0.3$	CuSn-Plated
5	TERMINAL-E	1	H62Y $\pm 0.4$	CuSn-Plated
4	TERMINAL	2	H62Y $\pm 0.4$	CuSn-Plated
3	OUTER CONTACT	1	H62M $\pm 0.3$	CuSn-Plated
2	WASHER	1	ABS 777D	See Color Type
1	HOUSING	1	ABS 777D	Black

TOLERANCE	DRAWN	APPROVALS	DATE
X	DESIGNED	Roger Tsai	04/13/2009
XX	CHECKED	Daniel Hsieh	04/13/2009
XXX	APPROVED	Honk Hsu	04/13/2009
X,XXX	DATE TYPE	CUST DWG	PRODUCT OTHER

RCA JACK  
VERTICAL, DIP TYPE

**Amphenol**  
 Amphenol Corporation  
 Amphenol Taiwan Corporation

UNIT	SCALE	SHEET	PART NO.	DWG NO.	REV
mm	NA	1 OF 1	GMSBXXXXXXXXXEU	GMSBXXXXXXXXXEU	AXI

SYM	ECON No.	DESCRIPTION	DATE	APPROVED
AXI	MS9-4P	PROPOSAL DNL Y 100/00/2008	XXX	

REVISIONS