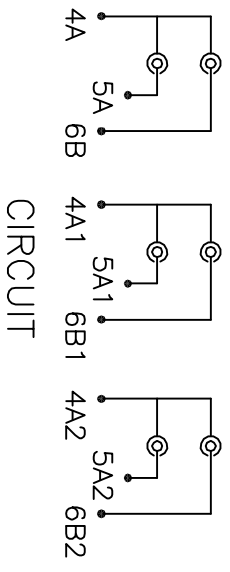
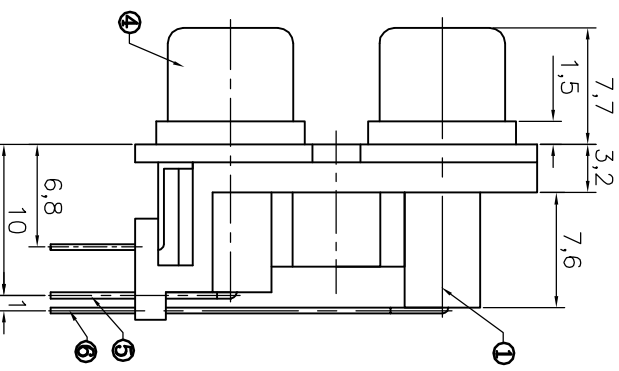
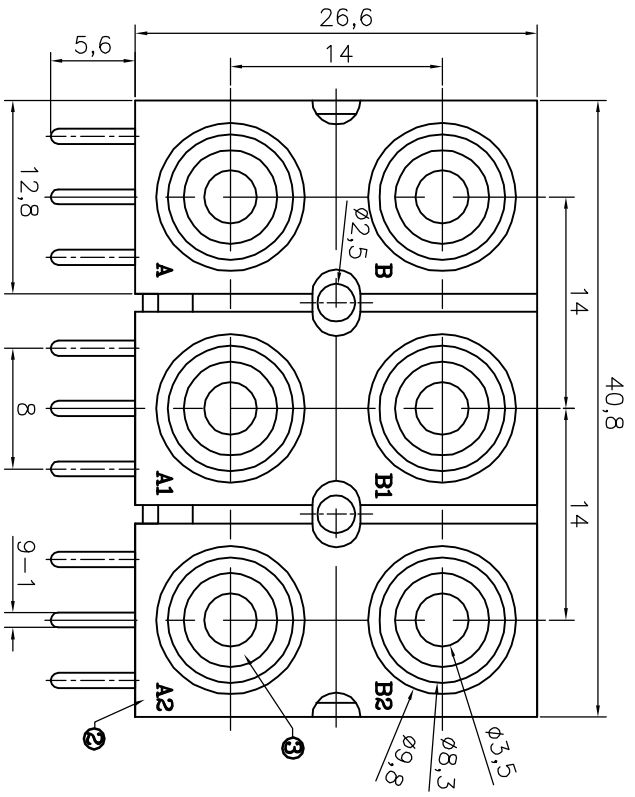
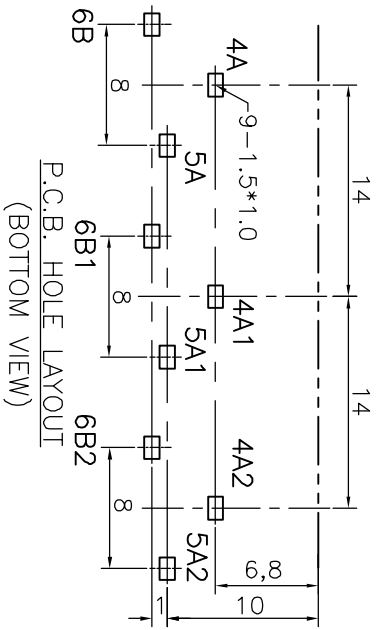


This document is the property of Amphenol Corporation and is delivered on the express condition that it not be disclosed, reproduced or used in whole or in part, for manufacture or sale by anyone other than Amphenol Corporation without its prior consent, and that no right is granted to disclose or to use any information in this document. The marking on this product doesn't contain environmental hazardous materials per Halstead Specification 35-0029 for Sony or compliant or per directive 2002/95/EC for RoHS compliant.



SPECIFICATION
 1. Rating : DC 30V 0.5A
 2. Contact resistance: $\leq 50m\Omega$
 3. Insulation resistance: $>100M\Omega$ (DC250V)
 4. Withstand voltage: 250VAC
 5. Insertion and extraction force: 3-25N
 6. Life test: 1,000 cycles



NO.	NAME	MATERIAL	FINISH
6	TERMINAL 2	PHOSPHOR BRONZE	t=0.4 Sn PLATED
5	TERMINAL 1	PHOSPHOR BRONZE	t=0.4 Sn PLATED
4	EARTH BODY	BRASS	t=0.4 Ni PLATED
3	INSULATOR	ABS	SEE COLOR
2	COVER	POM	BLACK
1	BODY	ABS	BLACK
			FINISH

TOLERANCE	DRAWN	APPROVALS	DATE	TITLE
X, ±0.30	DESIGNED	Roger Tsai	04/13/2009	RCA JACK
XX, ±0.20	CHECKED	Daniel Hsieh	04/13/2009	VERTICAL, DIP TYPE
XXX, ±0.10	APPROVED	Honk Hsu	04/13/2009	
X,XXX	UNLESS OTHERWISE SPECIFIED			

UNIT	SIZE	PART No.
mm	A3	GMSBXXXXXXXXXEU
SCALE	1 OF 1	DWG No. GMSBXXXXXXXXXEU

Amphenol
 Amphenol Corporation
 Amphenol Taiwan Corporation

SYM	ECN No.	DESCRIPTION	DATE	APPROVED
AX1	MEMO	PROPOSAL DNL Y 1XX/XX/2008	XXX	

REVISIONS