

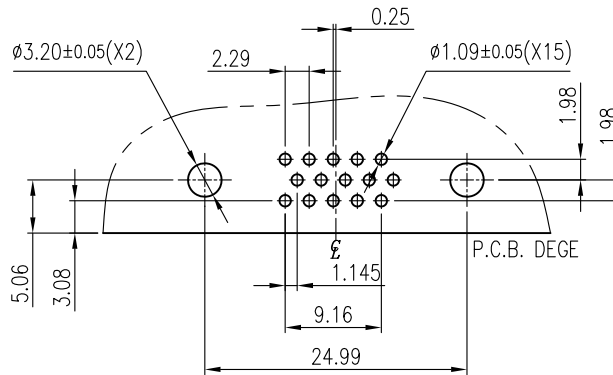
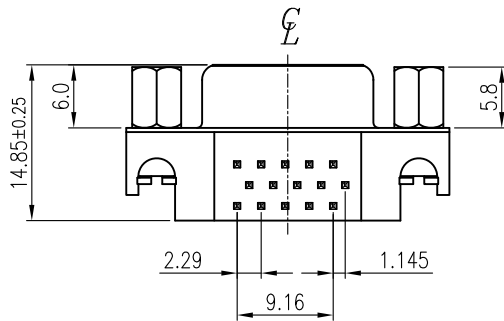
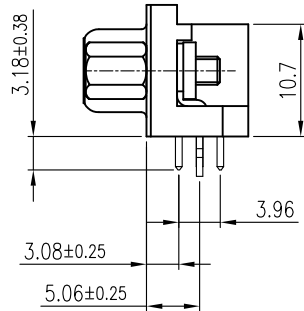
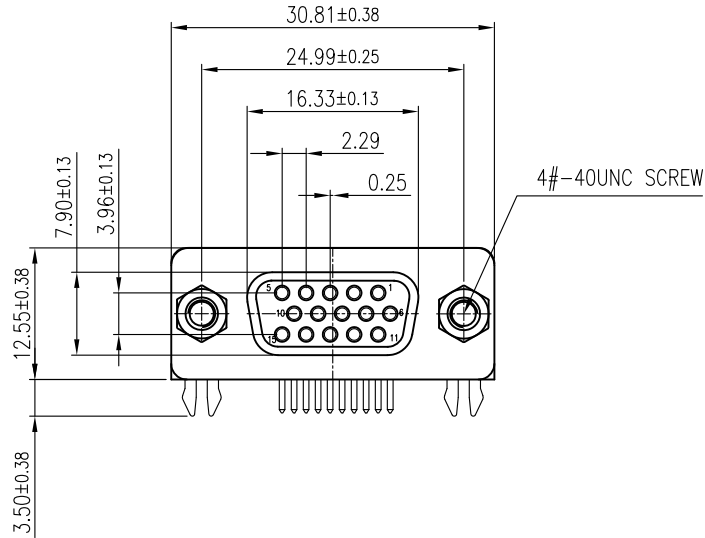
This document is the property of Amphenol Corporation and is delivered on the express condition that is not to be disclosed, reproduced or used, in whole or in part, for manufacture or sale by anyone other than Amphenol Corporation without its prior consent, and that no right is granted to disclose or to use any information in this document.

The marking on this product doesn't contain environmental hazardous materials per Material Specification 55-00259 for Sony GP compliant or per directive 2002/95/EC for RoHS compliant.

REVISIONS				
SYM	ECN No.	DESCRIPTION	DATE	APPROVED
AX1		NON-RELEASE REVISION	05/13/2009	Roger Tsai

PART NO. G17AH150X232PHF

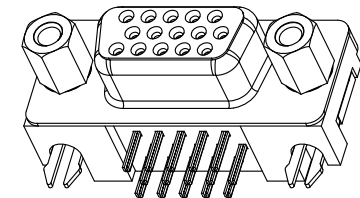
CONTACT FINISH  
 O: GOLD FLASH  
 1: 15 μ" GOLD  
 2: 30 μ" GOLD



RECOMMENDED P.C.B. LAYOUT

NOTES:

- MATERIAL:
  - HOUSING: THERMOPLASTIC, UL 94V-0, COLOR: BLUE.
  - COVER: THERMOPLASTIC, UL 94V-0, COLOR: BLUE.
  - TERMINAL: COPPER ALLOY.
  - SHELL: SPCC.
  - BOARDLOCK: COPPER ALLOY.
  - RIVET & SCREW: COPPER ALLOY.
- FINISH:
  - TERMINAL:
    - CONTACT AREA: SELECTED GOLD PLATING;
    - SOLDER TAIL: TIN PLATING 100 μ" MINIMUM;
    - UNDER PLATING: NICKEL PLATING 50 μ" MINIMUM OVERALL.
  - SHELL: NICKEL PLATING 80 μ" MINIMUM OVER CU 60 μ" MINIMUM
  - BOARDLOCK: TIN PLATING 100 μ" MINIMUM OVER NICKEL 50 μ" MINIMUM
  - RIVET & SCREW: NICKEL PLATING 80 μ" MINIMUM OVER CU 60 μ" MINIMUM
- PRODUCT SPECIFICATION REFER TO : PS-7412.
- TEST SUMMARY REFER TO : TS-7412.
- PACKAGING SPECIFICATION REFER TO : PK-PKS-G17AH150X232PEU.
- PACKING IS PER AMTA PACKING SPECIFICATION PKS-0001.
- THIS PRODUCT IS LEAD-FREE & RoHS COMPLIANT PRODUCT.



**PRELIMINARY RELEASE  
 SUBJECT TO CHANGE**

TOLERANCE	APPROVALS	DATE	TITLE	UNIT	SIZE	PART No.
X. ±0.30	DRAWN Roger Tsai	05/13/2009	D-SUB H/D FOOTPRINT 3.08 MM , 15P RIGHT ANGLE TYPE (HALOGEN FREE)	mm	A3	G17AH150X232PHF
X.X ±0.20	CHECKED Daniel Hsieh	05/13/2009		SCALE NA	SHEET 1 OF 1	
X.XXX ±0.10	APPROVED Roger Tsai	05/13/2009		PROJECT CODE DSUB		REV. AX1
ANGULAR ±1°	DWG TYPE CUST DWG					
UNLESS OTHERWISE SPECIFIED						

**Amphenol**®  
 Amphenol Corporation  
 Amphenol Taiwan Corporation