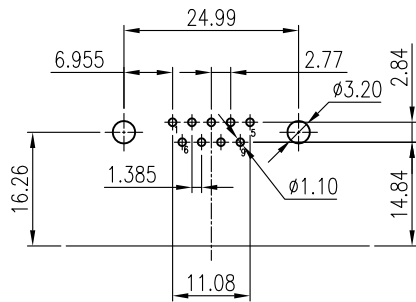
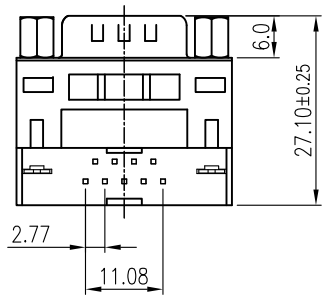
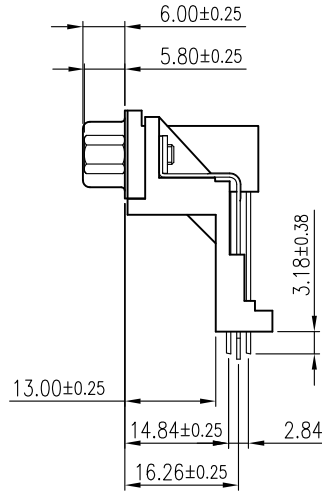
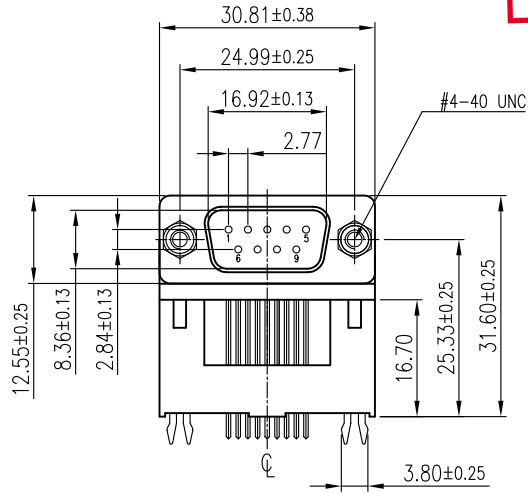


This document is the property of Amphenol Corporation and is delivered on the express condition that is not to be disclosed, reproduced or used, in whole or in part, for manufacture or sale by anyone other than Amphenol Corporation without its prior consent, and that no right is granted to disclose or to use any information in this document.

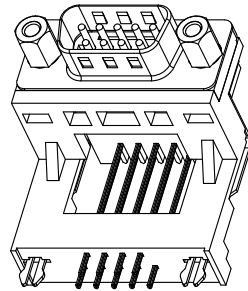
The marking on this product doesn't contain environmental hazardous materials per Material Specification 55-00259 for Sony GP compliant or per directive 2002/95/EC for RoHS compliant.

REVISIONS				
SYM	ECN No.	DESCRIPTION	DATE	APPROVED
A		RELEASE TO PRODUCTION	10/20/2009	Roger Tsai
BX1		ADD PCB LAYOUT PIN ASSIGNMENT	11/02/2009	Roger Tsai

**PRELIMINARY RELEASE
SUBJECT TO CHANGE**



RECOMMENDED PCB LAYOUT
TOLERANCE: ±0.05 MM



NOTES:

- MATERIAL:
HOUSING: HIGH TEMPERATURE THERMAL PLASTIC, PBT, UL94V-0, COLOR: GREEN.
COVER: HIGH TEMPERATURE THERMAL PLASTIC, PBT, UL94V-0, COLOR: GREEN.
TERMINAL: COPPER ALLOY.
SHELL: SPCC.
BOARDLOCK: COPPER ALLOY.
RIVET & SCREW: COPPER ALLOY.
- FINISH:
TERMINAL:
CONTACT AREA: SELECTED GOLD PLATING;
SOLDERING AREA: TIN PLATING 100 μ" THICKNESS MIN.;
UNDER PLATING: NICKEL PLATING 50 μ" THICKNESS MIN. OVERALL.
SHELL:
NICKEL PLATING 80 μ" MINIMUM OVER CU 60 μ" MINIMUM
BOARDLOCK:
TIN PLATING 100 μ" MINIMUM OVER NICKEL 50 μ" MINIMUM
RIVET & SCREW:
NICKEL PLATING 80 μ" MINIMUM OVER CU 60 μ" MINIMUM
- PRODUCT SPECIFICATION REFER TO : PS-7412.
- TEST SUMMARY REFER TO : TS-7412.
- PACKAGING SPECIFICATION REFER TO : PKS-G17H21AX121EU.
- PACKING IS PER AMTA PACKING SPECIFICATION PKS-0001.
- THIS PRODUCT IS LEAD-FREE & RoHS COMPLIANT PRODUCT.

PART NO. G17H21AX121EU
CONTACT FINISH
0: GOLD FLASH
1: 15 μ" GOLD
2: 30 μ" GOLD

TOLERANCE	APPROVALS	DATE	TITLE		Amphenol®	
X. ±0.30	DRAWN Roger Tsai	11/02/2009	G17H SERIES D-SUB 9 PIN MALE, HIGH RAISE TYPE		Amphenol Corporation Amphenol Taiwan Corporation	
X.X ±0.20	CHECKED Daniel Hsieh	11/02/2009				
X.XXX ±0.10	APPROVED Roger Tsai	11/02/2009				
ANGULAR ±1°	DWG TYPE CUST DWG	PROJECT CODE DSUB	UNIT mm	SIZE A3	PART No. G17H21AX121EU	
UNLESS OTHERWISE SPECIFIED			SCALE NA	SHEET 1 OF 1	DWG No. G17H21AX121EU REV. BX1	