

This document is the property of Amphenol Corporation and is delivered on the express condition that it is not to be disclosed, reproduced or used, in whole or in part, for manufacture or sale by anyone other than Amphenol Corporation without its prior consent, and that no right is granted to disclose or to use any information in this document.

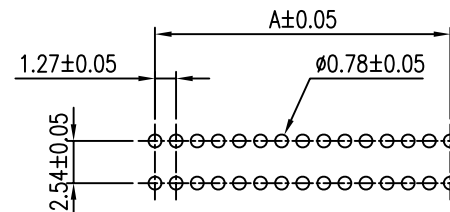
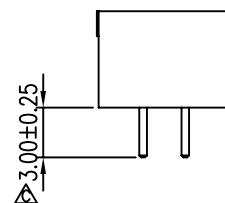
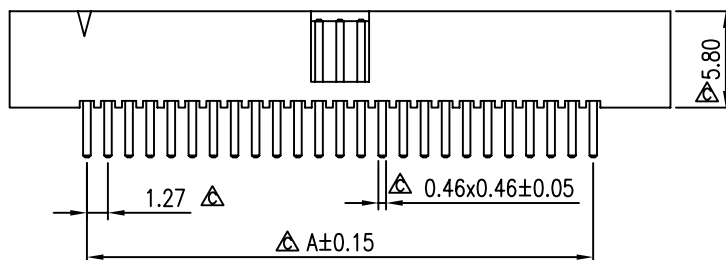
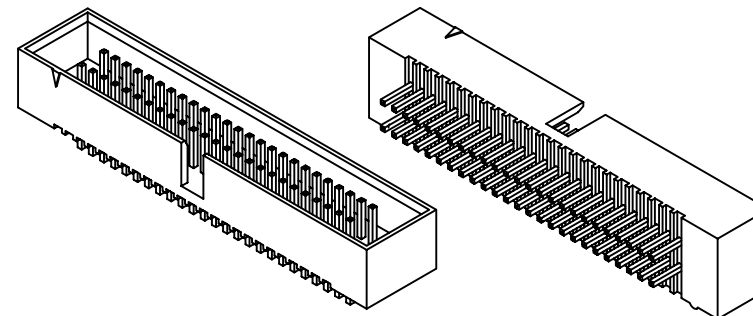
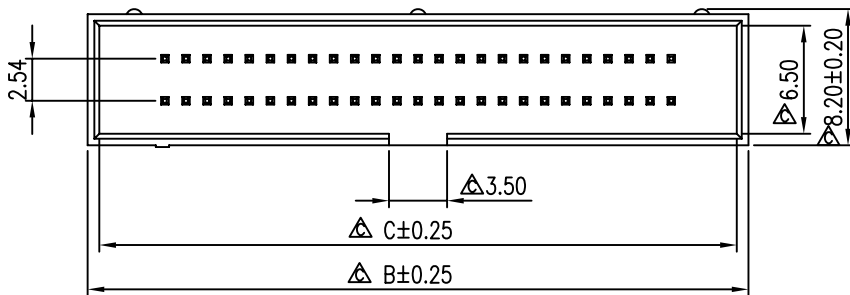
The marking on this product doesn't contain environmental hazardous materials per Material Specification SS-00259 for Sony GP compliant or per directive 2002/95/EC for RoHS compliant.



CUSTOMER DRAWING
ORIGINAL



| REVISIONS | | | | |
|-----------|----------|-------------------------------------|------------|---------------|
| SYM | ECN No. | DESCRIPTION | DATE | APPROVED |
| F | NE-06184 | ADDING THE CRITICAL DIMENSION MARKS | 06/28/2006 | Armstrong Kao |
| A1 | NE-07280 | MODIFIED DRAWING | 06/12/2007 | Hank Hsu |



RECOMMENDED PCB LAYOUT

| | | | |
|--------------|-------|-------|-------|
| 50 x 2 = 100 | 62.23 | 71.52 | 70.12 |
| 40 x 2 = 80 | 49.53 | 58.82 | 57.42 |
| 34 x 2 = 68 | 41.91 | 51.20 | 49.80 |
| 30 x 2 = 60 | 36.83 | 46.12 | 44.72 |
| 25 x 2 = 50 | 30.48 | 39.77 | 38.37 |
| 22 x 2 = 44 | 26.67 | 35.96 | 34.56 |
| 20 x 2 = 40 | 24.13 | 33.42 | 32.02 |
| 17 x 2 = 34 | 20.32 | 29.61 | 28.21 |
| 15 x 2 = 30 | 17.78 | 27.07 | 25.67 |
| 13 x 2 = 26 | 15.24 | 24.53 | 23.13 |
| 10 x 2 = 20 | 11.43 | 20.72 | 19.32 |
| 8 x 2 = 16 | 8.89 | 18.18 | 16.78 |
| 7 x 2 = 14 | 7.62 | 16.91 | 15.51 |
| 5 x 2 = 10 | 5.08 | 14.37 | 12.97 |
| 4 x 2 = 8 | 3.81 | 13.10 | 11.70 |
| NO. OF POS. | A | B | C |

NOTES:

- INSULATOR: NYLON 6T, UL 94V-0, COLOR- BLACK OR GRAY
- CONTACT: BRASS, SELECTIVE GOLD OVER NICKEL PLATED
- THIS PRODUCT DOESN'T CONTAIN ENVIRONMENTAL HAZARDOUS MATERIALS PER DIRECTIVE 2002/95/EC
- THE PRODUCT MUST BE FOR DIP PROCESS ONLY
- △ IS CRITICAL DIMENSIONS
- PACKING IS PER Amphenol PACKING SPECIFICATION PKS-0001

| TOLERANCE m/m | APPROVALS | DATE | TITLE | | Amphenol® | |
|----------------------------|-----------------------|----------|----------------------|----------------------------|---|--|
| x. ±0.30 | DRAWN Sondra Sang | 06/12/07 | G845 SERIES | | Amphenol Corporation Amphenol Taiwan Corporation | |
| x.x ±0.25 | | | BOX HEADER | | | |
| x.xx ±0.15 | CHECKED Chenny Yeh | 06/12/07 | 1.27 x 2.54 MM PITCH | | SCALE N.A. SHEET 1 OF 1 | |
| x.xxx ±0.08 | APPROVED Hank Hsu | 06/12/07 | STR. PCB MOUNT | | REV. A1 | |
| ANGULAR ±2' | | | SIZE A4 | PART NO. G845B XXX X1X GEU | DWG NO. BHD-G845BXXXX1XGEU-14 | |
| UNLESS OTHERWISE SPECIFIED | MM | | | | | |