

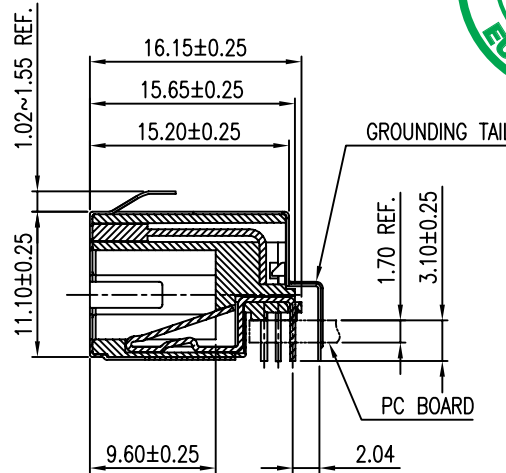
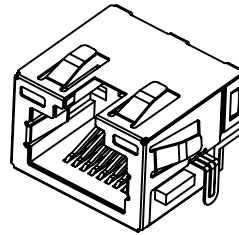
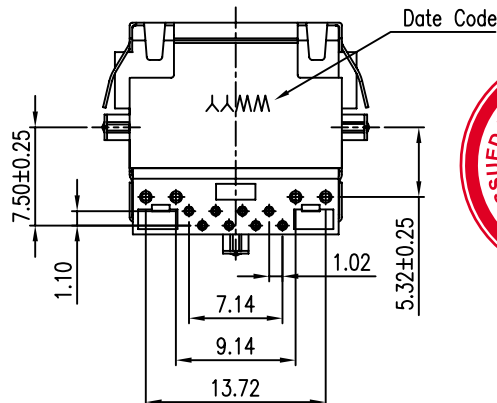
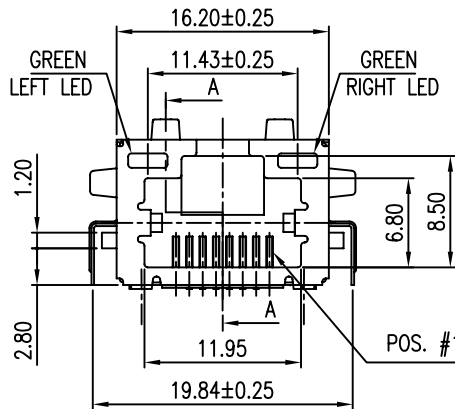
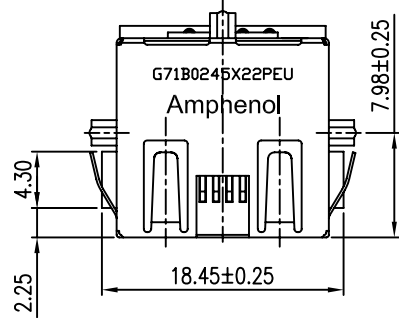
This document is the property of Amphenol Corporation and is delivered on the express condition that is not to be disclosed, reproduced or used, in whole or in part, for manufacture or sale by anyone other than Amphenol Corporation without its prior consent, and that no right is granted to disclose or to use any information in this document.

The marking on this product doesn't contain environmental hazardous materials per Material Specification SS-00259 for Sony GP compliant or per directive 2002/95/EC for RoHS compliant.

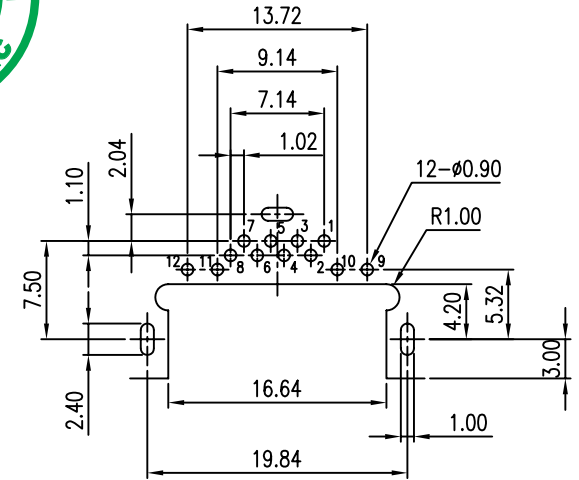
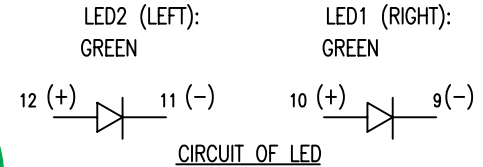
CUSTOMER DRAWING

REVISIONS				
SYM	ECN No.	DESCRIPTION	DATE	APPROVED
A		Release to Customer Approve	Jun.04.2009	Jason Zhan

ORIGINAL



SECTION A-A



RECOMMENDED PCB LAYOUT (TOP VIEW)
(ALL TOLERANCES ARE ±0.05)

NOTES:

- INSULATOR: LCP, UL 94V-0, COLOR- BLACK
- CONTACT: COPPER ALLOY, 0.35 MM THICKNESS, SELECTIVE GOLD PLATED ON CONTACT AREA, 100u" MIN. MATTE TIN PLATED ON SOLDERING AREA, 50u" MIN. NICKEL UNDER-PLATING OVERALL
- SHELL: COPPER ALLOY, 0.25 MM THICKNESS, 50u" MIN. NICKEL PLATED OVERALL
- LED MUST BE THE HIGH TEMPERATURE MATERIAL(IR reflow 280°C 10Sec.)
- THIS PRODUCT DOESN'T CONTAIN ENVIRONMENTAL HAZARDOUS MATERIALS PER DIRECTIVE 2002/95/EC FOR RoHS COMPLIANT.



G71B 0245 4 22 PEU	50μ"
G71B 0245 3 22 PEU	30μ"
G71B 0245 2 22 PEU	15μ"
G71B 0245 1 22 PEU	6μ"
PART NUMBER	FINISH

TOLERANCE	APPROVALS	DATE	TITLE	UNIT	SIZE	PART No.
X. ±0.30	DRAWN Alex Zhong	Jun.04.09	MODULAR JACK, 8P8C, DIP TYPE	mm	A3	G71B 0245 X22 PEU
X.X ±0.20	CHECKED Stone Lee	Jun.04.09	SIDE ENTRY, W/SH & LED	SCALE	SHEET	
X.XXX ±0.10	APPROVED Jason Zhan	Jun.04.09	SLIM TYPE, TAPE & REEL PACKING	NA	1 OF 2	G71B0245X22PEU
ANGULAR ±1°	DWG TYPE CUST DWG	PROJECT CODE RJMG				
UNLESS OTHERWISE SPECIFIED						

Amphenol[®]
Amphenol Corporation
Amphenol Taiwan Corporation

This document is the property of Amphenol Corporation and is delivered on the express condition that is not to be disclosed, reproduced or used, in whole or in part, for manufacture or sale by anyone other than Amphenol Corporation without its prior consent, and that no right is granted to disclose or to use any information in this document.

The marking on this product doesn't contain environmental hazardous materials per Material Specification SS-00259 for Sony GP compliant or per directive 2002/95/EC for RoHS compliant.

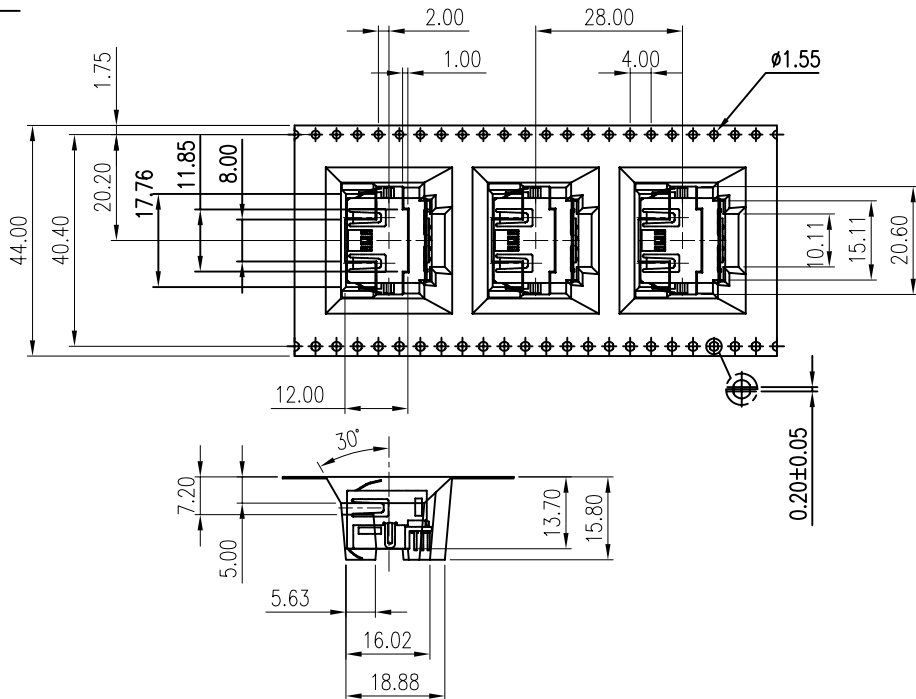
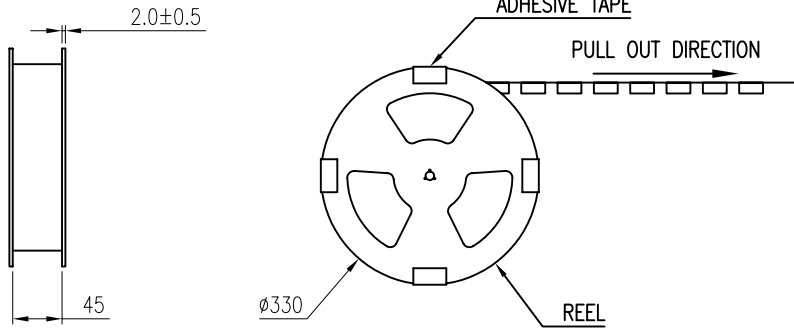
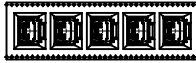


CUSTOMER DRAWING

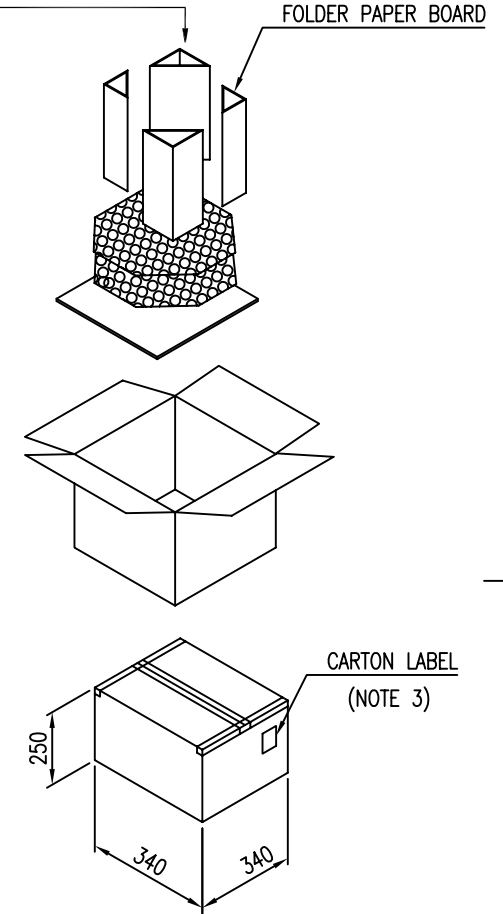


REVISIONS				
SYM	ECN No.	DESCRIPTION	DATE	APPROVED
A		Release to Customer Approve	Jun.04.2009	Jason Zhan

ORIGINAL



TATOL 5 REELS



NOTES:

1. PRIMARY PACKING: 120 PCS/ PER REEL
2. SECONDARY PACKING: 5 REELS (600 PCS) / PER CARTON
3. THE LABELS MUST BE SHOWN Amphenol P/N & QUANTITY
4. THIS PRODUCT DOESN'T CONTAIN ENVIRONMENTAL HAZARDOUS MATERIALS PER DIRECTIVE 2002/95/EC FOR RoHS COMPLIANT.

APPROVALS	DATE	MODULAR JACK, 8P8C, DIP TYPE SIDE ENTRY, W/SH & LED SLIM TYPE, TAPE & REEL PACKING				Amphenol® Amphenol Corporation Amphenol Taiwan Corporation			
DRAWN Alex Zhong	Jun.04.09					UNIT mm	SIZE A3	PART No. G71B 0245 X22 PEU	
CHECKED Stone Lee	Jun.04.09	SCALE NA	SHEET 2 OF 2	DWG No. G71B0245X22PEU	REV. A				
APPROVED Jason Zhan	Jun.04.09	PROJECT CODE RJMG							
DWG TYPE CUST DWG									