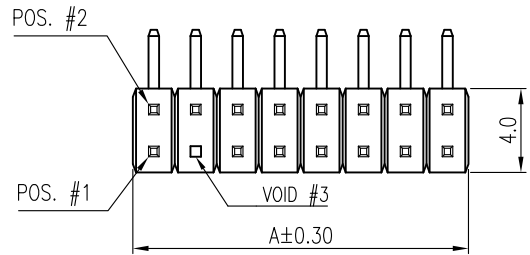


This document is the property of Amphenol Corporation and is delivered on the express condition that is not to be disclosed, reproduced or used, in whole or in part, for manufacture or sale by anyone other than Amphenol Corporation without its prior consent, and that no right is granted to disclose or to use any information in this document.

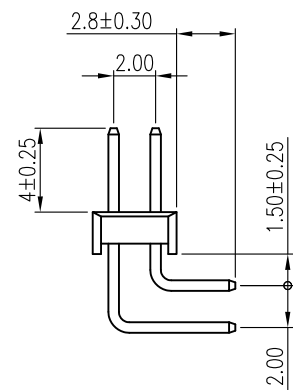
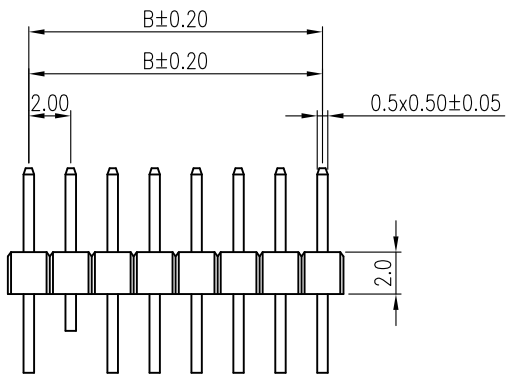
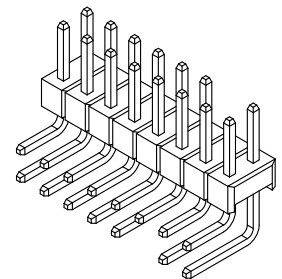
The marking on this product doesn't contain environmental hazardous materials per Material Specification 55-00259 for Sony GP compliant or per directive 2002/95/EC for RoHS compliant.

REVISIONS				
SYM	ECN No.	DESCRIPTION	DATE	APPROVED
AX1		NON-RELEASE REVISION	06/08/2009	Roger Tsai

G825 080 21X03YEU	2 x 40 = 80	80.00	78.00
G825 078 21X03YEU	2 x 39 = 78	78.00	76.00
G825 076 21X03YEU	2 x 38 = 76	76.00	74.00
G825 074 21X03YEU	2 x 37 = 74	74.00	72.00
G825 072 21X03YEU	2 x 36 = 72	72.00	70.00
G825 070 21X03YEU	2 x 35 = 70	70.00	68.00
G825 068 21X03YEU	2 x 34 = 68	68.00	66.00
G825 066 21X03YEU	2 x 33 = 66	66.00	64.00
G825 064 21X03YEU	2 x 32 = 64	64.00	62.00
G825 062 21X03YEU	2 x 31 = 62	62.00	60.00
G825 060 21X03YEU	2 x 30 = 60	60.00	58.00
G825 058 21X03YEU	2 x 29 = 58	58.00	56.00
G825 056 21X03YEU	2 x 28 = 56	56.00	54.00
G825 054 21X03YEU	2 x 27 = 54	54.00	52.00
G825 052 21X03YEU	2 x 26 = 52	52.00	50.00
G825 050 21X03YEU	2 x 25 = 50	50.00	48.00
G825 048 21X03YEU	2 x 24 = 48	48.00	46.00
G825 046 21X03YEU	2 x 23 = 46	46.00	44.00
G825 044 21X03YEU	2 x 22 = 44	44.00	42.00
G825 042 21X03YEU	2 x 21 = 42	42.00	40.00
G825 040 21X03YEU	2 x 20 = 40	40.00	38.00
G825 038 21X03YEU	2 x 19 = 38	38.00	36.00
G825 036 21X03YEU	2 x 18 = 36	36.00	34.00
G825 034 21X03YEU	2 x 17 = 34	34.00	32.00
G825 032 21X03YEU	2 x 16 = 32	32.00	30.00
G825 030 21X03YEU	2 x 15 = 30	30.00	28.00
G825 028 21X03YEU	2 x 14 = 28	28.00	26.00
G825 026 21X03YEU	2 x 13 = 26	26.00	24.00
G825 024 21X03YEU	2 x 12 = 24	24.00	22.00
G825 022 21X03YEU	2 x 11 = 22	22.00	20.00
G825 020 21X03YEU	2 x 10 = 20	20.00	18.00
G825 018 21X03YEU	2 x 9 = 18	18.00	16.00
G825 016 21X03YEU	2 x 8 = 16	16.00	14.00
G825 014 21X03YEU	2 x 7 = 14	14.00	12.00
G825 012 21X03YEU	2 x 6 = 12	12.00	10.00
G825 010 21X03YEU	2 x 5 = 10	10.00	8.00
G825 008 21X03YEU	2 x 4 = 8	8.00	6.00
G825 006 21X03YEU	2 x 3 = 6	6.00	4.00
G825 004 21X03YEU	2 x 2 = 4	4.00	2.00

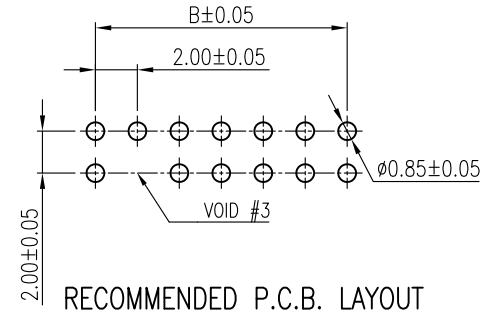


PART NO. G825XXX21X03YEU
 NO. OF CIRCUIT — CONTACT FINISH
 0: FULL GOLD FLASH
 1: GOLD FLASH
 2: 15 μ" GOLD
 3: 30 μ" GOLD



**PRELIMINARY RELEASE
 SUBJECT TO CHANGE**

- NOTES:**
- MATERIAL:**
 HOUSING: HIGH TEMPERATURE THERMAL PLASTIC, LCP, UL94V-0, COLOR: BLACK.
 TERMINAL: CPOOER ALLOY.
 - FINISH:**
 TERMINAL:
 CONTACT AREA: SELECTED GOLD PLATING;
 SOLDERING AREA: TIN PLATING 100 μ" THICKNESS MIN.;
 UNDER PLATING: NICKEL PLATING 50 μ" THICKNESS MIN. OVERALL.
 - PACKING IS PER AMTA PACKING SPECIFICATION PKS-0001.
 - THIS PRODUCT DOESN'T CONTAIN ENVIRONMENTAL HAZARDOUS PER DIRECTIVE 2002/95/EC FOR RoHS COMPLIANT.



TOLERANCE	APPROVALS	DATE	TITLE	Amphenol® Amphenol Corporation Amphenol Taiwan Corporation		
X. ±0.30	DRAWN Roger Tsai	06/08/2009	PCB HEADER 2.0MM PITCH DUAL ROWS, RIGHT ANGLE PCB MOUNT, #3 VOID	UNIT mm	SIZE A3	PART No. G825XXX21X03YEU
X.X ±0.20	CHECKED Daniel Hsieh	06/08/2009				
X.XX ±0.10	APPROVED Roger Tsai	06/08/2009	UNLESS OTHERWISE SPECIFIED	SCALE NA	SHEET 1 OF 1	DWG No. G825XXX21X03YEU
ANGULAR ±1°	DWG TYPE CUST DWG	PROJECT CODE HEAD				