

This document is the property of Amphenol Corporation and is delivered on the express condition that it is not to be disclosed, reproduced or used, in whole or in part, for manufacture or sale by anyone other than Amphenol Corporation without its prior consent, and that no right is granted to disclose or to use any information in this document.

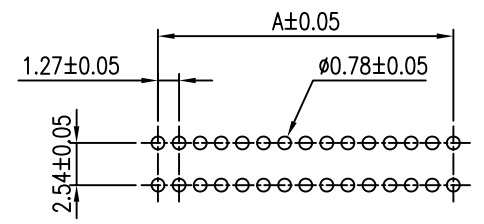
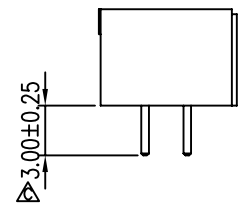
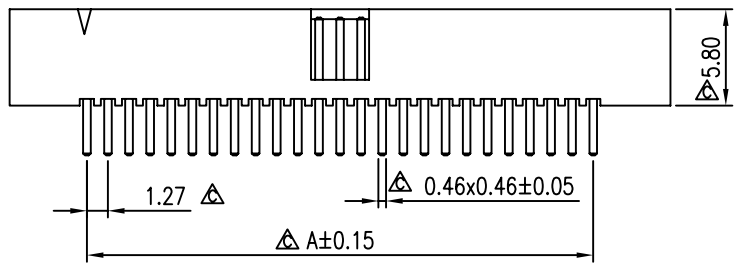
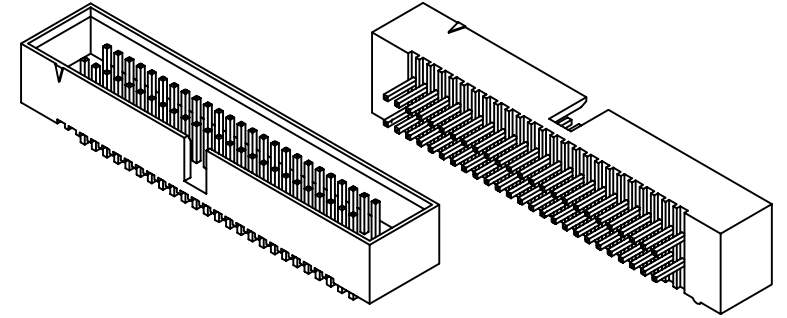
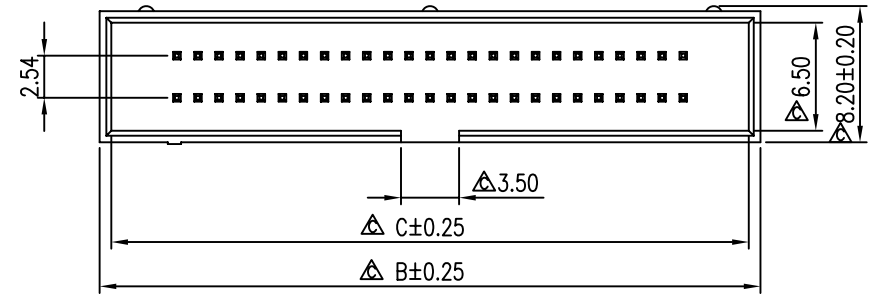
The marking on this product doesn't contain environmental hazardous materials per Material Specification SS-00259 for Sony GP compliant or per directive 2002/95/EC for RoHS compliant.



CUSTOMER DRAWING ORIGINAL



REVISIONS				
SYM	ECN No.	DESCRIPTION	DATE	APPROVED
F	NE-06184	ADDING THE CRITICAL DIMENSION MARKS	06/28/2006	Armstrong Kao
A1	NE-07280	MODIFIED DRAWING	06/12/2007	Hank Hsu



RECOMMENDED PCB LAYOUT

50 x 2 = 100	62.23	71.52	70.12
40 x 2 = 80	49.53	58.82	57.42
34 x 2 = 68	41.91	51.20	49.80
30 x 2 = 60	36.83	46.12	44.72
25 x 2 = 50	30.48	39.77	38.37
22 x 2 = 44	26.67	35.96	34.56
20 x 2 = 40	24.13	33.42	32.02
17 x 2 = 34	20.32	29.61	28.21
15 x 2 = 30	17.78	27.07	25.67
13 x 2 = 26	15.24	24.53	23.13
10 x 2 = 20	11.43	20.72	19.32
8 x 2 = 16	8.89	18.18	16.78
7 x 2 = 14	7.62	16.91	15.51
5 x 2 = 10	5.08	14.37	12.97
4 x 2 = 8	3.81	13.10	11.70
NO. OF POS.	A	B	C

NOTES:

- INSULATOR: NYLON 6T, UL 94V-0, COLOR- BLACK OR GRAY
- CONTACT: BRASS, SELECTIVE GOLD OVER NICKEL PLATED
- THIS PRODUCT DOESN'T CONTAIN ENVIRONMENTAL HAZARDOUS MATERIALS PER DIRECTIVE 2002/95/EC
- THE PRODUCT MUST BE FOR DIP PROCESS ONLY
- △ IS CRITICAL DIMENSIONS
- PACKING IS PER Amphenol PACKING SPECIFICATION PKS-0001

TOLERANCE	m/m	APPROVALS	DATE	TITLE	Amphenol®	
x.	±0.30	DRAWN	06/12/07	G845 SERIES	Amphenol Corporation Amphenol Taiwan Corporation SCALE N.A. SHEET 1 OF 1	
x.x	±0.25	CHECKED	06/12/07	BOX HEADER		
x.xx	±0.15	APPROVED	06/12/07	1.27 x 2.54 MM PITCH		
x.xxx	±0.08			STR. PCB MOUNT		
ANGULAR	±2'	UNLESS OTHERWISE SPECIFIED		SIZE A4 PART NO. G845B XXX X1X GEU DWG NO. BHD-G845BXXXX1XGEU-14	REV. A1	