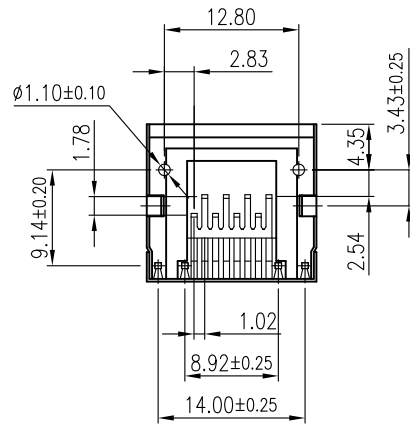
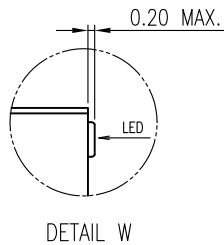
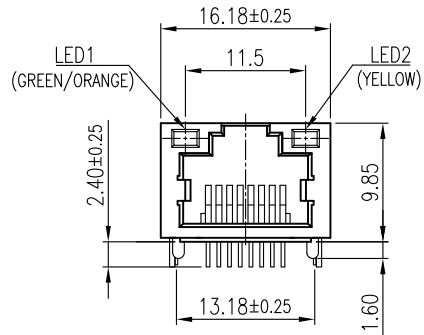
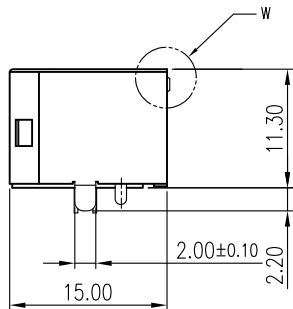
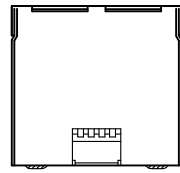


This document is the property of Amphenol Corporation and is delivered on the express condition that it is not to be disclosed, reproduced or used, in whole or in part, for manufacture or sale by anyone other than Amphenol Corporation without its prior consent, and that no right is granted to disclose or to use any information in this document.

The marking on this product doesn't contain environmental hazardous materials per Material Specification SS-00259 for Sony GP compliant or per directive 2002/95/EC for RoHS compliant.

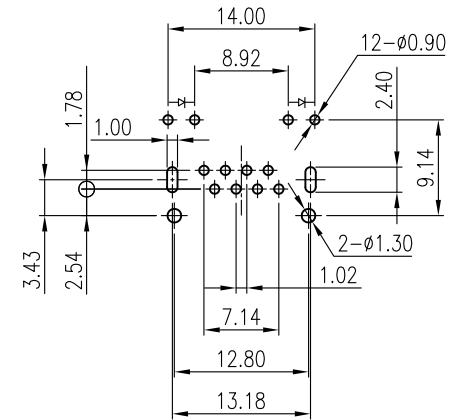
| REVISIONS | | | | |
|-----------|---------|----------------------|------------|------------|
| SYM | ECN No. | DESCRIPTION | DATE | APPROVED |
| AX1 | | NON-RELEASE REVISION | 05/20/2009 | Roger Tsai |

**PRELIMINARY RELEASE
SUBJECT TO CHANGE**



NOTES:

- MATERIAL:**
HOUSING: HIGH TEMPERATURE THERMAL PLASTIC, UL94V-0, NYLON 46, COLOR: BLACK.
TERMINAL: COPPER ALLOY.
SHELL: COPPER ALLOY.
- FINISH:**
TERMINAL:
CONTACT AREA: SELECTED GOLD PLATING;
SOLDERING AREA: GOLD FLASH PLATING;
UNDER PLATING: NICKEL PLATING 50 μ" THICKNESS MIN. OVERALL.
SHELL:
NICKEL PLATING 50 μ" THICKNESS MIN. OVERALL.
- PACKING IS PER AMTA PACKING SPECIFICATION PKS-0001.
- THIS PRODUCT DOESN'T CONTAIN ENVIRONMENTAL HAZARDOUS PER DIRECTIVE 2002/95/EC FOR RoHS COMPLIANT.



RECOMMENDED PCB LAYOUT
(ALL TOLERANCES ARE ±0.05)

| | |
|--------------------|---------------|
| G71B 0243 4 71 EU | 50μ" |
| G71B 0243 3 71 EU | 30μ" |
| G71B 0243 2 71 EU | 15μ" |
| G71B 0243 1 71 EU | 6μ" |
| PART NUMBER | FINISH |

| TOLERANCE | APPROVALS | DATE | TITLE | | Amphenol® | |
|--|----------------------|------------------|--|--------------|---|----------|
| X. ±0.30 X.X ±0.20 X.XX ±0.10 X.XXX ±0.10 | DRAWN Roger Tsai | 05/20/2009 | G71B SERIES MODULAR JACK, 8P8C SIDE ENTRY,PCB MOUNT, R/A, DIP TYPE, WITH LED | | Amphenol Corporation Amphenol Taiwan Corporation | |
| ANGULAR ±1° | CHECKED Daniel Hsieh | 05/20/2009 | | | | |
| UNLESS OTHERWISE SPECIFIED | APPROVED Roger Tsai | 05/20/2009 | | | | |
| | DWG TYPE CUST DWG | PROJECT CODE MJK | UNIT mm | SIZE A3 | PART No. G71B0243X71EU | |
| | | | SCALE NA | SHEET 1 OF 1 | DWG No. G71B0243X71EU | REV. AX1 |