

This document is the property of Amphenol Corporation and is delivered on the express condition that is not to be disclosed, reproduced or used, in whole or in part, for manufacture or sale by anyone other than Amphenol Corporation without its prior consent, and that no right is granted to disclose or to use any information in this document.

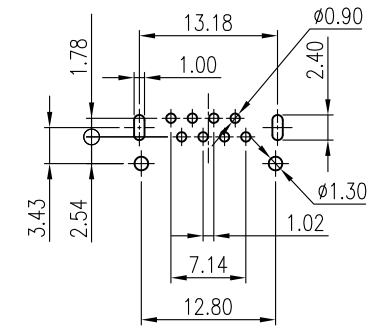
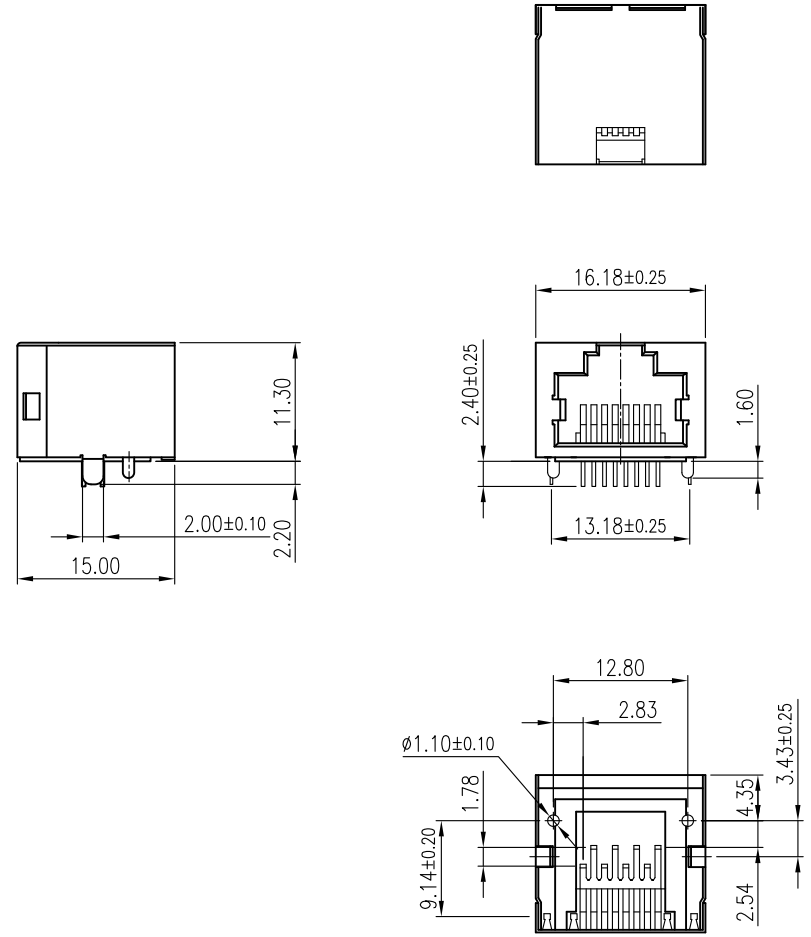
The marking on this product doesn't contain environmental hazardous materials per Material Specification SS-00259 for Sony GP compliant or per directive 2002/95/EC for RoHS compliant.

REVISIONS				
SYM	ECN No.	DESCRIPTION	DATE	APPROVED
AX1		NON-RELEASE REVISION	05/20/2009	Roger Tsai

PRELIMINARY RELEASE
SUBJECT TO CHANGE

NOTES:

1. MATERIAL:
 - HOUSING: HIGH TEMPERATURE THERMAL PLASTIC, UL94V-0, NYLON 46, COLOR: BLACK.
 - TERMINAL: COPPER ALLOY.
 - SHELL: COPPER ALLOY.
2. FINISH:
 - TERMINAL:
 - CONTACT AREA: SELECTED GOLD PLATING;
 - SOLDERING AREA: GOLD FLASH PLATING;
 - UNDER PLATING: NICKEL PLATING 50 μ" THICKNESS MIN. OVERALL.
 - SHELL:
 - NICKEL PLATING 50 μ" THICKNESS MIN. OVERALL.
3. PACKING IS PER AMTA PACKING SPECIFICATION PKS-0001.
4. THIS PRODUCT DOESN'T CONTAIN ENVIRONMENTAL HAZARDOUS PER DIRECTIVE 2002/95/EC FOR RoHS COMPLIANT.



RECOMMENDED PCB LAYOUT
(ALL TOLERANCES ARE ±0.05)

G71B 0243 4 00 EU	50μ"
G71B 0243 3 00 EU	30μ"
G71B 0243 2 00 EU	15μ"
G71B 0243 1 00 EU	6μ"
PART NUMBER	FINISH

TOLERANCE		APPROVALS		DATE	TITLE		Amphenol®		
X.		DRAWN Roger Tsai		05/20/2009	G71B SERIES MODULAR JACK, 8P8C SIDE ENTRY,PCB MOUNT, R/A, DIP TYPE		Amphenol Corporation Amphenol Taiwan Corporation		
X.X	±0.30	CHECKED Daniel Hsieh		05/20/2009					
X.XX	±0.20	APPROVED Roger Tsai		05/20/2009					
X.XXX	±0.10	DWG TYPE CUST DWG		PROJECT CODE MJK	UNIT mm		SIZE A3	PART No. G71B0243X00EU	
ANGULAR	±1°	UNLESS OTHERWISE SPECIFIED			SCALE NA		SHEET 1 OF 1	DWG No. G71B0243X00EU	
								REV. AX1	