

This document is the property of Amphenol Corporation and is delivered on the express condition that it is not to be disclosed, reproduced or used, in whole or in part, for manufacture or sale by anyone other than Amphenol Corporation without its prior consent, and that no right is granted to disclose or to use any information in this document.

The marking on this product doesn't contain environmental hazardous materials per Material Specification SS-00259 for Sony GP compliant or per directive 2002/95/EC for RoHS compliant.

REVISIONS				
SYM	ECN No.	DESCRIPTION	DATE	APPROVED
AX1		UNAPPROVED REVISION	03/23/2009	Hank Hsu

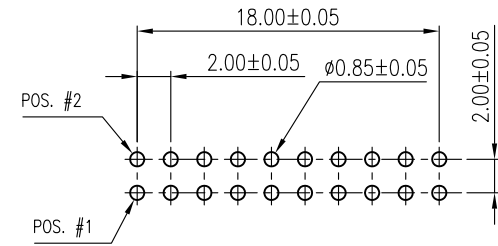
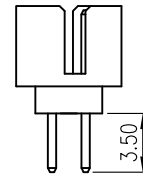
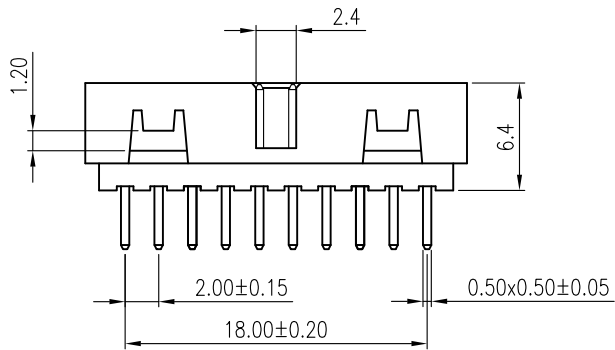
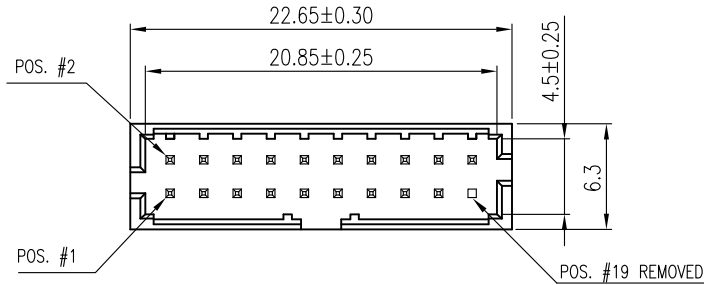
**PRELIMINARY RELEASE
SUBJECT TO CHANGE**

NOTES:

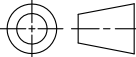
- INSULATOR: LCP, UL 94V-0, COLOR- BLACK
- CONTACT: COPPER ALLOY, SELECTIVE GOLD PLATED ON CONTACT AREA, 100 μ " MIN. TIN PLATED ON SOLDERING TAIL, 50 μ " MIN. NICKEL UNDER-PLATING OVERALL
- THIS PRODUCT DOESN'T CONTAIN ENVIRONMENTAL HAZARDOUS MATERIALS PER DIRECTIVE 2002/95/EC FOR RoHS.
- PER AMTA PACKING SPECIFICATION PKS-0001

G823201 X YB1AEU

- CONTACT FINISH:
- 15 μ " GOLD
 - 30 μ " GOLD



RECOMMENDED PCB LAYOUT

TOLERANCE		APPROVALS		DATE	TITLE			Amphenol®		
X.		DRAWN			BOX HEADER 2.0 mm PITCH,			Amphenol Corporation Amphenol Taiwan Corporation		
X.X	±0.30	Roger Tsai		03/23/2009	2X10 P, SLIM TYPE, STRAIGHT					
X.XX	±0.20	CHECKED			PCB MOUNT, POS. #19 REMOVED			PART No. G823201XYB1AEU		
X.XXX	±0.10	Daniel Hsieh		03/23/2009	 UNIT mm SIZE A3 SCALE NA SHEET 1 OF 1			DWG No. G823201XYB1AEU		
ANGULAR	±1°	APPROVED		03/23/2009				Hank Hsu		
UNLESS OTHERWISE SPECIFIED		DWG TYPE		PROJECT CODE						
		CUST DWG		BHD						