

This document is the property of Amphenol Corporation and is delivered on the express condition that is not to be disclosed, reproduced or used, in whole or in part, for manufacture or sale by anyone other than Amphenol Corporation without its prior consent, and that no right is granted to disclose or to use any information in this document.

The marking on this product doesn't contain environmental hazardous materials per Material Specification 55-00259 for Sony GP compliant or per directive 2002/95/EC for RoHS compliant.



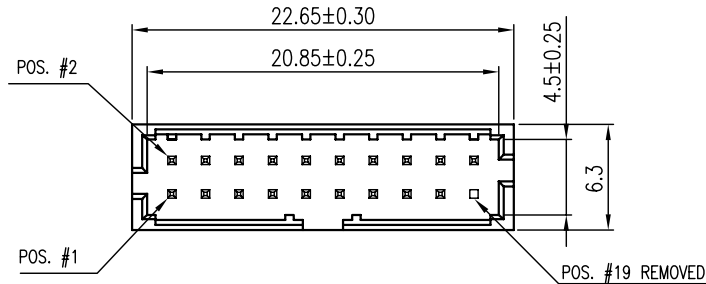
ORIGINAL



REVISIONS				
SYM	ECN No.	DESCRIPTION	DATE	APPROVED
A		UNAPPROVED REVISION	10/30/2009	Roger Tsai

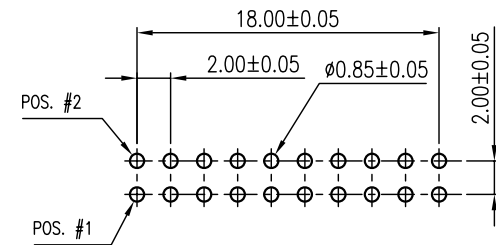
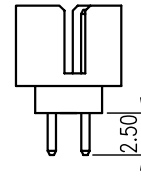
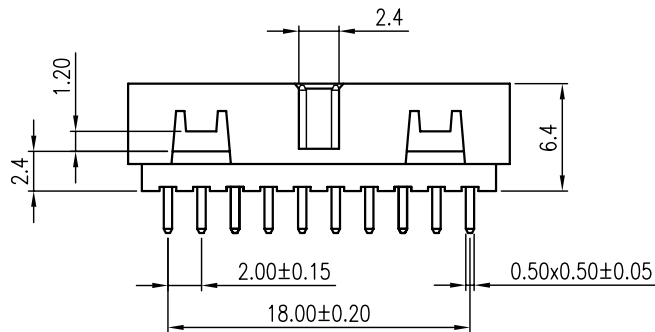
NOTES:

- INSULATOR: LCP, UL 94V-0, COLOR- BLACK
- CONTACT: COPPER ALLOY, SELECTIVE GOLD PLATED ON CONTACT AREA, 100μ" MIN. TIN PLATED OR GOLD FLASH ON SOLDERING TAIL, 30μ" MIN. NICKEL UNDER-PLATING OVERALL.
- THIS PRODUCT DOESN'T CONTAIN ENVIRONMENTAL HAZARDOUS MATERIALS PER DIRECTIVE 2002/95/EC FOR ROHS.
- PER AMTA PACKING SPECIFICATION PKS-0001



G823201 X YBAEU

- CONTACT FINISH:
- 0: FULL GOLD FLASH
  - 1: GOLD FLASH
  - 2: 15μ" GOLD
  - 3: 30μ" GOLD



RECOMMENDED PCB LAYOUT

TOLERANCE		APPROVALS		DATE	TITLE			Amphenol®		
X		DRAWN	Roger Tsai	10/30/2009	BOX HEADER 2.0 mm PITCH, 2X10 P, SLIM TYPE, STRAIGHT PCB MOUNT, POS. #19 REMOVED			Amphenol Corporation Amphenol Taiwan Corporation		
X.X	±0.30	CHECKED	Daniel Hsieh	10/30/2009						
X.XX	±0.20	APPROVED	Roger Tsai	10/30/2009						
X.XXX	±0.10	DWG TYPE	CUST DWG	PROJECT CODE						
ANGULAR	±1°				UNIT	mm	SIZE	A3	PART No.	G823201XYBAEU
UNLESS OTHERWISE SPECIFIED					SCALE	NA	SHEET	1 OF 1	DWG No.	G823201XYBAEU
									REV.	A