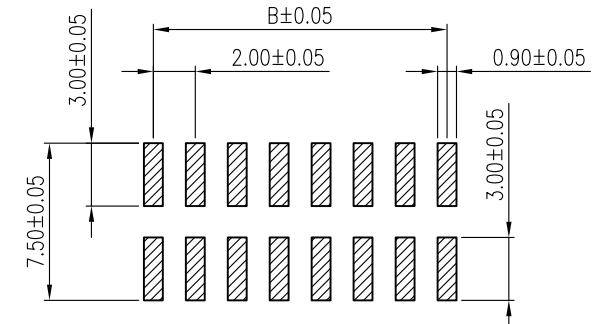
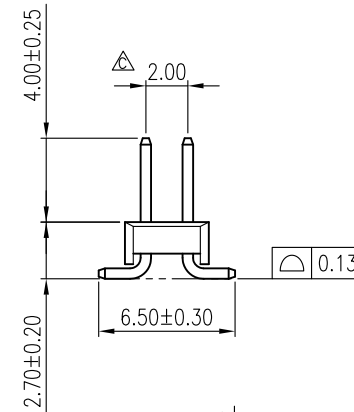
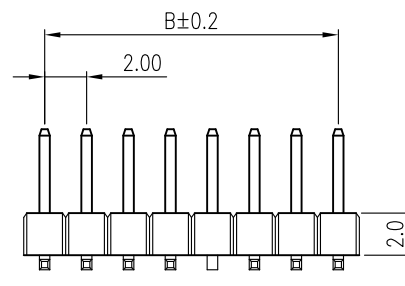
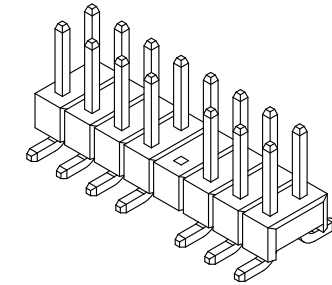
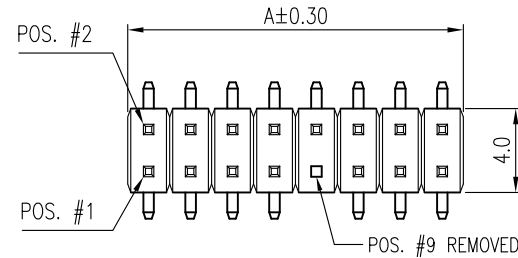


This document is the property of Amphenol Corporation and is delivered on the express condition that is not to be disclosed, reproduced or used, in whole or in part, for manufacture or sale by anyone other than Amphenol Corporation without its prior consent, and that no right is granted to disclose or to use any information in this document.

The marking on this product doesn't contain environmental hazardous materials per Material Specification 55-00259 for Sony GP compliant or per directive 2002/95/EC for RoHS compliant.

REVISIONS				
SYM	ECN No.	DESCRIPTION	DATE	APPROVED
AX1		NON-RELEASE REVISION	05/12/2009	Roger Tsai

**PRELIMINARY RELEASE
SUBJECT TO CHANGE**



RECOMMENDED P.C.B. LAYOUT

NOTES:

- INSULATOR: LCP, UL 94V-0, COLOR- BLACK
- PIN CONTACT: COPPER ALLOY, SELECTIVE GOLD OR TIN PLATED
 "X"- CONTACT FINISH CODE IN P/N
 "0"- FULL TIN
 "1"- FLASH GOLD
 "2"- 10μ" GOLD
 "3"- 30μ" GOLD
 "4"- FULL GOLD FLASH
- THIS PRODUCT DOESN'T CONTAIN ENVIRONMENTAL HAZARDOUS MATERIALS PER DIRECTIVE 2002/95/EC FOR RoHS.
- THE PRODUCT MUST BE FOR DIP PROCESS ONLY
- PACKING IS PER AMTA PACKING SPECIFICATION PKS-0001

G825M 80 X01 YPEU	2 x 40 = 80	80.00	78.00
G825M 78 X01 YPEU	2 x 39 = 78	78.00	76.00
G825M 76 X01 YPEU	2 x 38 = 76	76.00	74.00
G825M 74 X01 YPEU	2 x 37 = 74	74.00	72.00
G825M 72 X01 YPEU	2 x 36 = 72	72.00	70.00
G825M 70 X01 YPEU	2 x 35 = 70	70.00	68.00
G825M 68 X01 YPEU	2 x 34 = 68	68.00	66.00
G825M 66 X01 YPEU	2 x 33 = 66	66.00	64.00
G825M 64 X01 YPEU	2 x 32 = 64	64.00	62.00
G825M 62 X01 YPEU	2 x 31 = 62	62.00	60.00
G825M 60 X01 YPEU	2 x 30 = 60	60.00	58.00
G825M 58 X01 YPEU	2 x 29 = 58	58.00	56.00
G825M 56 X01 YPEU	2 x 28 = 56	56.00	54.00
G825M 54 X01 YPEU	2 x 27 = 54	54.00	52.00
G825M 52 X01 YPEU	2 x 26 = 52	52.00	50.00
G825M 50 X01 YPEU	2 x 25 = 50	50.00	48.00
G825M 48 X01 YPEU	2 x 24 = 48	48.00	46.00
G825M 46 X01 YPEU	2 x 23 = 46	46.00	44.00
G825M 44 X01 YPEU	2 x 22 = 44	44.00	42.00
G825M 42 X01 YPEU	2 x 21 = 42	42.00	40.00
G825M 40 X01 YPEU	2 x 20 = 40	40.00	38.00
G825M 38 X01 YPEU	2 x 19 = 38	38.00	36.00
G825M 36 X01 YPEU	2 x 18 = 36	36.00	34.00
G825M 34 X01 YPEU	2 x 17 = 34	34.00	32.00
G825M 32 X01 YPEU	2 x 16 = 32	32.00	30.00
G825M 30 X01 YPEU	2 x 15 = 30	30.00	28.00
G825M 28 X01 YPEU	2 x 14 = 28	28.00	26.00
G825M 26 X01 YPEU	2 x 13 = 26	26.00	24.00
G825M 24 X01 YPEU	2 x 12 = 24	24.00	22.00
G825M 22 X01 YPEU	2 x 11 = 22	22.00	20.00
G825M 20 X01 YPEU	2 x 10 = 20	20.00	18.00
G825M 18 X01 YPEU	2 x 9 = 18	18.00	16.00
G825M 16 X01 YPEU	2 x 8 = 16	16.00	14.00
G825M 14 X01 YPEU	2 x 7 = 14	14.00	12.00
G825M 12 X01 YPEU	2 x 6 = 12	12.00	10.00
G825M 10 X01 YPEU	2 x 5 = 10	10.00	8.00
G825M 08 X01 YPEU	2 x 4 = 8	8.00	6.00
G825M 06 X01 YPEU	2 x 3 = 6	6.00	4.00
G825M 04 X01 YPEU	2 x 2 = 4	4.00	2.00
PART NUMBER	NO. OF POS.	A	B

TOLERANCE	APPROVALS	DATE	TITLE	Amphenol® Amphenol Corporation Amphenol Taiwan Corporation			
X. X.X ±0.30 X.XX ±0.20 X.XXX ±0.10	DRAWN Roger Tsai	05/12/2009	PCB HEADER 2.0MM PITCH DUAL ROWS STRAIGHT SMT TYPE # 9 REMOVED	UNIT	SIZE	PART No.	
ANGULAR ±1°	CHECKED Daniel Hsieh	05/12/2009		mm	A3	G825MXXX01YPEU	
UNLESS OTHERWISE SPECIFIED	APPROVED Roger Tsai	05/12/2009	PROJECT CODE	SCALE	SHEET	DWG No.	REV.
	DWG TYPE CUST DWG	HEAD	NA	1 OF 1	G825MXXX01YPEU	AX1	