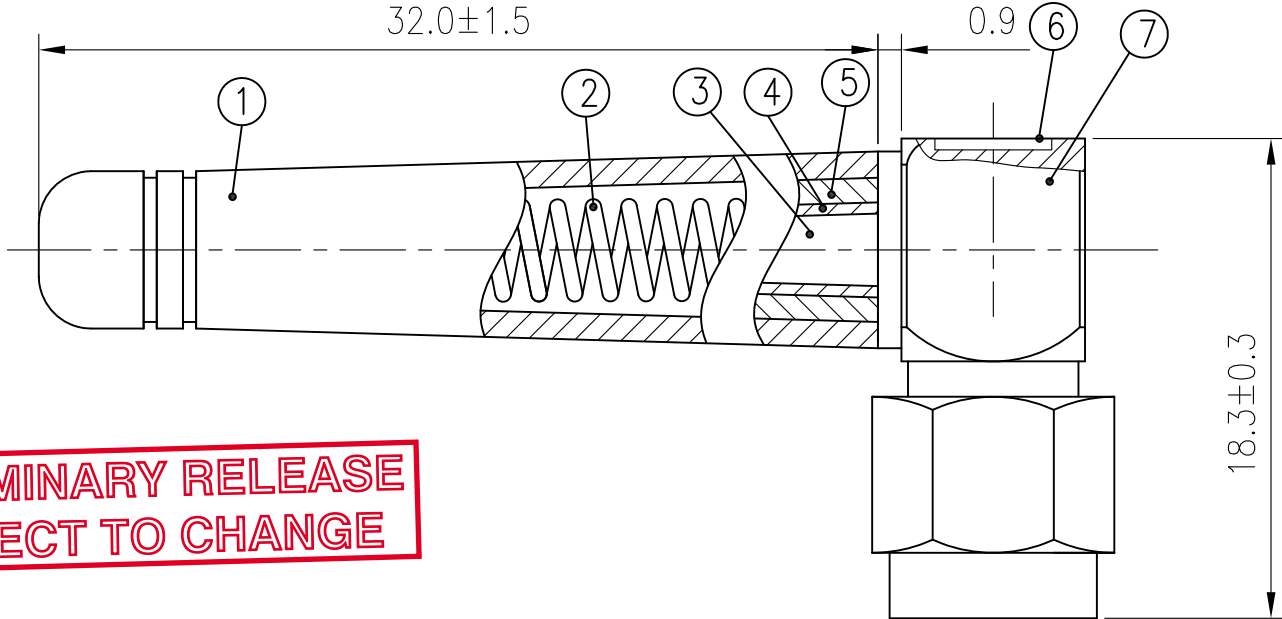


This document is the property of Amphenol Corporation and is delivered on the express condition that is not to be disclosed, reproduced or used, in whole or in part, for manufacture or sale by anyone other than Amphenol Corporation without its prior consent, and that no right is granted to disclose or to use any information in this document.

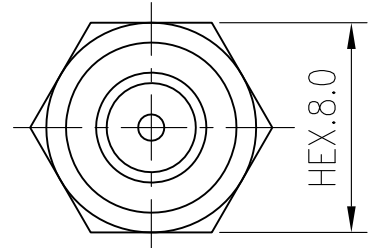
The marking on this product doesn't contain environmental hazardous materials per Material Specification SS-00259 for Sony GP compliant or per directive 2002/95/EC for RoHS compliant.

REVISIONS				
SYM	ECN No.	DESCRIPTION	DATE	APPROVED
A		RELEASE FOR RoHS	12/12/2005	Henry Ko
BX1		CHANGE VENDOR	06/05/2009	Roger Tsai



PRELIMINARY RELEASE
SUBJECT TO CHANGE

- NOTES:
- FREQUENCY BAND: G.S.M=900+25 MHZ
 - G.S.M BE 1770~1880 MHZ ONLY WHEN THE CUSTOMER'S RF BOARD CAN MATCH THE ANTENNA
 - THIS PRODUCT DOESN'T CONTAIN ENVIRONMENTAL HAZARDOUS MATERIAL PER DIRECTIVE 2002/95/EC FOR ROHS



7	SMA	BSBM	1	NICKEL
6	BASE	BSBM	1	NICKEL
5	ANTENNA BASE	BSBM	1	NICKEL
4	SLEEVE	TEFLON	1	WHITE
3	SPRING BASE	BSBM	1	
2	SPRING	SUS	1	
1	TUBE	PU	1	DARK GRAY
REF.	DESCRIPTION	MATERIAL	Q'TY	MFG

TOLERANCE		APPROVALS		DATE	TITLE		Amphenol®						
X.		DRAWN	Roger Tsai	05/04/2009	ANTENNA FOR GSM		Amphenol Corporation Amphenol Taiwan Corporation						
X.X	±0.30	CHECKED	Daniel Hsieh	05/04/2009									
X.XX	±0.20	APPROVED	Roger Tsai	05/04/2009									
X.XXX	±0.10	DWG TYPE	CUST DWG	PROJECT CODE	OTHER	UNIT	mm	SIZE	A3	PART No.	GAN30018EU		
ANGULAR	±1°	UNLESS OTHERWISE SPECIFIED				SCALE	NA	SHEET	1 OF 1	DWG No.	GAN30018EU	REV.	BX1