

This document is the property of Amphenol Corporation and is delivered on the express condition that is not to be disclosed, reproduced or used, in whole or in part, for manufacture or sale by anyone other than Amphenol Corporation without its prior consent, and that no right is granted to disclose or to use any information in this document.

The marking on this product doesn't contain environmental hazardous material and must follow one or more specifications per Material Specification SS-00259 for Sony GP compliant or per directive 2002/95/EC for RoHS compliant or per IEC 61249-2-21 for Halogen Free compliant.

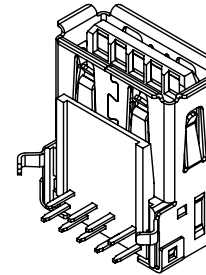
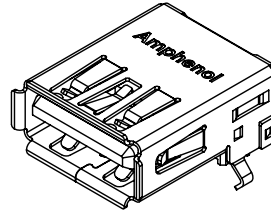
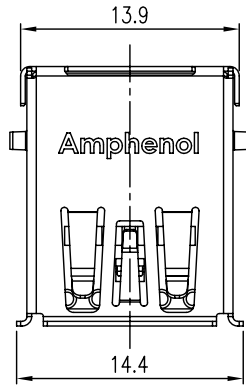


ORIGINAL

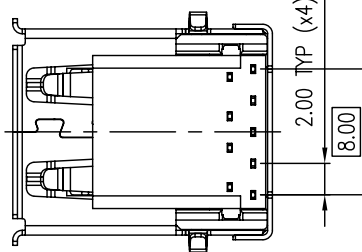
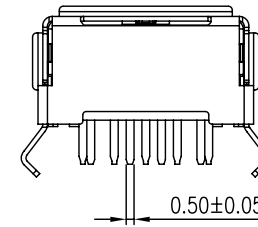
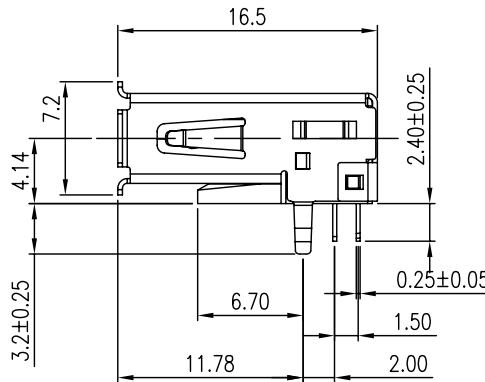
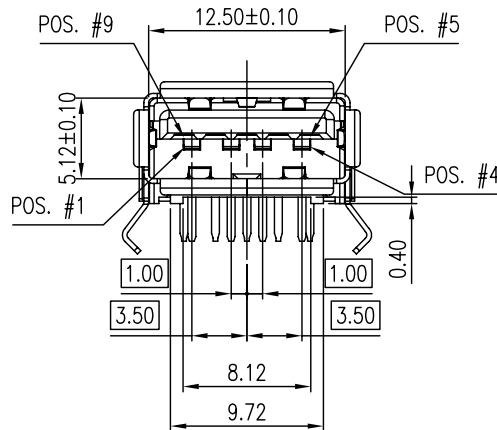
PART NUMBER:
GSB3 111 X X HR

CONTACT FINISH — **INSULATOR AND COLOR**
 3: 30μ" GOLD 1: LCP, Blue
 4: 2μ" GOLD+30μ" Ni-Pd 4: Nylon 9T, Blue

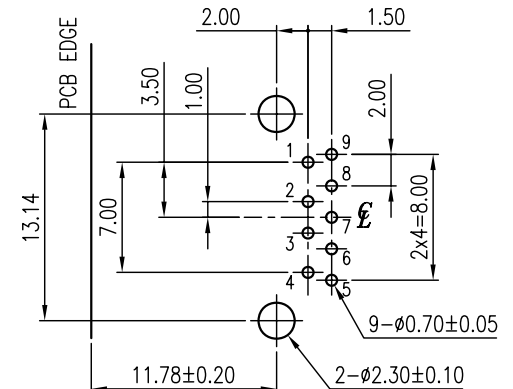
REVISIONS				
SYM	ECN No.	DESCRIPTION	DATE	BY
A		RELEASE TO PRODUCTION	12/02/2009	Sondra Sang
B	NE-09193	ADDED DIMENSIONS	12/07/2009	Sondra Sang
C	NE-10123	MODIFIED PINS	08/06/2010	Sondra Sang
D	NE-10162	ADDED PIN ASSIGNMENTS	10/12/2010	Sondra Sang



PIN #	SIGNAL NAME
1	VBUS
2	D-
3	D+
4	GND
5	SSRX-
6	SSRX+
7	GND_DRAIN
8	SSTX-
9	SSTX+
SHELL	SHIELD



PIN ASSIGNMENT



RECOMMENDED PCB LAYOUT- TOP VIEW
(OTHER GENERAL TOLERANCES: ±0.05)

- NOTES:**
- HOUSING: HIGH TEMPERATURE THERMOPLASTIC, UL 94V-0 OR 94H-B, COLOR- BLUE
 - BOTTOM COVER: HIGH TEMPERATURE THERMOPLASTIC, UL 94V-0, COLOR- BLUE
 - CONTACT: COPPER ALLOY, 0.25mm THICKNESS, 30μ" MIN. GOLD or 2μ" MIN. GOLD +30μ" MIN. Ni-Pd PLATED ON CONTACT AREA, 120μ" MIN. MATTE TIN PLATED ON SOLDERING TAIL, 80μ" MIN. NICKEL UNDER-PLATED OVERALL
 - METAL SHELL: COPPER ALLOY, 0.3mm THICKNESS, 120μ" MIN. MATTE TIN PLATED ON SOLDERING TAIL, 80μ" MIN. NICKEL UNDER-PLATED OVERALL
 - THIS PRODUCT DOESN'T CONTAIN ENVIRONMENTAL HAZARDOUS MATERIALS PER DIRECTIVE 2002/95/EC FOR RoHS AND PER IEC 61249-2-21 FOR HALOGEN FREE COMPLIANT.



TOLERANCE	APPROVALS	DATE	TITLE	UNIT	SIZE	PART No.
X. ±0.30	DRAWN Sondra Sang	10/12/10	USB 3.0 CONNECTOR STANDARD A R/A DIP TYPE	mm	A3	GSB3 111 XX HR
X.X ±0.20	CHECKED Chenny Yeh	10/12/10				
X.XX ±0.10	APPROVED Hank Hsu	10/12/10		NA	1 OF 1	GSB311131HR
ANGULAR ±1°	DWG TYPE CUST DWG	PROJECT CODE T502				
UNLESS OTHERWISE SPECIFIED						REV. D

This document is the property of Amphenol Corporation and is delivered on the express condition that is not to be disclosed, reproduced or used, in whole or in part, for manufacture or sale by anyone other than Amphenol Corporation without its prior consent, and that no right is granted to disclose or to use any information in this document.

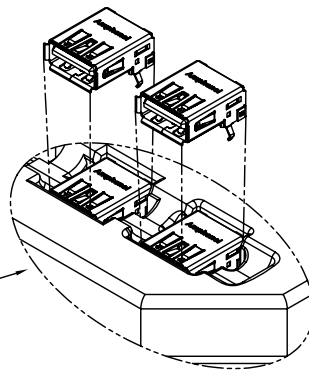
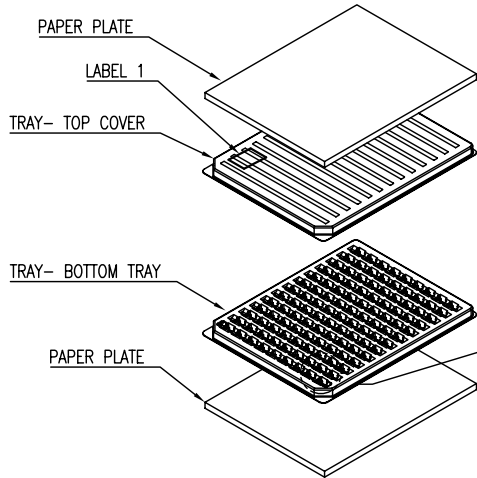
The marking on this product doesn't contain environmental hazardous material and must follow one or more specifications per Material Specification SS-00259 for Sony GP compliant or per directive 2002/95/EC for RoHS compliant or per IEC 61249-2-21 for Halogen Free compliant



ORIGINAL

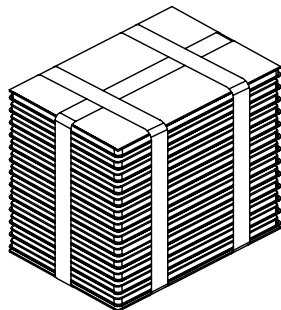


REVISIONS				
SYM	ECN No.	DESCRIPTION	DATE	BY
A		RELEASE TO PRODUCTION	12/02/2009	Sondra Sang

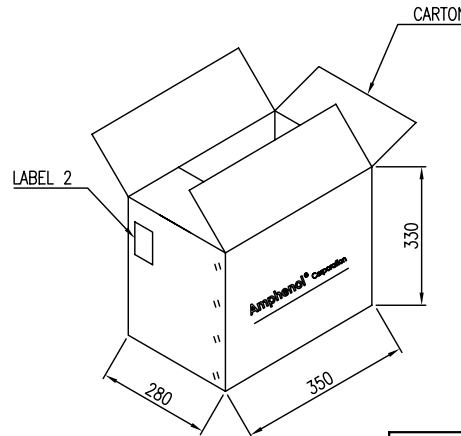


PN : GSB311131HR		LABEL 1 = QTY : 117 LABEL 2 = QTY : 2340
QTY : 117		
P/O : 411-012345-001		
DATE : 07 / 31 / 2009		
MM / DD / YYYY		
G.W : 15.00 KG	RoHS	
Amphenol Taiwan Corporation		

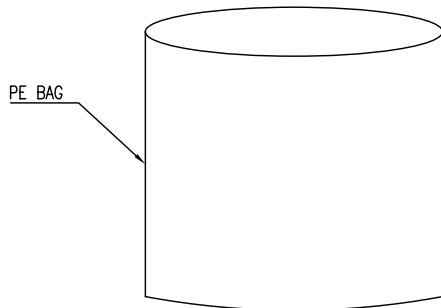
LABEL 1 & LABEL 2



TOTAL 20 LAYERS TRAYS



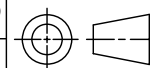
- NOTES:
1. MATERIAL: TRAY- PET
 2. THICKNESS: 0.80 mm MINIMUM
 3. THE BARCODE MUST BE 3 OF 9 BARCODE
 4. COMPONENTS LOAD PER THE TRAY: 117 PCS.
 5. THIS PRODUCT DOESN'T CONTAIN ENVIRONMENTAL HAZARDOUS MATERIALS PER DIRECTIVE 2002/95/EC FOR RoHS COMPLIANT



PART NO.	PCS. / TRAY	TRAY / CARTCON	N.W.	G.W.
GSB3111XXHR	117 PCS.	117X20=2340 PCS.	*	9.6 Kg

("**") FOR REFERENCE

TOLERANCE	APPROVALS	DATE	TITLE		Amphenol®					
X. ±0.20	DESIGNED	12/02/09	USB3.0 CONNECTOR A TYPE, R/A DIP TRAY PACKING		Amphenol Corporation Amphenol Taiwan Corporation					
X.X ±0.15	Sondra Sang									
X.XX ±0.10	CHECKED									
X.XXX ±0.05	Chenny Yeh	12/02/09								
ANGULAR ±1°	APPROVED	12/02/09								
UNLESS OTHERWISE SPECIFIED	DWG TYPE	PROJECT CODE								
	ENG DWG	T502								



UNIT	mm	SIZE	A3
SCALE	NA	SHEET	1 OF 1

PART No.	GSB3 11X XX HR		
DWG No.	PKS_GSB311P001HR		
REV.	A		