

This document is the property of Amphenol Corporation and is delivered on the express condition that is not to be disclosed, reproduced or used, in whole or in part, for manufacture or sale by anyone other than Amphenol Corporation without its prior consent, and that no right is granted to disclose or to use any information in this document.

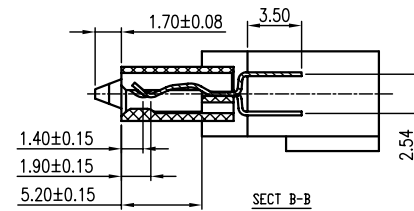
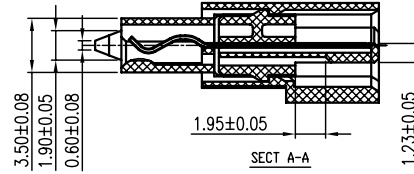
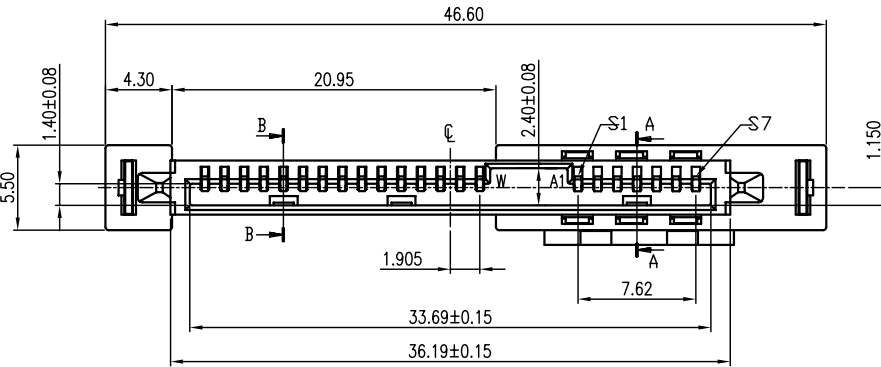
The marking on this product doesn't contain environmental hazardous materials per Material Specification 55-00259 for Sony GP compliant or per directive 2002/95/EC for RoHS compliant.



ORIGINAL

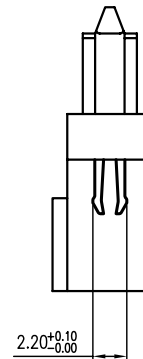
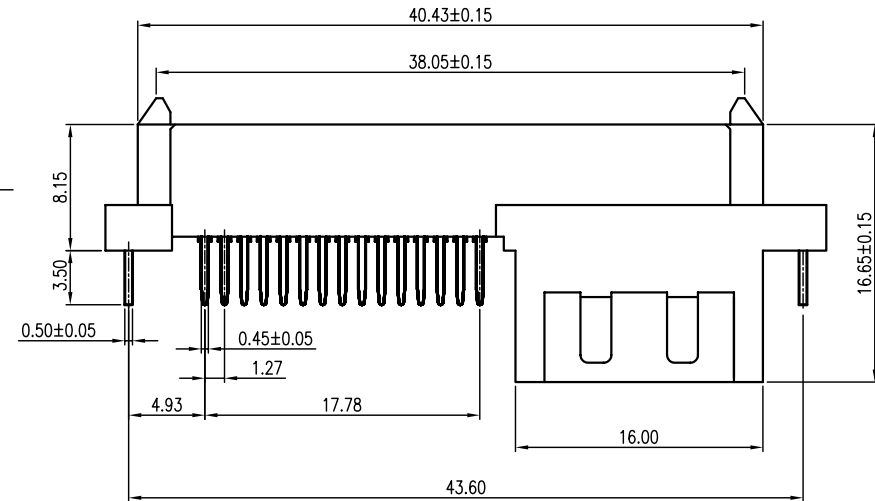


REVISIONS				
SYM	ECN No.	DESCRIPTION	DATE	APPROVED
A		RELEASE TO PRODUCTION	06/26/2009	Roger Tsai
B	NE-09113	MODIFIED DIM	07/01/2009	Arron Lin
C	NE-10001	MODIFIED DIM	01/04/2010	Arron Lin

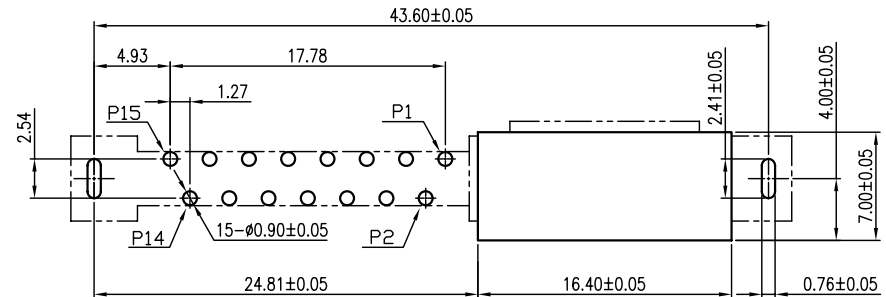


NOTES:

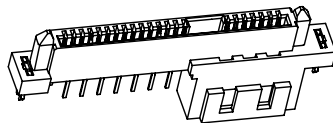
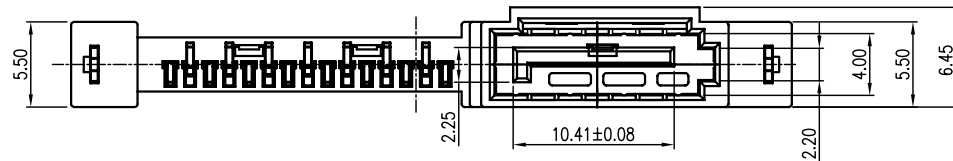
- MATERIAL:  
HOUSING: HIGH TEMPERATURE THERMAL PLASTIC, LCP, UL94V-0, COLOR: BLACK.  
TERMINAL: PHOSPHOR BRONZE.  
BOARDLOCK: BRASS.
- FINISH:  
TERMINAL:  
CONTACT AREA: SELECTED GOLD PLATING;  
SOLDERING AREA: MATTE TIN PLATING 100 μ" THICKNESS MIN.;  
UNDER PLATING: NICKEL PLATING 50 μ" THICKNESS MIN. OVERALL.  
SHELL:  
SOLDERING AREA: MATTE TIN PLATING 100 μ" THICKNESS MIN.;  
UNDER PLATING: NICKEL PLATING 50 μ" THICKNESS MIN. OVERALL.
- PACKING IS PER AMTA PACKING SPECIFICATION PKS-G16CEK001.
- THIS PRODUCT DOESN'T CONTAIN ENVIRONMENTAL HAZARDOUS PER DIRECTIVE 2002/95/EC FOR RoHS COMPLIANT.



PART NO. G16CEKX200EU  
CONTACT FINISH  
0: GOLD FLASH  
1: 15 μ" GOLD  
2: 30 μ" GOLD



RECOMMENDED P.C.B. LAYOUT(T=3.0)



TOLERANCE		APPROVALS		DATE	TITLE		Amphenol®		
X.		DRAWN Daniel Hsieh		01/04/2010	SERIAL ATA FOR FEMALE 7+15 PIN AND MALE 7 PIN STRAIGHT TYPE		Amphenol Corporation Amphenol Taiwan Corporation		
X.X	±0.30	CHECKED Roger Tsai		01/04/2010	UNIT mm	SIZE A3	PART No. G16CEKX200EU		
X.XX	±0.20	APPROVED Arron Lin		01/04/2010			DWG No. G16CEKX200EU		
X.XXX	±0.10	DWG TYPE CUST DWG		PROJECT CODE SKT	SCALE NA	SHEET 1 OF 2	REV. C		
ANGULAR ±1°		UNLESS OTHERWISE SPECIFIED							

This document is the property of Amphenol Corporation and is delivered on the express condition that it is not to be disclosed, reproduced or used, in whole or in part, for manufacture or sale by anyone other than Amphenol Corporation without its prior consent, and that no right is granted to disclose or to use any information in this document.

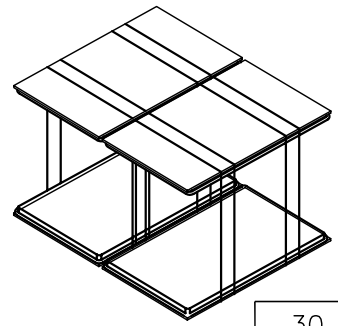
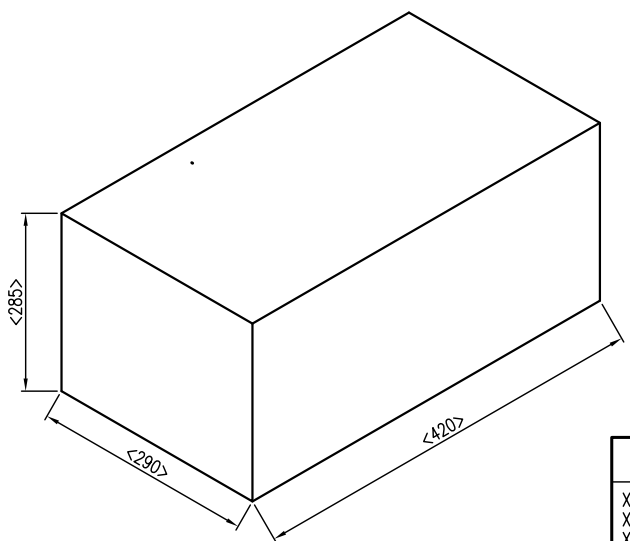
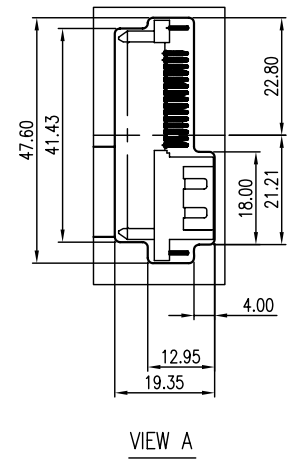
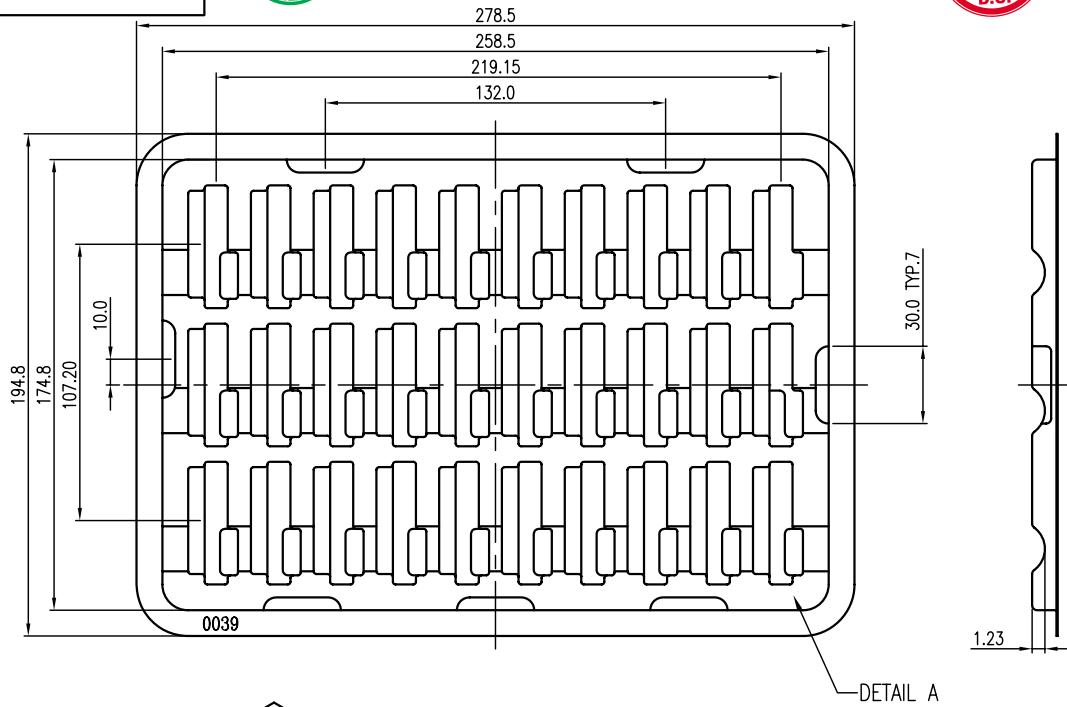
The marking on this product doesn't contain environmental hazardous materials per Material Specification 55-00259 for Sony GP compliant or per directive 2002/95/EC for RoHS compliant.



ORIGINAL



REVISIONS				
SYM	ECN No.	DESCRIPTION	DATE	APPROVED
A		RELEASE TO PRODUCTION	06/26/2009	Roger Tsai
B	NE-09113	MODIFIED DIM	07/01/2009	Arron Lin
C	NE-10001	MODIFIED DIM	01/04/2010	Arron Lin



30	80	2400	9.8	6.6	G16CEK1200EU
PCS/ Tray	Tray/ BOX	QUANTITY (PCS)	G/W (Kg)	N/W (Kg)	PART NUMBER

TOLERANCE		APPROVALS		DATE	TITLE		Amphenol®				
X.		DRAWN	Daniel Hsieh	01/04/2010	SERIAL ATA FOR FEMALE 7+15 PIN AND MALE 7 PIN STRAIGHT TYPE		Amphenol Corporation Amphenol Taiwan Corporation				
X.X	±0.30	CHECKED	Roger Tsai	01/04/2010							
X.XX	±0.20	APPROVED	Arron Lin	01/04/2010							
X.XXX	±0.10	DWG TYPE	CUST DWG	PROJECT CODE	SKT			PART No.	PKS-G16CEK001	REV.	C
ANGULAR	±1°	UNLESS OTHERWISE SPECIFIED				UNIT	mm	SIZE	A3		
						SCALE	NA	SHEET	2 OF 2	DWG No.	PKS-G16CEK001