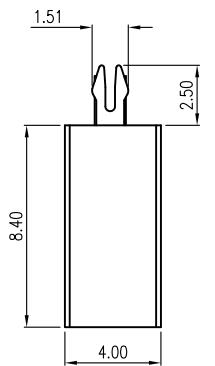
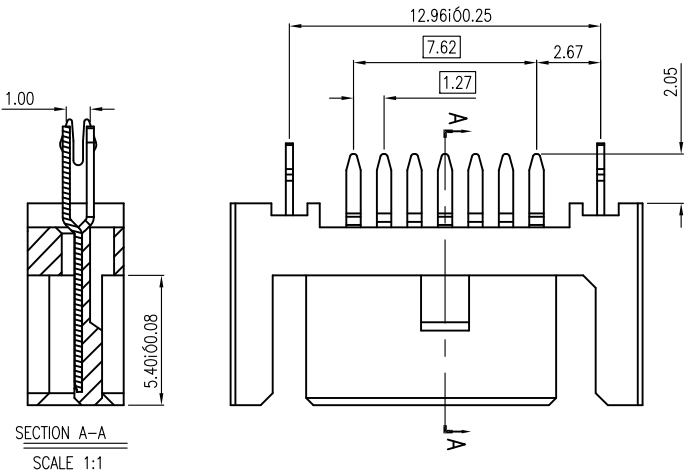
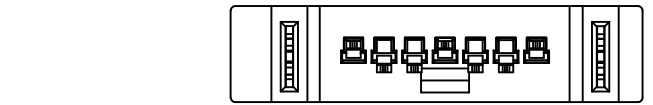


This document is the property of Amphenol Corporation and is delivered on the express condition that is not to be disclosed, reproduced or used, in whole or in part, for manufacture or sale by anyone other than Amphenol Corporation without its prior consent, and that no right is granted to disclose or to use any information in this document.

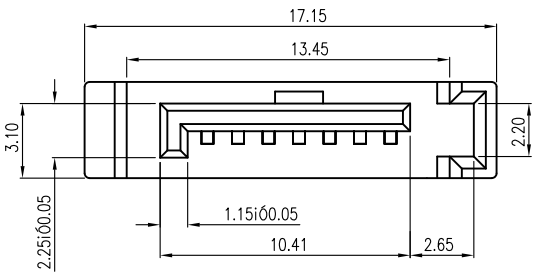
The marking on this product doesn't contain environmental hazardous materials per Material Specification 55-00259 for Sony GP compliant or per directive 2002/95/EC for RoHS compliant.

REVISIONS				
SYM	ECN No.	DESCRIPTION	DATE	APPROVED
AX1	NB-2486	UNAPPROVED REVISION	03/31/2009	Arron Lin
AX2		MODIFIED INSULATION COLOR	04/22/2009	Arron Lin

PRELIMINARY RELEASE
SUBJECT TO CHANGE



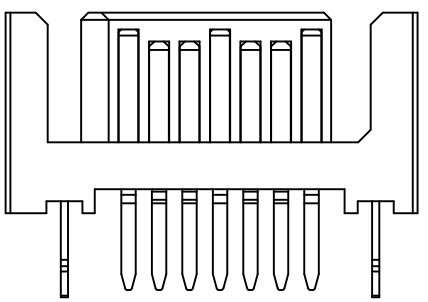
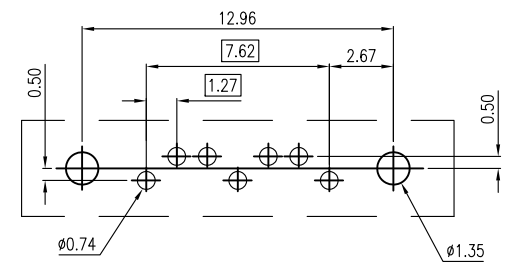
- NOTES:
- MATERIAL:
HOUSING: HIGH TEMPERATURE THERMO PLASTIC UL94V-0
TERMINAL: COPPER ALLOY
METAL SHIELD: COPPER ALLOY
 - FINISH:
TERMINAL:
CONTACT AREA: SELECTIVE GOLD PL.
SOLDERING AREA: TIN PL. 100 μ" THK MIN.
UNDER PL.: NICKEL PL. 50 μ" THK MIN.
METAL SHIELD:
SOLDERING AREA: TIN PL. 100 μ" THK MIN.
UNDER PL.: NICKEL PL. 50 μ" THK MIN.
 - THIS PRODUCT DOESN'T CONTAIN ENVIRONMENTAL HAZARDOUS PER DIRECTIVE 2002/95/EC FOR RoHS COMPLIANT.



G16A2X21XM5EU

CONTACT FINISH
0: Gold flash
1: 15u" Gold
2: 30u" Gold

MATERIAL INSULATION
O: LCP, BLACK
K: NYLON 46, BLUE (286U)
L: NYLON 46, GREEN
M: NYLON 46, RED



TOLERANCE	DRAWN	APPROVALS	DATE	TITLE					
X.	DESIGNED	Roger Tsai	04/02/2009	SATA CONNECTOR 07 POS., 1.27 PITCH, VERTICAL, DIP TYPE	<div style="text-align: right;"> Amphenol® Amphenol Corporation Amphenol Taiwan Corporation </div>				
X.X ±0.30	CHECKED	Daniel Hsieh	04/02/2009						
X.XX ±0.20	APPROVED	Arron Lin	04/02/2009						
X.XXX ±0.10	DWG TYPE	CUST DWG	PROJECT CODE SKT						
ANGULAR ±1°					UNIT mm	SIZE A3	PART No.	G16A2X21XM5EU	
UNLESS OTHERWISE SPECIFIED					SCALE NA	SHEET 1 OF 1	DWG No.	G16A2X21XM5EU	REV. AX2