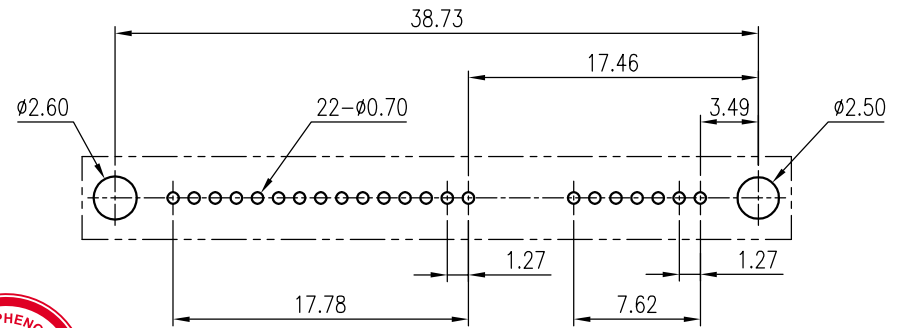
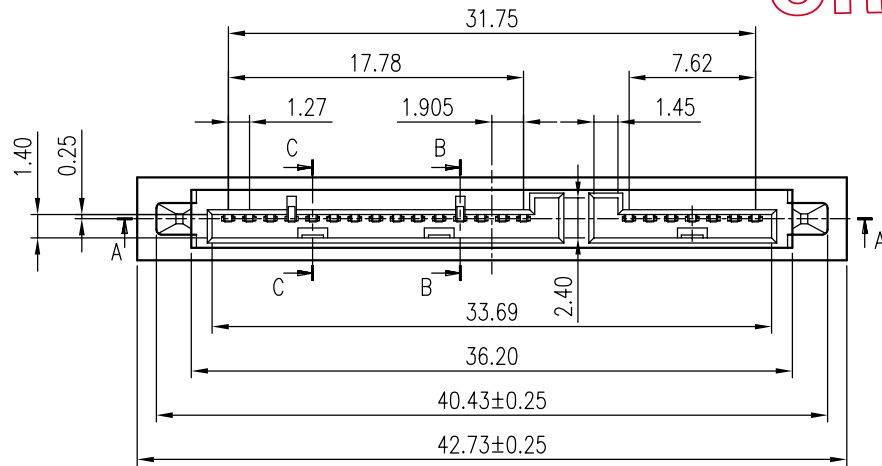


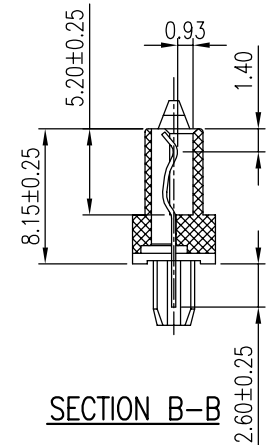
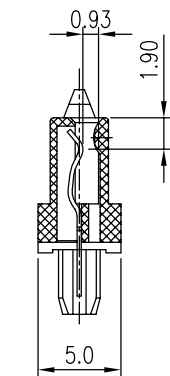
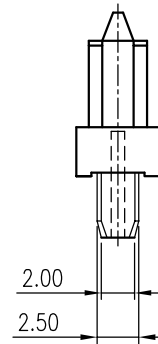
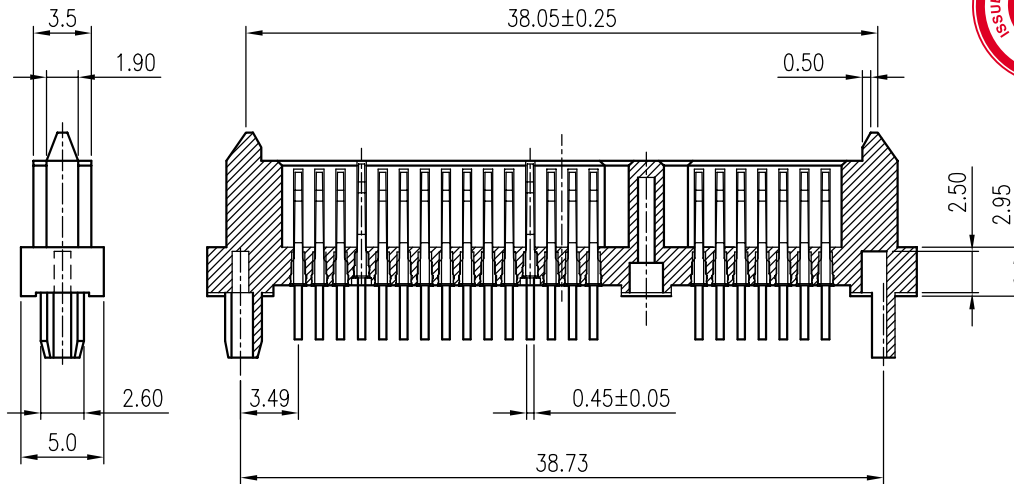
This document is the property of Amphenol Corporation and is delivered on the express condition that it is not to be disclosed, reproduced or used, in whole or in part, for manufacture or sale by anyone other than Amphenol Corporation without its prior consent, and that no right is granted to disclose or to use any information in this document.

CUSTOMER DRAWING ORIGINAL

REVISIONS				
SYM	ECN No.	DESCRIPTION	DATE	APPROVED
A		RELEASE FOR RoHS	03/27/2006	Armstrong Kao



RECOMMENDED PCB LAYOUT
(ALL TOLERANCES ARE ±0.05)



SECTION A-A

SECTION C-C

SECTION B-B

NOTES:

- INSULATOR: LCP, UL 94V-0, COLOR- BLACK
- CONTACT: PHOSPHOR BRONZE, SELECTIVE GOLD PLATING ON CONTACT AREA, TIN PLATING ON SOLDERING TAIL
CONTACT FINISH CODES: "0"- GOLD FLASH
"1"- 15µ" GOLD
"2"- 30µ" GOLD
- THIS PRODUCT DOESN'T CONTAIN ENVIRONMENTAL HAZARDOUS MATERIALS PER DIRECTIVE 2002/95/EC

TOLERANCE m/m	APPROVALS	DATE	TITLE		Amphenol®	
x. ±0.30	DRAWN Sondra Sang	03/27/06	G16CE SERIES		Amphenol Corporation Amphenol Taiwan Corporation	
x.x ±0.25			SERIAL ATA CONNECTOR			
x.xx ±0.15			POWER & SIGNAL, FEMALE			
x.xxx ±0.08	CHECKED Jeff Liu	03/27/06	7P+15P, STR. DIP TYPE		SCALE N.A. SHEET 1 OF 1	
ANGULAR ±2°	APPROVED Jeff Liu	03/27/06	W/ PLASTIC POSTS		DRAWING NO. SKT-G16CE4X230WEU-16	
UNLESS OTHERWISE SPECIFIED	UNIT MM		SIZE A4	PART NO. G16CE 4X230 WEU	REV. A	