

This document is the property of Amphenol Corporation and is delivered on the express condition that is not to be disclosed, reproduced or used, in whole or in part, for manufacture or sale by anyone other than Amphenol Corporation without its prior consent, and that no right is granted to disclose or to use any information in this document.

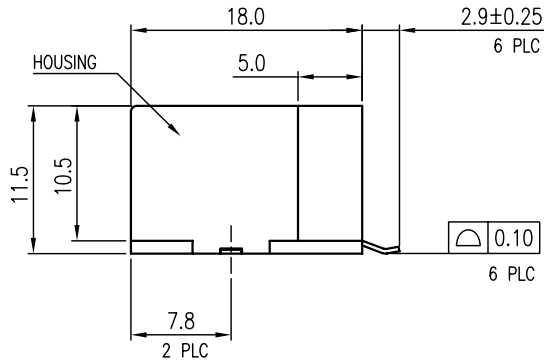
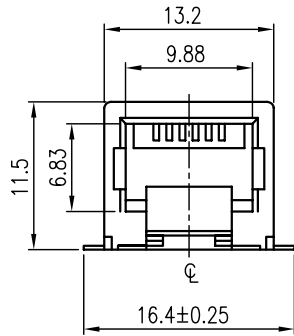
The marking on this product doesn't contain environmental hazardous materials per Material Specification 55-00259 for Sony GP compliant or per directive 2002/95/EC for RoHS compliant.



ORIGINAL

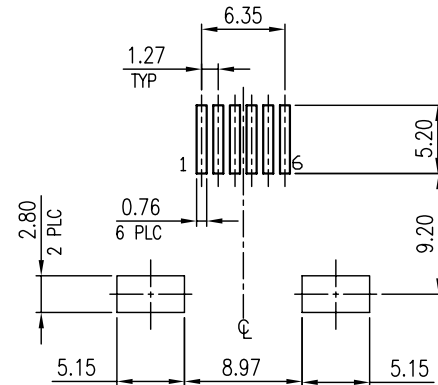
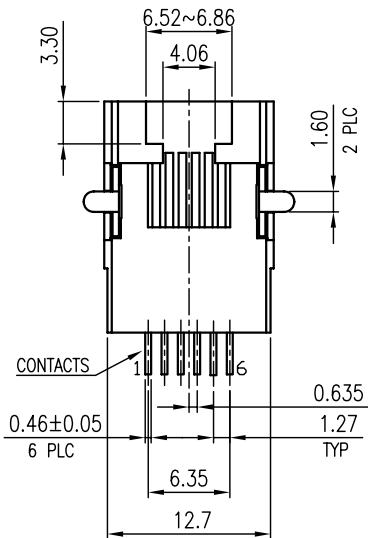


REVISIONS				
SYM	ECN No.	DESCRIPTION	DATE	APPROVED
A		UNAPPROVED REVISION	05/22/2009	Arron Lin



NOTES:

- MATERIAL:
HOUSING: HIGH TEMPERATURE THERMOPLASTIC UL 94V-0
TERMINAL: PHOSPHOR BRONZE
HOLD DOWN: COPPER ALLOY
- FINISH:
TERMINAL:
CONTACT AREA: SELECTED GOLD PLATED.
SOLDERING AREA: GOLD FLASH PLATED.
UNDER PL.: NICKEL PLATED. 50μ" THICKNESS MIN.
HOLD DOWN:
TIN PLATED. 50μ"~100μ" THICKNESS.
- THIS PRODUCT DOESN'T CONTAIN ENVIRONMENTAL HAZARDOUS PER DIRECTIVE 2002/95/EC FOR RoHS COMPLIANT.



RECOMMENDED PCB LAYOUT (TOP VIEW)
PCB THICKNESS=1.2MM
GENERALLY TOLERANCE=±0.05

G71C 0010 4 00EU	50μ"
G71C 0010 3 00EU	30μ"
G71C 0010 2 00EU	15μ"
G71C 0010 1 00EU	6μ"
PART NUMBER	FINISH

TOLERANCE	DRAWN	APPROVALS	DATE	TITLE	UNIT	SIZE	PART No.
X. ±0.30	DESIGNED	Daniel Hsieh	05/22/2009	G71C SERIES 6P6C, SIDE ENTRY VERY LOW PROFILE SMT TYPE	mm	A3	G71C 0010 X 00EU
X.X ±0.20	CHECKED	Roger Tsai	05/22/2009				
X.XX ±0.10	APPROVED	Arron Lin	05/22/2009				
ANGULAR ±1°	DWG TYPE	CUST DWG	PROJECT CODE				
UNLESS OTHERWISE SPECIFIED					SCALE	1 OF 1	DWG No. G71C 0010 X 00EU
					NA		REV. A

Amphenol®
Amphenol Corporation
Amphenol Taiwan Corporation