

This document is the property of Amphenol Corporation and is delivered on the express condition that it is not to be disclosed, reproduced or used, in whole or in part, for manufacture or sale by anyone other than Amphenol Corporation without its prior consent, and that no right is granted to disclose or to use any information in this document.

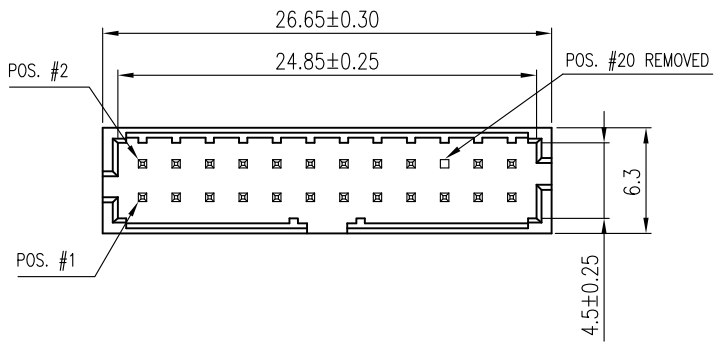
The marking on this product doesn't contain environmental hazardous materials per Material Specification SS-00259 for Sony GP compliant or per directive 2002/95/EC for RoHS compliant.

**PRELIMINARY RELEASE  
SUBJECT TO CHANGE**

REVISIONS				
SYM	ECN No.	DESCRIPTION	DATE	APPROVED
AX1		UNAPPROVED REVISION	03/23/2009	Hank Hsu

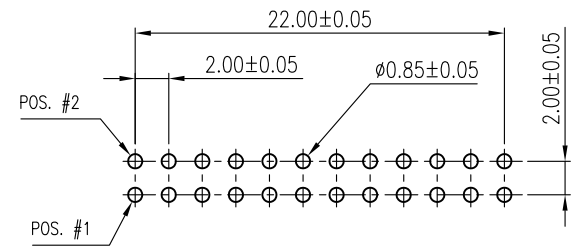
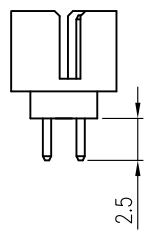
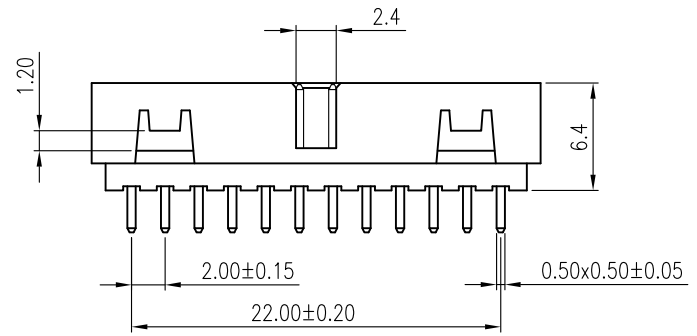
**NOTES:**

- INSULATOR: LCP, UL 94V-0, COLOR- BLACK
- CONTACT: COPPER ALLOY, SELECTIVE GOLD PLATED ON CONTACT AREA, 100 $\mu$ " MIN. TIN PLATED ON SOLDERING TAIL, 50 $\mu$ " MIN. NICKEL UNDER-PLATING OVERALL
- THIS PRODUCT DOESN'T CONTAIN ENVIRONMENTAL HAZARDOUS MATERIALS PER DIRECTIVE 2002/95/EC FOR RoHS.
- PER AMTA PACKING SPECIFICATION PKS-0001

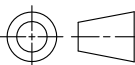


G823241 X YBAEU

- CONTACT FINISH:
- 15 $\mu$ " GOLD
  - 30 $\mu$ " GOLD



**RECOMMENDED PCB LAYOUT**

TOLERANCE		APPROVALS		DATE	TITLE			Amphenol®		
X.		DRAWN			BOX HEADER 2.0 mm PITCH,			Amphenol Corporation Amphenol Taiwan Corporation		
X.X	±0.30	Roger Tsai		03/23/2009	2X12 P, SLIM TYPE, STRAIGHT					
X.XX	±0.20	CHECKED			PCB MOUNT, POS. #20 REMOVED			PART No. G823241XYBAEU		
X.XXX	±0.10	Daniel Hsieh		03/23/2009				DWG No. G823241XYBAEU		
ANGULAR	±1°	APPROVED		03/23/2009				UNIT mm		
UNLESS OTHERWISE SPECIFIED		DWG TYPE		PROJECT CODE	SCALE NA			SHEET 1 OF 1		
		CUST DWG		BHD				REV. AX1		