

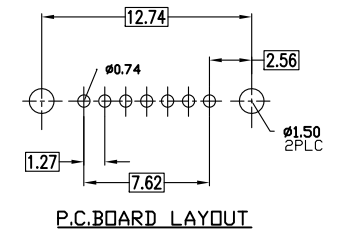
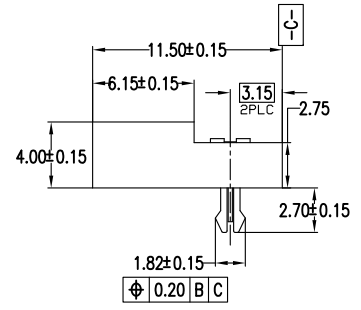
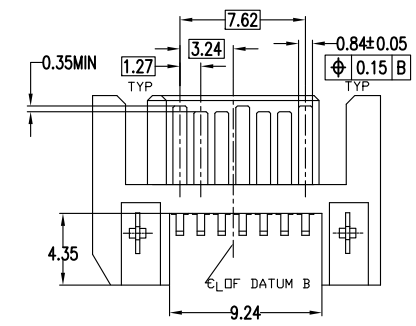
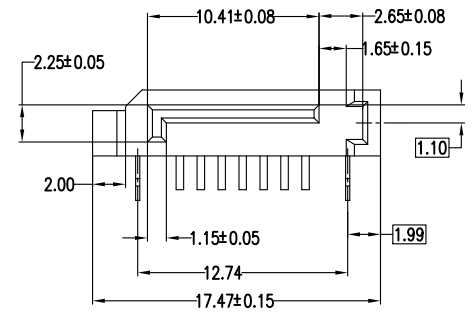
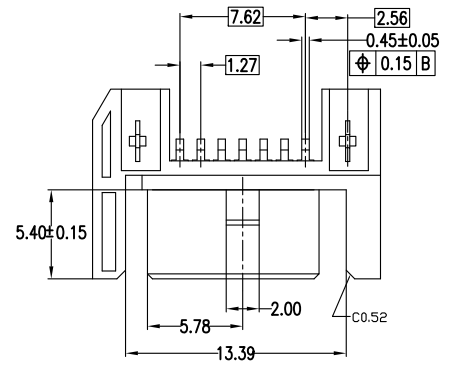
This document is the property of Amphenol Corporation and is delivered on the express condition that it is not to be disclosed, reproduced or used, in whole or in part, for manufacture or sale by anyone other than Amphenol Corporation without its prior consent, and that no right is granted to disclose or to use any information in this document.

The marking on this product doesn't contain environmental hazardous materials per Material Specification SS-00259 for Sony GP compliant or per directive 2002/95/EC for RoHS compliant.

CUSTOMER DRAWING

**PRELIMINARY RELEASE
SUBJECT TO CHANGE**

REVISIONS				
SYM	ECN No.	DESCRIPTION	DATE	APPROVED
AX1		UNAPPROVED REVISION	07/31/2008	Hunk Hsu



- NOTES:
- INSULATOR: HIGHT TEMPERATURE THERMOPLASTIC, UL 94V-0, COLOR- BLACK
 - CONTACT: BRASS, SELECTIVE GOLD PLATING ON CONTACT AREA, TIN PLATING ON SOLDERING TAIL
CONTACT FINISH CODES: "0"- GOLD FLASH
"1"- 15μ" GOLD
"2"- 30μ" GOLD
 - BOARDLOCK: BRASS, TIN PLATED
 - THIS PRODUCT DOESN'T CONTAIN ENVIRONMENTAL HAZARDOUS MATERIALS PER DIRECTIVE 2002/95/EC FOR RoHS
 - PER AMTA PACKING SPECIFICATION PKS-0001
 - △ ARE CRITICAL DIMENSIONS

TOLERANCE m/m	APPROVALS	DATE	TITLE	Amphenol® Amphenol Corporation Amphenol Taiwan Corporation	
x. ±0.30	DRAWN		G16A SERIES	SCALE N.A.	SHEET 1 OF 1
x.X ±0.25	CHECKED		SATA CONNECTOR FOR CARD		
x.XX ±0.15	APPROVED		SIGNAL, 7 POSITIONS, MALE		
x.XXX ±0.08			RIGHT ANGLE, DIP TYPE		
ANGULAR ±2°					
UNLESS OTHERWISE SPECIFIED			SIZE A4	PART NO. G16A 1X2 1X EU	REV. AX1
	UNIT MM		DRAWING NO. SKT-G16A1X21XTEU-16		