

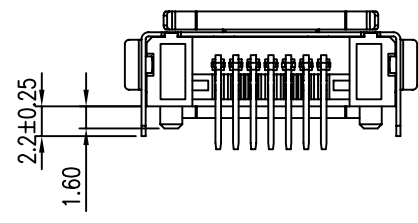
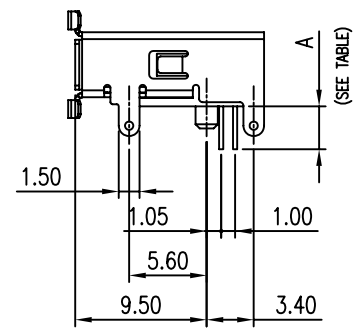
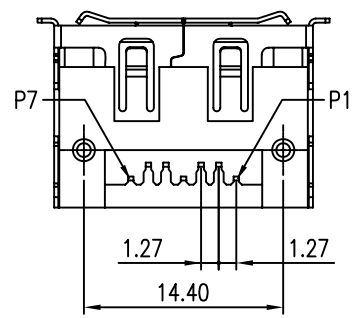
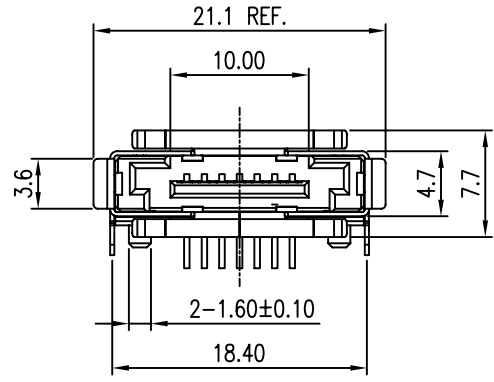
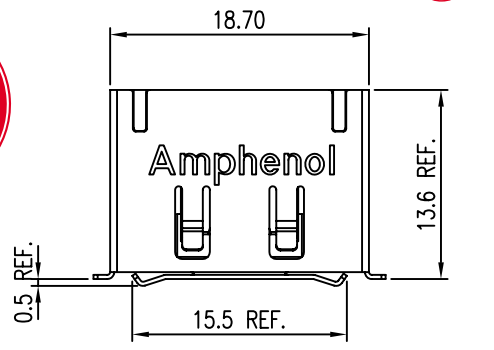
This document is the property of Amphenol Corporation and is delivered on the express condition that it is not to be disclosed, reproduced or used, in whole or in part, for manufacture or sale by anyone other than Amphenol Corporation without its prior consent, and that no right is granted to disclose or to use any information in this document.

The marking on this product doesn't contain environmental hazardous materials per Material Specification SS-00259 for Sony GP compliant or per directive 2002/95/EC for RoHS compliant.

CUSTOMER DRAWING

ORIGINAL

REVISIONS				
SYM	ECN No.	DESCRIPTION	DATE	APPROVED
A		RELEASE TO PRODUCTION	07/12/2007	Hank Hsu
B	NE-08016	MODIFIED TITLE	11/09/2007	Hank Hsu
C	NE-08187	ADD TERMINAL STYLE	05/22/2008	Hank Hsu
D	NE-08244	ADD P1&P7 MARKED	07/09/2008	Hank Hsu
E	NE-09009	MODIFIED PART NO	01/14/2009	Hank Hsu



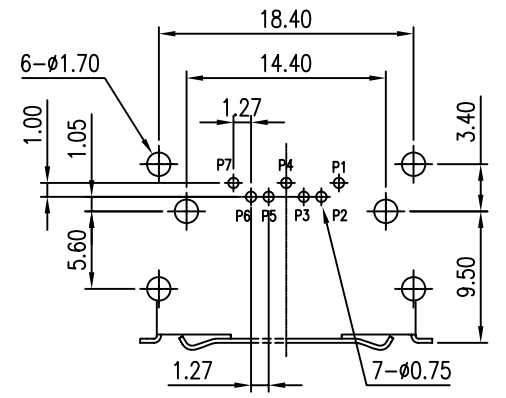
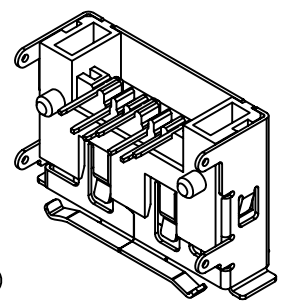
P/N SYSTEM:
G09 1 1 X X 3 0 X X LF

CONTACT FINISH:
0: CONTACT:GOLD FLASH; SHELL:NICKEL PLATING
2: CONTACT:30u" GOLD; SHELL:TIN PLATING
3: CONTACT:30u" GOLD; SHELL:NICKEL PLATING + GOLD FLASH
4: CONTACT:30u" GOLD; SHELL:NICKEL PLATING
5: CONTACT:15u" GOLD; SHELL:NICKEL PLATING
6: CONTACT:GOLD FLASH; SHELL:TIN PLATING
7: CONTACT:GOLD FLASH; SHELL:NICKEL PLATING + GOLD FLASH
8: CONTACT:15u" GOLD; SHELL:NICKEL PLATING + GOLD FLASH

EXTENSION CODE:
BLANK: AMPHEMOL LOGO
A: W/O LOGO

PACKAGING CODE:
0: TAPE AND RELL PACKING
1: TRAY PACKAGING
2: TUBE PACKAGING

TERMINAL STYLE:
2: DIP TYPE
8: DIP TYPE(FOR 1.30mm PCB)



RECOMMENDED PCB LAYOUT (TOP VIEW)
(ALL TOLERANCE ARE ±0.05)

- NOTES:
- INSULATOR: HIGH TEMPERATURE THERMOPLASTIC , UL 94V-0, COLOR- BLACK
 - CONTACT: COPPER ALLOY, 0.3mm THICKNESS, SELECTIVE GOLD PLATED ON CONTACT AREA, TIN PLATED ON SOLDERING TAIL 50u" NICKEL UNDERPLATING OVER ALL
 - SHELL: COPPER ALLOY, 0.3mm THICKNESS, NICKEL PLATED
 - THIS PRODUCT DOESN'T CONTAIN ENVIRONMENTAL HAZARDOUS MATERIALS PER MATERIAL SPECIFICATION SS-00259 FOR SONY GP
 - PACKING PER AMTA PACKING SPECIFICATION PKS-0001
 - △ ARE CRITICAL DIMENSIONS

G0911X830XXLF	2.05±0.2
G0911X230XXLF	3.10±0.25
PART NUMBER	A

TOLERANCE m/m	APPROVALS	DATE	TITLE	Amphenol® Amphenol Corporation Amphenol Taiwan Corporation	
x. ±0.30	DRAWN Chenny Yeh	01/14/09	G09 SERIES E-SATA CONNECTOR PLUG, 7-POS. R/A DIP, NORMAL	SCALE	N.A.
x.x ±0.25	CHECKED Daniel Hsieh	01/14/09		SHEET	1 OF 2
x.xx ±0.15	APPROVED Sondra Sang	01/14/09		DWG NO.	T473-G0911X230XXLF-29
x.xxx ±0.08			SIZE	A4	REV.
ANGULAR ±2'			UNIT	MM	E
UNLESS OTHERWISE SPECIFIED					

This document is the property of Amphenol Corporation and is delivered on the express condition that it is not to be disclosed, reproduced or used, in whole or in part, for manufacture or sale by anyone other than Amphenol Corporation without its prior consent, and that no right is granted to disclose or to use any information in this document.

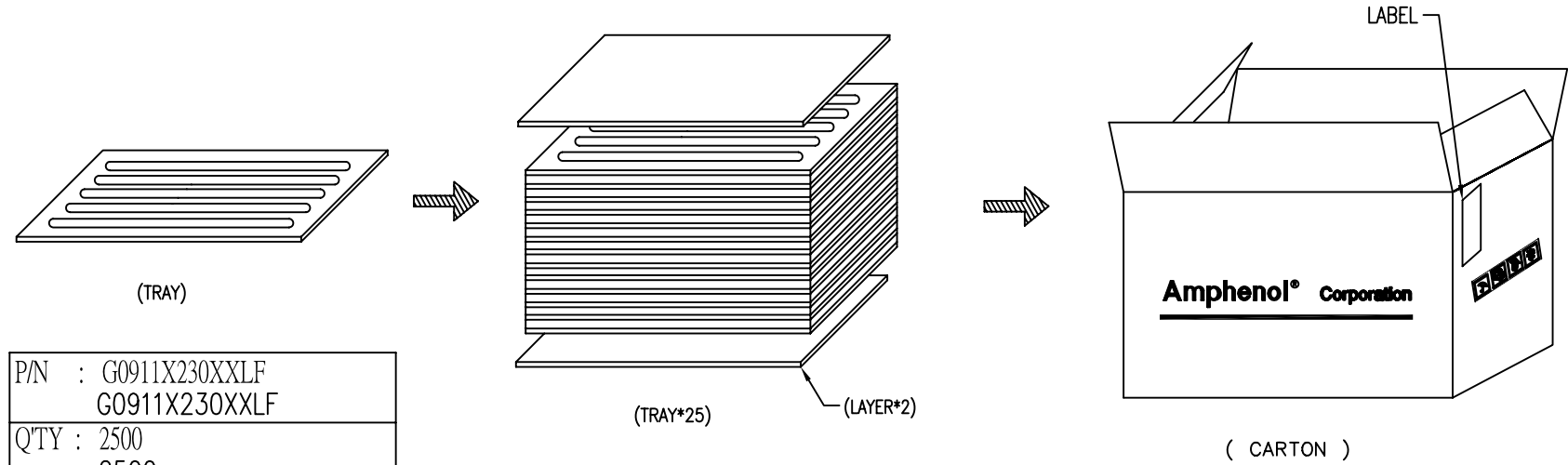
The marking on this product doesn't contain environmental hazardous materials per Material Specification SS-00259 for Sony GP compliant or per directive 2002/95/EC for RoHS compliant.



CUSTOMER DRAWING ORIGINAL



REVISIONS				
SYM	ECN No.	DESCRIPTION	DATE	APPROVED
A		RELEASE TO PRODUCTION	07/12/2007	Hank Hsu
B	NE-08016	MODIFIED TITLE	11/09/2007	Hank Hsu
C	NE-08187	ADD TERMINAL STYLE	05/22/2008	Hank Hsu
D	NE-08244	ADD P1&P7 MARKED	07/09/2008	Hank Hsu
E	NE-09009	MODIFIED PART NO	01/14/2009	Hank Hsu



P/N : G0911X230XXLF G0911X230XXLF
QTY : 2500 2500
P/O : 411-012345-001 411-012345-001
DATE : 06 / 31 / 2007 MM / DD / YYYY
G.W : 15.00 KG GP
Amphenol Taiwan Corporation

LABEL

PART NO.	PCS/TRAY	TRAY/CARTON	PCS/CARTON	PE BAG	LAYER
G09 SERIES	100	25	2500	1	2

(* *) FOR REFERENCE

TOLERANCE m/m	APPROVALS	DATE	TITLE		Amphenol® Amphenol Corporation Amphenol Taiwan Corporation	
x. ±0.30	DRAWN Chenny Yeh	01/14/09	G09 SERIES E-SATA CONNECTOR PLUG, 7-POS. R/A DIP, NORMAL		SCALE N.A. SHEET 2 OF 2	
x.x ±0.25	CHECKED Daniel Hsieh	01/14/09			REV. E	
x.xxx ±0.08	APPROVED Sondra Sang	01/14/09			DWG NO. T473-G0911X230XXLF-29	
ANGULAR ±2°	UNIT	MM	SIZE A4	PART NO. G09 11XX 30XX LF		
UNLESS OTHERWISE SPECIFIED						