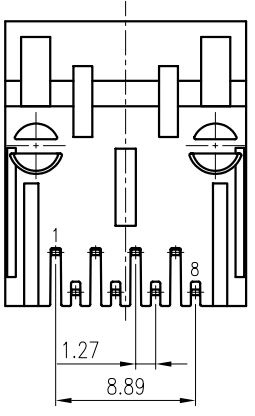
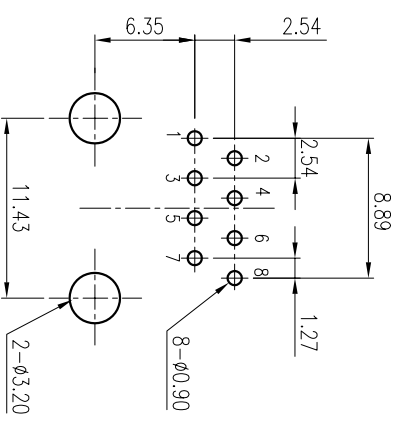
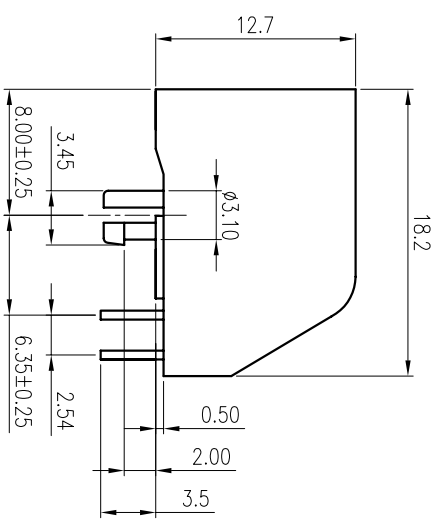
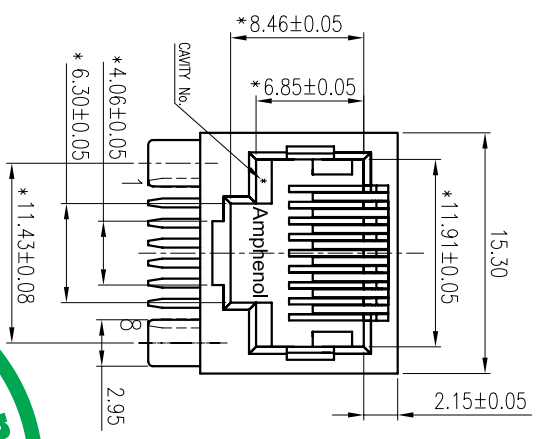


This document is the property of Amphenol Corporation and is delivered on the express condition that it not be disclosed, reproduced or used, in whole or in part, for manufacture or sale by anyone other than Amphenol Corporation without its prior consent, and that no right is granted to disclose or to use any information in this document.  
The marking on this product doesn't contain environmental hazardous materials per Material Specification SS-00259 for Sony GP compliant or per directive 2002/95/EC for RoHS compliant

# CUSTOMER DRAWING

REVISIONS		DATE	APPROVED
SYM	ECN No.	DESCRIPTION	
A		NEW REVISION	Greg L



**RECOMMENDED PCB LAYOUT- TOP VIEW**  
(ALL TOLERANCES ARE ±0.05)

PART NUMBER	TITLE	UNIT	SIZE	PART No.	FINISH
G71B 0343 X 00 EU	PANTONE COOL YELLOW P114C	mm	A3	G71B 034X 4 00 EU	50µ"
G71B 0342 X 00 EU	PANTONE COOL GRAY 3C MATTE	mm	A3	G71B 034X 3 00 EU	30µ"
G71B 0341 X 00 EU	BLACK	mm	A3	G71B 034X 2 00 EU	15µ"
	HOUSING COLOR	mm	A3	G71B 034X 1 00 EU	6µ"

- NOTES:**
- HOUSING: PBT MIXED GLASS FIBER, UL 94V-0, COLOR- SEE TABLE
  - RJ MATING CONTACT: PHOSPHOR BRONZE, 0.35 MM THICKNESS, 100µ" MIN. NICKEL UNDER-PLATING OVERALL
  - SELECTIVE GOLD PLATING ON CONTACT AREA {SEE ORDERING TABLE}
  - PCB SOLDER TAIL: PURE MATTE TIN FINISH
  - WAVE SOLDER TEMP: 245 DEG. C PEAK 5 SEC.
  - THIS PRODUCT IS ROHS COMPLIANT, IT DOES NOT CONTAIN ENVIRONMENTAL HAZARDOUS MATERIALS PER DIRECTIVE 2002/95/EC FOR RoHS.
  - MECHANICAL: 750 MATED/UNMATED CYCLES @300 CYCLES PER MIN.
  - JACK CONFORMS TO FCC PART 68 SUBPART F
  - THIS PACKING MUST BE PER Amphenol PACKING SPECIFICATION PKS-0001

TOLERANCE	APPROVALS	DATE	TITLE	UNIT	SIZE	PART No.
X ±0.30	DRAWN Alex Zhong	Mar. 16.09	G71B034 SERIES MODULAR JACK	mm	A3	G71B 034 X X00 EU
XX ±0.20	CHECKED Joson Zhan	Mar. 16.09	RJ45 8P8C, SIDE ENTRY	mm	A3	Amphenol Corporation
XXX ±0.10	APPROVED Greg L	Mar. 16.09	LOW PROFILE 11.43mm PCB Post	mm	A3	Amphenol Taiwan Corporation
XXXX ±0.10	APPROVED Greg L	Mar. 16.09		mm	A3	
ANGULAR ±1°	DWG TYPE CUST DWG	PROJECT CODE MAIK		SCALE N/A	SHEET 1 OF 1	DWG No. G71B034XX00EU
UNLESS OTHERWISE SPECIFIED						REV. A



Amphenol Corporation  
Amphenol Taiwan Corporation