

This document is the property of Amphenol Corporation and is delivered on the express condition that it is not to be disclosed, reproduced or used, in whole or in part, for manufacture or sale by anyone other than Amphenol Corporation without its prior consent, and that no right is granted to disclose or to use any information in this document.

** THIS PRODUCT DIDN'T HAVE ENVIRONMENT- RELATED SUBSTANCES PER MATERIALS SPECIFICATION #MS-S001, LEVEL 1. WHEN THE TIME SET SCHEDULE OF LEVEL 2 IS EXPIRY, THE SUBSTANCES SHALL NOT BE CONTAINED WITH THIS PRODUCT.

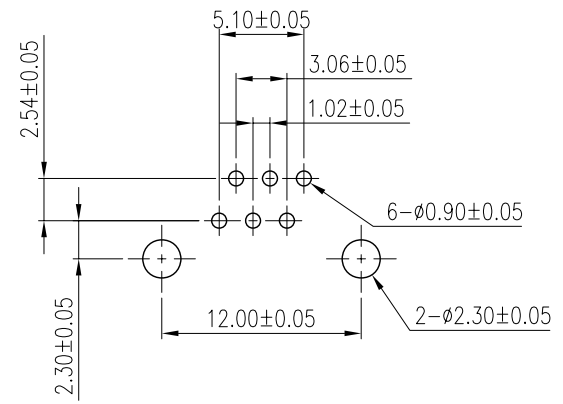
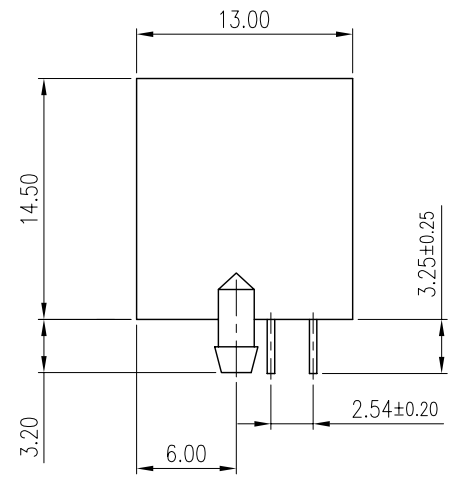
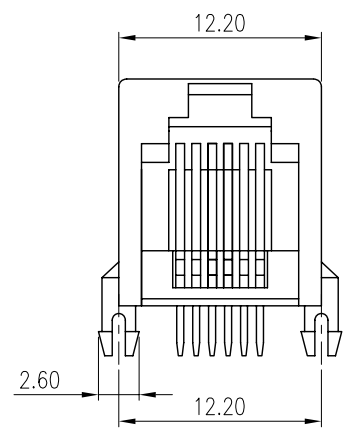


CUSTOMER DRAWING

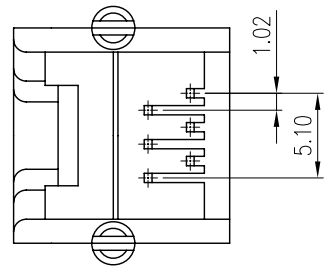
ORIGINAL



REVISIONS				
SYM	ECN No.	DESCRIPTION	DATE	APPROVED
A		RELEASE FOR PRODUCTION	12/24/2007	Hank Hsu



RECOMMENDED PCB LAYOUT



NOTES:

- INSULATOR: PBT, GLASS FIBER FILLED, UL94V-0, COLOR- BLACK
- CONTACT: PHOSPHOR BRONZE, ∅0.45mm DIAMETER, PLATED WITH HARD GOLD
- THIS PRODUCT DOESN'T CONTAIN ENVIRONMENTAL HAZARDOUS MATERIAL PER DIRECTIVE 2002/95/EC FOR RoHS.
- FOR DIP PROCESS ONLY

G71C 0199 4 00 EU	50u"
G71C 0199 3 00 EU	30u"
G71C 0199 2 00 EU	15u"
G71C 0199 1 00 EU	6u"
PART NUMBER	FINISH

TOLERANCE	m/m	APPROVALS	DATE
x.	±0.30	DRAWN	
x.x	±0.25	Nealson Wang	12/24/07
x.xx	±0.15	CHECKED	
x.xxx	±0.08	Sondra Song	12/24/07
ANGULAR	±2°	APPROVED	
		Hank Hsu	12/24/07

TITLE	
G71C SERIES	
6P6C, SIDE ENTRY, DIP TYPE	
MINI LOW PROFILE	

Amphenol®
Amphenol Corporation
Amphenol Taiwan Corporation

SCALE N.A. SHEET 1 OF 1

SIZE	PART NO.	DRAWING NO.	REV.
A4	G71C 0199X 00 EU	MJK-G71C0199X00EU-04	A

UNLESS OTHERWISE SPECIFIED	UNIT
	MM