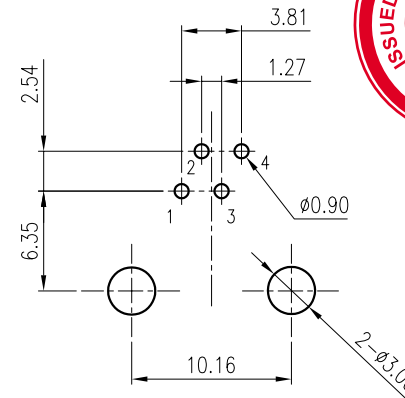
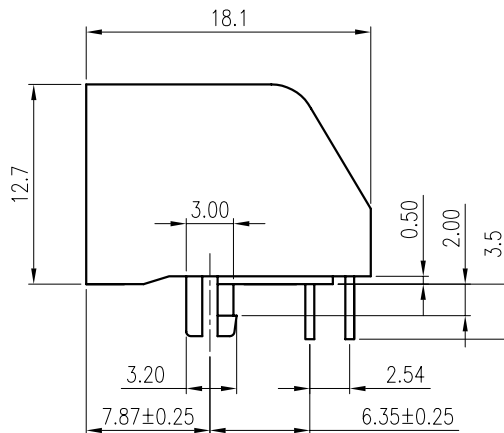
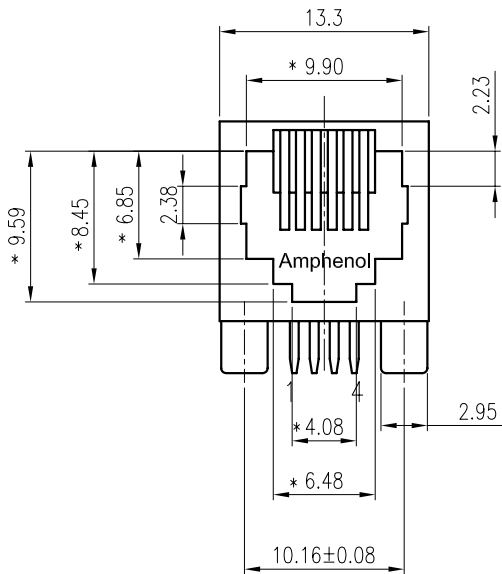


This document is the property of Amphenol Corporation and is delivered on the express condition that is not to be disclosed, reproduced or used, in whole or in part, for manufacture or sale by anyone other than Amphenol Corporation without its prior consent, and that no right is granted to disclose or to use any information in this document.

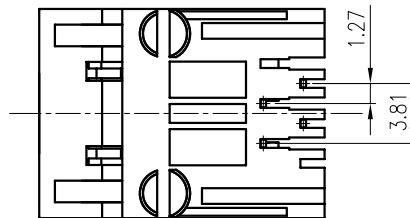
The marking on this product doesn't contain environmental hazardous materials per Material Specification SS-00259 for Sony GP compliant or per directive 2002/95/EC for RoHS compliant.

# CUSTOMER DRAWING ORIGINAL

REVISIONS				
SYM	ECN No.	DESCRIPTION	DATE	APPROVED
A		NEW REVISION	10/24/2008	Greg L
B		MODIFY THE BOTTOM APPEARANCE	01/12/2009	Greg L
C		INCREASE A NEW TYPE	05/05/2009	Greg L



RECOMMENDED PCB LAYOUT- TOP VIEW  
(ALL TOLERANCES ARE ±0.05)



G71C 0334 X 00 EU	PANTONE RED 185C	G71C 033X 4 00 EU	50μ"
G71C 0333 X 00 EU	PANTONE HEXACHROME GREEN C COLOR	G71C 033X 3 00 EU	30μ"
G71C 0332 X 00 EU	PANTONE COOL GRAY 3C MATTE	G71C 033X 2 00 EU	15μ"
G71C 0331 X 00 EU	BLACK	G71C 033X 1 00 EU	6μ"
PART NUMBER	HOUSING COLOR	PART NUMBER	FINISH

**NOTES:**

- INSULATOR: PBT MIXED GLASS FIBER, UL 94V-0, COLOR- SEE THE TABLE
- CONTACT: PHOSPHOR BRONZE, 0.35 MM THICKNESS, SELECTIVE GOLD PLATED ON CONTACT AREA, FLASH GOLD PLATED ON SOLDER AREA, 50? MIN. NICKEL UNDER-PLATING OVERALL
- THIS PRODUCT DOESN'T CONTAIN ENVIRONMENTAL HAZARDOUS MATERIALS PER DIRECTIVE 2002/95/EC FOR RoHS.
- THIS PACKING MUST BE PER Amphenol PACKING SPECIFICATION PKS-0001

TOLERANCE	APPROVALS	DATE	TITLE	UNIT	SCALE	SIZE	SHEET	PART No.	DWG No.	REV.
X. ±0.30 X.X ±0.20 X.XX ±0.20 X.XXX ±0.10	DRAWN Alex Zhong CHECKED Jason Zhan APPROVED Greg L	MAY/05/09 MAY/05/09 MAY/05/09	MODULAR JACK 6P4C, SIDE ENTRY LOW PROFILE	mm	NA	A3	1 OF 1	G71C 033X X 00 EU	G71C033XX00EU	C
ANGULAR ±1°	DWG TYPE CUST DWG	PROJECT CODE								
UNLESS OTHERWISE SPECIFIED										

**Amphenol**<sup>®</sup>  
Amphenol Corporation  
Amphenol Taiwan Corporation