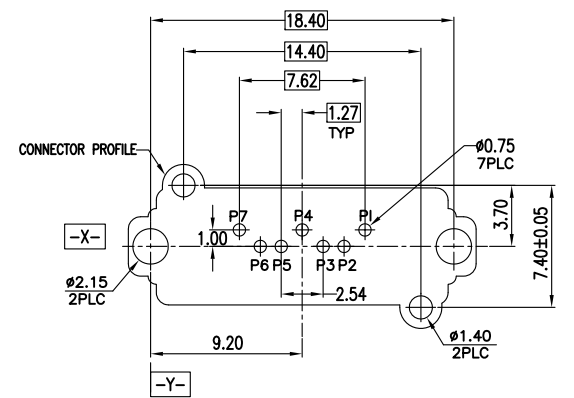
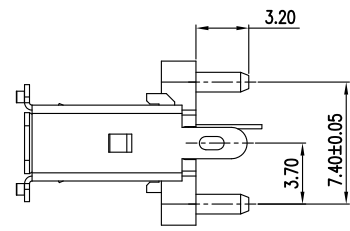
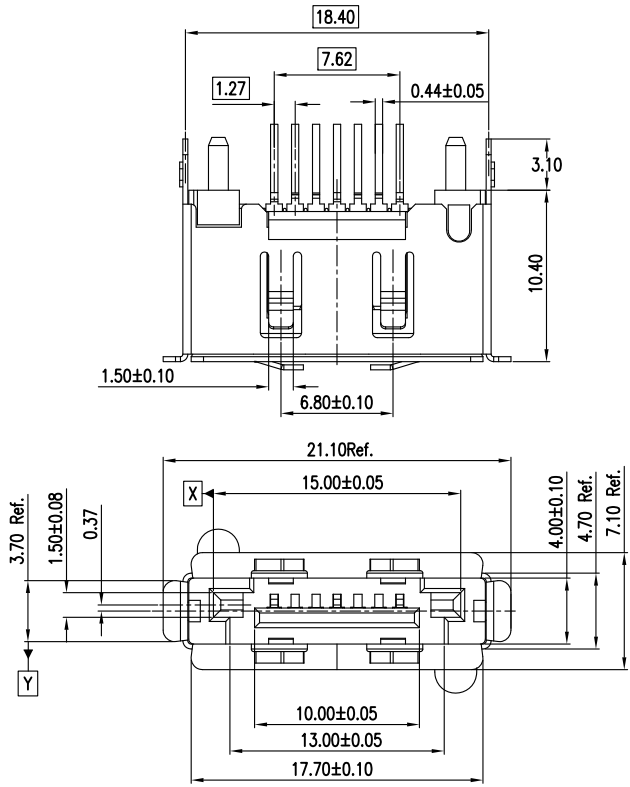


This document is the property of Amphenol Corporation and is delivered on the express condition that it is not to be disclosed, reproduced or used, in whole or in part, for manufacture or sale by anyone other than Amphenol Corporation without its prior consent, and that no right is granted to disclose or to use any information in this document.

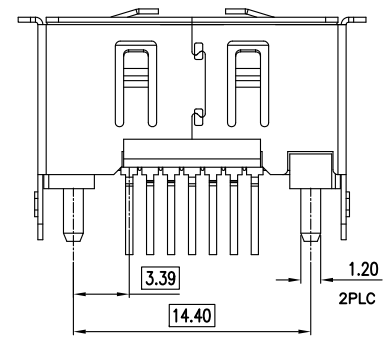
The marking on this product doesn't contain environmental hazardous materials per Material Specification SS-00259 for Sony GP compliant or per directive 2002/95/EC for RoHS compliant.

CUSTOMER DRAWING

REVISIONS				
SYM	ECN No.	DESCRIPTION	DATE	APPROVED
AX1		UNAPPROVED REVISION	08/01/2008	Hank Hsu



RECOMMEND P.C.BOARD MOUNTING DIMENSIONS t=1.60mm



NOTES:

- INSULATOR: HIGHT TEMPERATURE THERMOPLASTIC, UL 94V-0, COLOR- BLACK
- CONTACT: BRASS, SELECTIVE GOLD PLATING ON CONTACT AREA, TIN PLATING ON SOLDERING TAIL
CONTACT FINISH CODES: "0"- GOLD FLASH;SHELL:NICKEL PLATED
"5"- 15μ" GOLD;SHELL:NICKEL PLATED
"4"- 30μ" GOLD;SHELL:NICKEL PLATED
- SHELL: BRASS, NICKEL PLATED
- THIS PRODUCT DOESN'T CONTAIN ENVIRONMENTAL HAZARDOUS MATERIALS PER DIRECTIVE 2002/95/EC FOR RoHS
- PER AMTA PACKING SPECIFICATION PKS-0001

TOLERANCE m/m		APPROVALS		DATE	TITLE		Amphenol®	
x.	±0.30	DRAWN			G09 SERIES		Amphenol Corporation Amphenol Taiwan Corporation	
x.x	±0.25	CHECKED			E-SATA			
x.xx	±0.15	APPROVED			PLUG, 7-POS.			
x.xxx	±0.08				STRAIGHT DIP			
ANGULAR ±2°					SIZE	PART NO.	DRAWING NO.	REV.
UNLESS OTHERWISE SPECIFIED		UNIT		MM	A4	G09 13X2 3X1AEU	SKT-G0913X23X1ATEU-16	AX1

SCALE N.A. SHEET 1 OF 1