

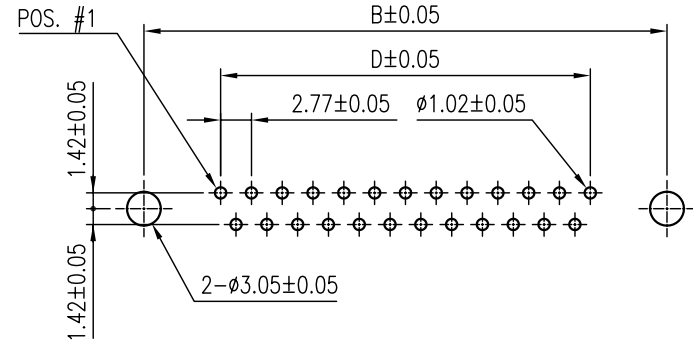
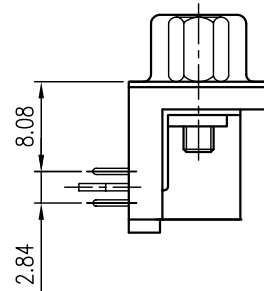
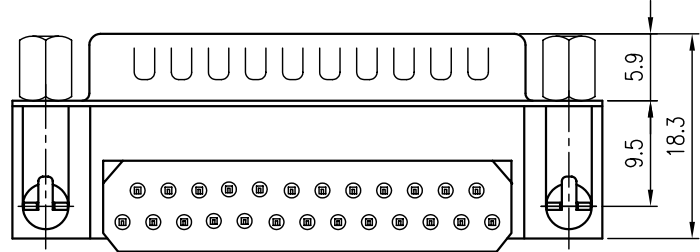
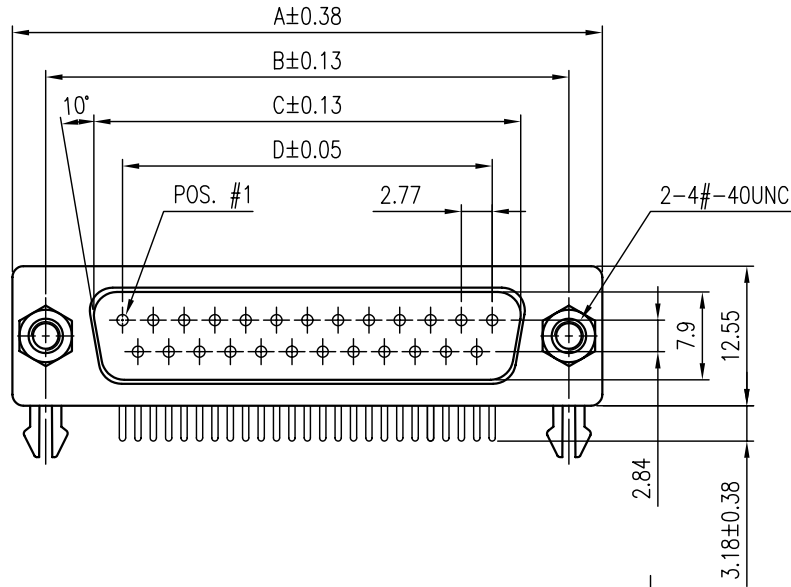
This document is the property of Amphenol Corporation and is delivered on the express condition that it is not to be disclosed, reproduced or used, in whole or in part, for manufacture or sale by anyone other than Amphenol Corporation without its prior consent, and that no right is granted to disclose or to use any information in this document.

MFG CODE: VY-S01

CUSTOMER DRAWING

ORIGINAL

REVISIONS			
SYM	ECN No.	DESCRIPTION	DATE APPROVED
A		RELEASE TO PRODUCTION	08/27/2002 Arthur Huang



RECOMMENDED PCB LAYOUT



NOTES:

- FRONT SHELL FINISH: SELECTIVE PLATED
- CONTACTS FINISH: SELECTIVE GOLD PLATED
- INSULATOR: THERMOPLASTIC UL94V-0, COLOR BLACK

PART NUMBER	NO. OF CONTACTS	DIM. A	DIM. B	DIM. C	DIM. D	TOLERANCE m/m	APPROVALS		DATE	TITLE		<b>Amphenol®</b> <b>Amphenol Corporation</b> <b>Amphenol Taiwan Corporation</b>						
							DRAWN	CHECKED	APPROVED	DATE	SIZE			PART NO.	DRAWING NO.	REV.		
G17U 091 XX32	9	30.84	24.99	16.92	11.09	x. ±0.30	Ivy Hsu		08/27/02	G17U SERIES	R/A D-SUB PLUG	SCALE N.A.	SHEET 1 OF 1					
G17U 151 XX32	15	39.24	33.32	24.70	19.39	x.x ±0.25	Sondra Sang		08/27/02	8.08MM FOOTPRINT	WITH FERRITE							
G17U 251 XX32	25	53.04	47.04	38.96	33.24	x.xxx ±0.08	Ken Lin for		08/27/02									
G17U 371 XX32	37	69.34	63.50	55.42	49.86	ANGULAR ±2°												
UNLESS OTHERWISE SPECIFIED									UNIT	MM	SIZE	A3	PART NO.	G17U XX 1 XX 32	DRAWING NO.	DSUB-G17UXX1XX32-25	REV.	A