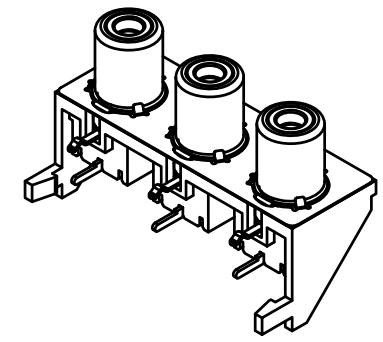
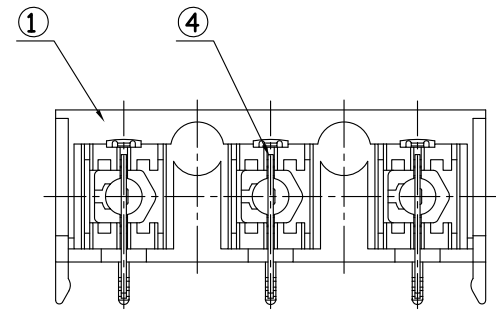
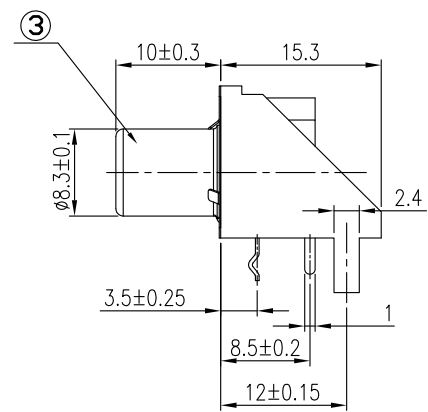
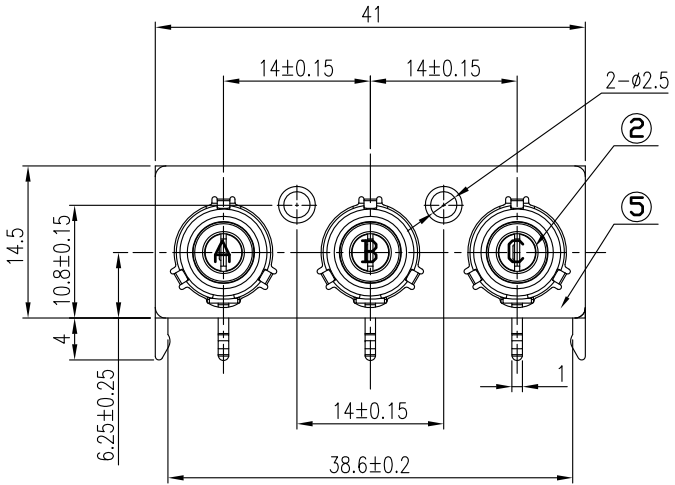


This document is the property of Amphenol Corporation and is delivered on the express condition that it is not to be disclosed, reproduced or used, in whole or in part, for manufacture or sale by anyone other than Amphenol Corporation without its prior consent, and that no right is granted to disclose or to use any information in this document.

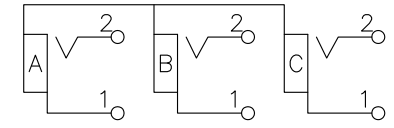
The marking on this product doesn't contain environmental hazardous materials per Material Specification 55-00259 for Sony GP compliant or per directive 2002/95/EC for RoHS compliant.

**PRELIMINARY RELEASE  
SUBJECT TO CHANGE**

REVISIONS				
SYM	ECN No.	DESCRIPTION	DATE	APPROVED
AX1		NON-RELEASE REVISION	05/26/2009	Arron Lin
AX2		MODIFIED MATERIAL	06/01/2009	Arron Lin
AX3		ADD PACKING DRAWING	06/17/2009	Arron Lin
AX4		MODIFIED DRAWING	06/30/2009	Arron Lin

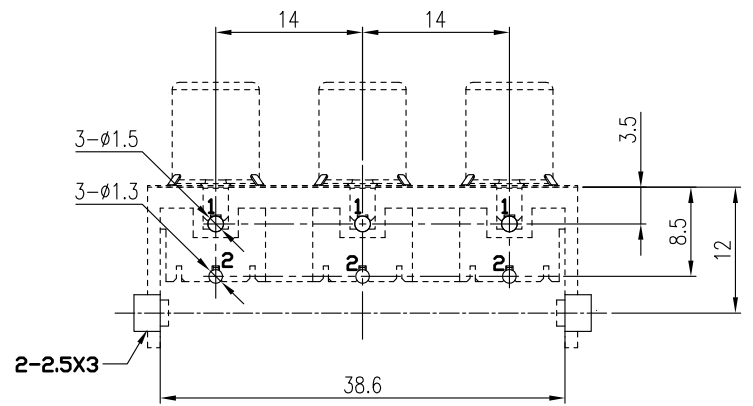


**A**      **B**      **C**  
 RED      BLUE      GREEN



Washer Color

Circuit Diagram



PCB Holes Diagram  
Top View

5	SHIELD		1	STAINLESS STEEL t=0.15	
4	TERMINAL		2	H62 t=0.5	CuSn-plated
3	OUTER CONTACT		3	H62 t=0.35	CuSn-plated
2	WASHER		3	PBT	
1	HOUSING		1	PBT	BLACK
NO.	PART NAME	TER.NO.	QT'Y	MATERIAL	REMARK

TOLERANCE	APPROVALS	DATE	TITLE	Amphenol®		
X. ±0.30	DRAWN Daniel Hsieh	06/30/2009	RCA JACK R/A, DIP TYPE	Amphenol Corporation Amphenol Taiwan Corporation		
X.X ±0.20	CHECKED Roger Tsai	06/30/2009				
X.XXX ±0.10	APPROVED Hank Hsu	06/30/2009		UNIT mm	SIZE A3	PART No. G2301118EU
ANGULAR ±1°	DWG TYPE CUST DWG	PROJECT CODE OTHER		SCALE NA	SHEET 1 OF 2	DWG No. G2301118EU
UNLESS OTHERWISE SPECIFIED						

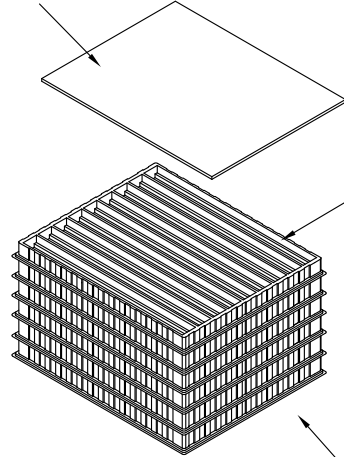
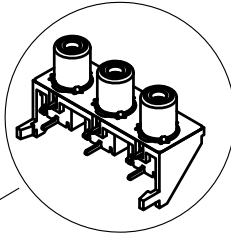
This document is the property of Amphenol Corporation and is delivered on the express condition that is not to be disclosed, reproduced or used, in whole or in part, for manufacture or sale by anyone other than Amphenol Corporation without its prior consent, and that no right is granted to disclose or to use any information in this document.

The marking on this product doesn't contain environmental hazardous materials per Material Specification 55-00259 for Sony GP compliant or per directive 2002/95/EC for RoHS compliant.

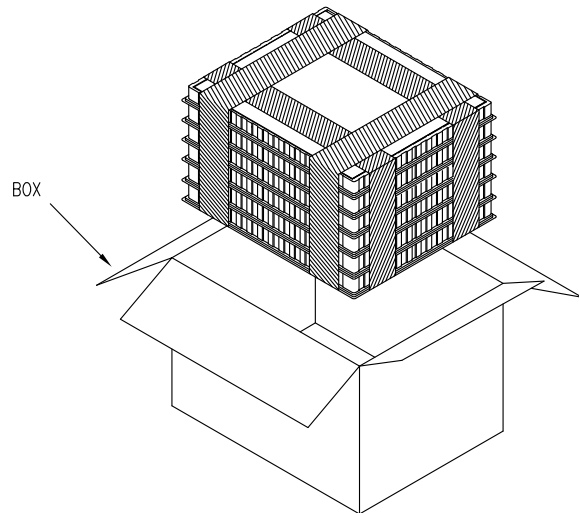
REVISIONS				
SYM	ECN No.	DESCRIPTION	DATE	APPROVED
AX1		NON-RELEASE REVISION	05/26/2009	Arron Lin
AX2		MODIFIED MATERIAL	06/01/2009	Arron Lin
AX3		ADD PACKING DRAWING	06/17/2009	Arron Lin
AX4		MODIFIED DRAWING	06/30/2009	Arron Lin

**PRELIMINARY RELEASE  
SUBJECT TO CHANGE**

CARDBOARD(6PCS/BOX)

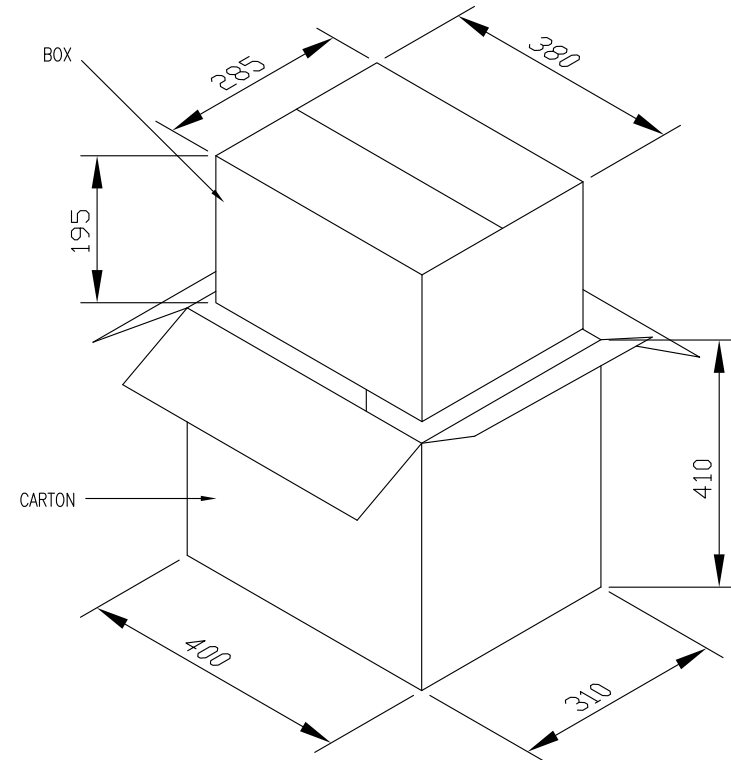


PLASTIC PLATE(6LAYERS/BOX)



BOX

- 1 CARTON
- =2 BOXES
- =12 LAYERS
- =72 PCS/LAYER
- =432 PCS/BOX
- =864 PCS
- N.W.=9Kg
- G.W.=12Kg



TOLERANCE		APPROVALS		DATE	TITLE		Amphenol®					
X.		DRAWN	Daniel Hsieh	06/30/2009	RCA JACK R/A, DIP TYPE		Amphenol Corporation Amphenol Taiwan Corporation					
X.X	±0.30	CHECKED	Roger Tsai	06/30/2009								
X.XX	±0.20	APPROVED	Hank Hsu	06/30/2009								
X.XXX	±0.10	DWG TYPE		PROJECT CODE	UNLESS OTHERWISE SPECIFIED	UNIT mm	SCALE NA	SIZE A3	SHEET 2 OF 2	PART No. G2301118EU	DWG No. G2301118EU	REV. AX4
ANGULAR	±1°	CUST DWG		OTHER								