

This document is the property of Amphenol Corporation and is delivered on the express condition that is not to be disclosed, reproduced or used, in whole or in part, for manufacture or sale by anyone other than Amphenol Corporation without its prior consent, and that no right is granted to disclose or to use any information in this document.

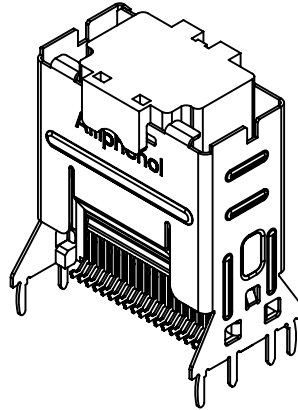
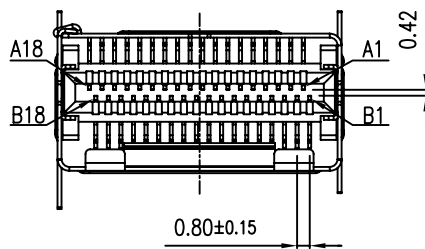
The marking on this product doesn't contain environmental hazardous materials per Material Specification 55-00259 for Sony GP compliant or per directive 2002/95/EC for RoHS compliant.



ORIGINAL

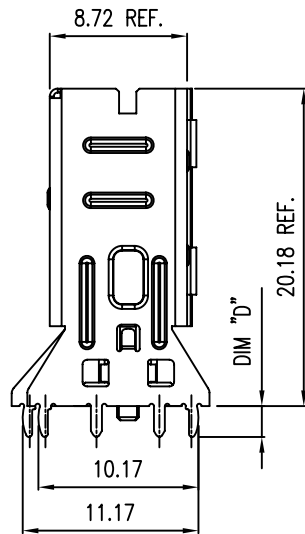
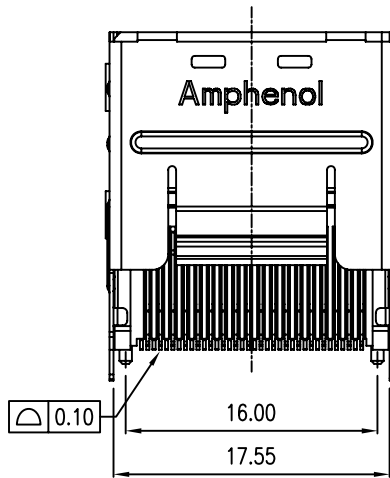


REVISIONS				
SYM	ECN No.	DESCRIPTION	DATE	APPROVED
A		RELEASE TO PRODUCTION	01/10/2009	Hank Hsu



NOTES:

- MATERIAL:  
CONTACT: PHOSPHOR BRONZE.  
HOUSING: LCP UL94V-0 RATED, BLACK COLOR.  
SHELL: COPPER ALLOY.
- CONTACT FINISH:  
CONTACT AREA: Au 15u" MIN.  
SOLDER AREA : MATT PURE TIN 120u".  
UNDERPLATING: NI 50u" MIN OVERALL.
- COPLANALITY: 0.10MM MAX.
- PRODUCT SPEC REFER TO PS-7326.
- PACKING IS PER AMTA PACKING SPECIFICATION PKS-0001.  
AND PACKING DRAWING REFER TO GT441P004EU.
- PART NUMBER SYSTEM REFER TO PNS-G40M.
- THIS PRODUCT DOESN'T CONTAIN ENVIRONMENTAL HAZARDOUS MATERIALS PER DIRECTIVE 2002/95/EC/ FOR RoHS.



G40M V 36 X X X X K EU

Key Options

- L: Left Key Shell
- R: Right Key Shell
- U: Universal Key Shell
- D: Dual Key Shell

- Contact Finish
- 1: Gold 15U"
  - 2: Gold 30U"

Packing Code

- A: Tray
- B: Tape & Reel

Cage Type

- 1: Dip Type,GND  
pin length=2.80mm
- 2: Dip Type,GND  
pin length=3.40mm
- 5: Dip Type,GND  
pin length=1.96mm

SOLDER TAIL OPTION	DIM "D"
1	2.80 mm
2	3.40 mm
5	1.96 mm

TOLERANCE	DRAWN	APPROVALS	DATE	TITLE							
X. X.X ±0.30 X.XX ±0.20 X.XXX ±0.10	DESIGNED	Roger Tsai	01/10/2009	MINI SAS VERTICAL DIP KINKED CONNECTOR	<div style="text-align: right;"> <b>Amphenol®</b>            Amphenol Corporation            Amphenol Taiwan Corporation         </div>						
	CHECKED	Daniel Hsieh	01/10/2009								
	APPROVED	Hank Hsu	01/10/2009								
ANGULAR ±1°	DWG TYPE	CUST DWG	PROJECT CODE	T435	UNIT	mm	SIZE	A3	PART No.	G40MV36XXXXKEU	
UNLESS OTHERWISE SPECIFIED					SCALE	NA	SHEET	1 OF 4	DWG No.	G40MV36XXXXKEU	
									REV.	A	

This document is the property of Amphenol Corporation and is delivered on the express condition that is not to be disclosed, reproduced or used, in whole or in part, for manufacture or sale by anyone other than Amphenol Corporation without its prior consent, and that no right is granted to disclose or to use any information in this document.

The marking on this product doesn't contain environmental hazardous materials per Material Specification 55-00259 for Sony GP compliant or per directive 2002/95/EC for RoHS compliant.

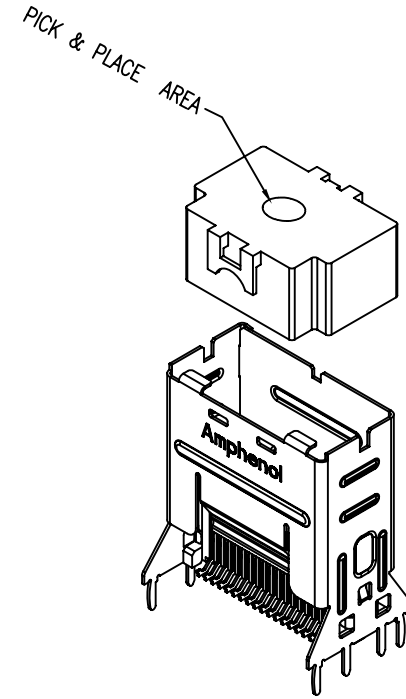
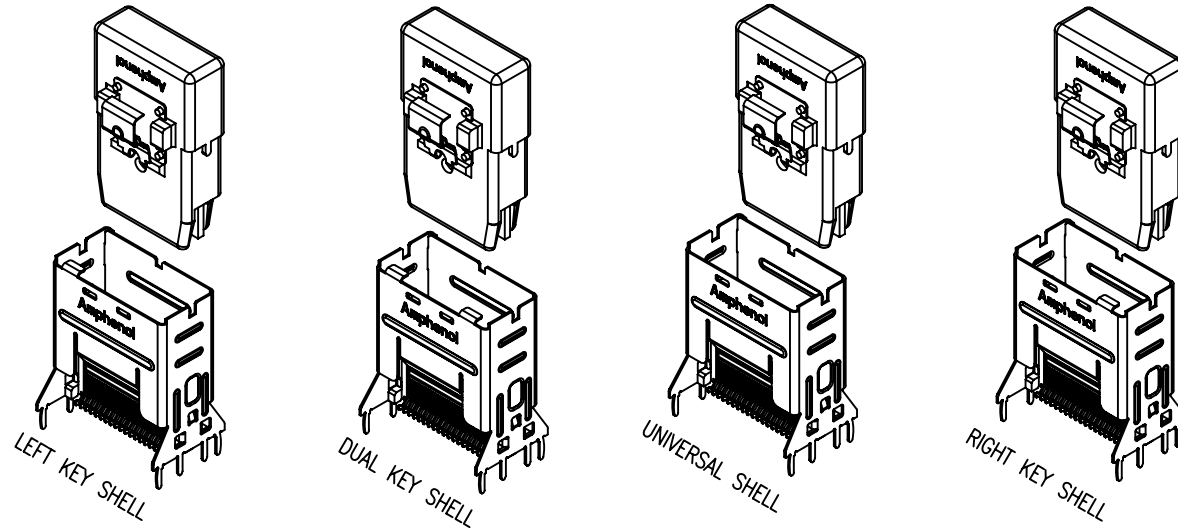


ORIGINAL



REVISIONS				
SYM	ECN No.	DESCRIPTION	DATE	APPROVED
A		RELEASE TO PRODUCTION	01/10/2009	Hank Hsu

PICK & PLACE  
PRE-POSITIONING DEVICE



POSITION	RIGHT KEY PLUG	LEFT KEY PLUG	UNIVERSAL PLUG	DUAL KEY SHELL
NO KEY PLUG	NO	NO	YES	NO
LEFT KEY PLUG	NO	YES	YES	NO
RIGHT KEY PLUG	YES	NO	YES	NO
UNIVERSAL PLUG	YES	YES	YES	YES

TOLERANCE	DRAWN	APPROVALS	DATE	TITLE								
X.				MINI SAS VERTICAL DIP KINKED CONNECTOR	<b>Amphenol®</b> Amphenol Corporation Amphenol Taiwan Corporation							
X.X ±0.30	DESIGNED	Roger Tsai	01/10/2009									
X.XX ±0.20	CHECKED	Daniel Hsieh	01/10/2009									
X.XXX ±0.10	APPROVED	Hank Hsu	01/10/2009									
ANGULAR ±1°	DWG TYPE	CUST DWG	PROJECT CODE		UNIT	mm	SIZE	A3	PART No.	G40MV36XXXXKEU		
UNLESS OTHERWISE SPECIFIED			T435		SCALE	NA	SHEET	2 OF 4	DWG No.	G40MV36XXXXKEU	REV.	A

This document is the property of Amphenol Corporation and is delivered on the express condition that is not to be disclosed, reproduced or used, in whole or in part, for manufacture or sale by anyone other than Amphenol Corporation without its prior consent, and that no right is granted to disclose or to use any information in this document.

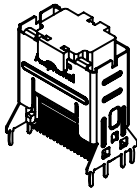
The marking on this product doesn't contain environmental hazardous materials per Material Specification SS-00259 for Sony GP compliant or per directive 2002/95/EC for RoHS compliant.

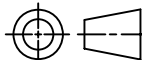


ORIGINAL



REVISIONS				
SYM	ECN No.	DESCRIPTION	DATE	APPROVED
A		RELEASE TO PRODUCTION	01/10/2009	Hank Hsu

Type	Plug or Receptacle	Position	Connector Type	Cage Type	Keying (optional)	Shell Tail (Length)	Plating	P/N
Vertical	 Receptacle	36-pos.	SMT	DIP (KINKED)	Dual Key Shell Universal Plug	1.96 mm	15u"	G40MV36D15XKEU
						30u"	G40MV36D25XKEU	
					Left Key	3.40 mm	15u"	G40MV36L12XKEU
						30u"	G40MV36L22XKEU	
					Right Key	3.40 mm	15u"	G40MV36R12XKEU
						30u"	G40MV36R22XKEU	
					Universal shell No Key Plug	3.40 mm	15u"	G40MV36U12XKEU
						30u"	G40MV36U22XKEU	
					Dual Key Shell Universal Plug	3.40 mm	15u"	G40MV36D12XKEU
						30u"	G40MV36D22XKEU	
					Left Key	2.80 mm	15u"	G40MV36L11XKEU
						30u"	G40MV36L21XKEU	
					Right Key	2.80 mm	15u"	G40MV36R11XKEU
						30u"	G40MV36R21XKEU	
					Universal shell No Key Plug	2.80 mm	15u"	G40MV36U11XKEU
						30u"	G40MV36U21XKEU	
Dual Key Shell Universal Plug	2.80 mm	15u"	G40MV36D11XKEU					
	30u"	G40MV36D21XKEU						

TOLERANCE		DRAWN	APPROVALS	DATE	TITLE		<b>Amphenol®</b> Amphenol Corporation Amphenol Taiwan Corporation		
X.		DESIGNED	Roger Tsai	01/10/2009	MINI SAS VERTICAL DIP KINKED CONNECTOR		PART No. G40MV36XXXXKEU DWG No. G40MV36XXXXKEU REV. A		
X.X	±0.30	CHECKED	Daniel Hsieh	01/10/2009					
X.XX	±0.20	APPROVED	Hank Hsu	01/10/2009		UNIT	mm	SIZE	A3
X.XXX	±0.10	DWG TYPE	CUST DWG	PROJECT CODE		T435	SCALE	NA	SHEET
ANGULAR ±1°									
UNLESS OTHERWISE SPECIFIED									

This document is the property of Amphenol Corporation and is delivered on the express condition that it is not to be disclosed, reproduced or used, in whole or in part, for manufacture or sale by anyone other than Amphenol Corporation without its prior consent, and that no right is granted to disclose or to use any information in this document.

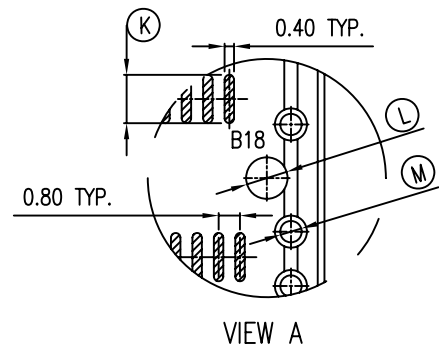
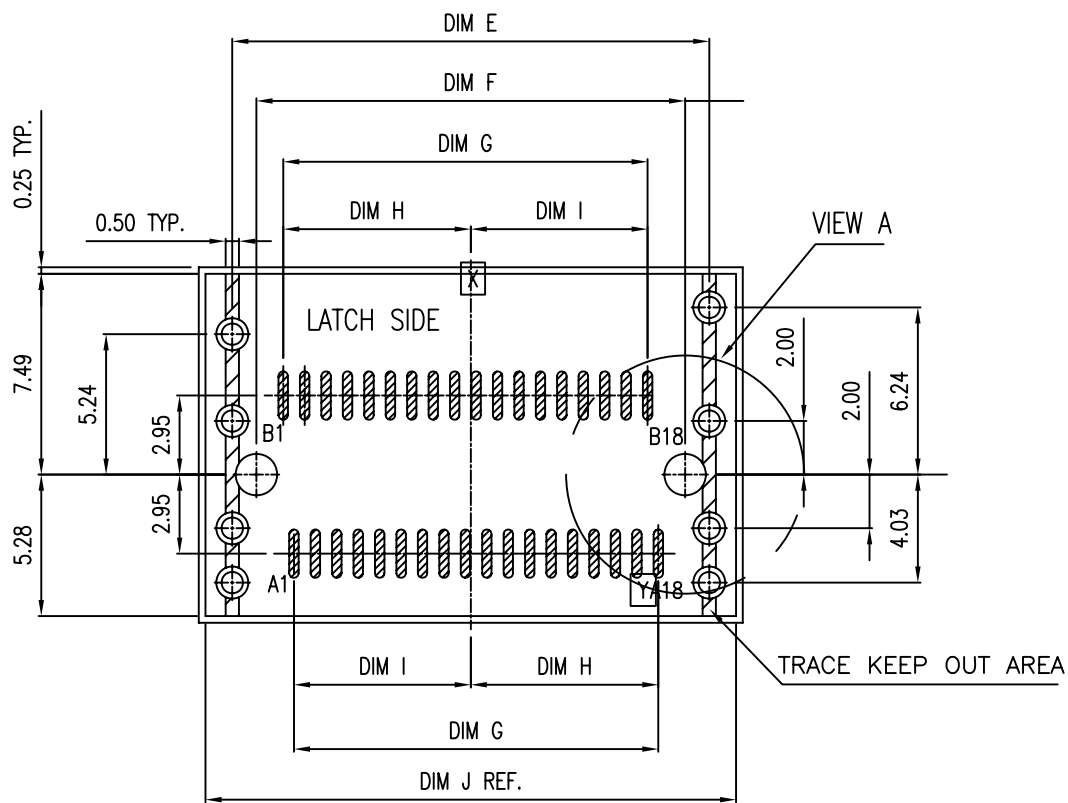
The marking on this product doesn't contain environmental hazardous materials per Material Specification SS-00259 for Sony GP compliant or per directive 2002/95/EC for RoHS compliant.



ORIGINAL



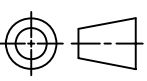
REVISIONS				
SYM	ECN No.	DESCRIPTION	DATE	APPROVED
A		RELEASE TO PRODUCTION	01/10/2009	Hank Hsu



Pointed		
Dim.(K)	1.80±0.03 TYP.	$\phi \ 0.05 \ \text{X Y}$
Dim.(L)	$\phi 1.55 \pm 0.05 \ (X2)$	$\phi \ 0.05 \ \text{X Y}$
Dim.(M)	$\phi 0.80 \pm 0.05 \ (X8)$	$\phi \ 0.05 \ \text{X Y}$

POSITION	DIM E	DIM F	DIM G	DIM H	DIM I	DIM J
36 PIN	17.80	16.00	13.60	7.00	6.60	20.80

VERTICAL DIP TYPE CONNECTOR RECOMMEND PCB LAYOUT

TOLERANCE	DRAWN	APPROVALS	DATE	TITLE		Amphenol®						
X. ±0.30	DESIGNED	Roger Tsai	01/10/2009	MINI SAS VERTICAL DIP KINKED CONNECTOR		Amphenol Corporation Amphenol Taiwan Corporation						
X.X ±0.20	CHECKED	Daniel Hsieh	01/10/2009									
X.XX ±0.10	APPROVED	Hank Hsu	01/10/2009			UNIT	mm	SIZE	A3	PART No.	G40MV36XXXXKEU	
ANGULAR ±1°	DWG TYPE	CUST DWG	PROJECT CODE			T435	SCALE	NA	SHEET	4 OF 4	DWG No.	G40MV36XXXXKEU
UNLESS OTHERWISE SPECIFIED												