

This document is the property of Amphenol Corporation and is delivered on the express condition that it is not to be disclosed, reproduced or used, in whole or in part, for manufacture or sale by anyone other than Amphenol Corporation without its prior consent, and that no right is granted to disclose or to use any information in this document.

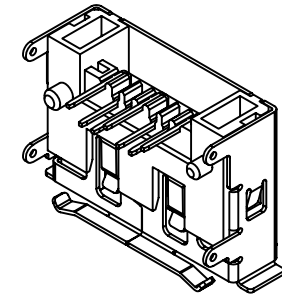
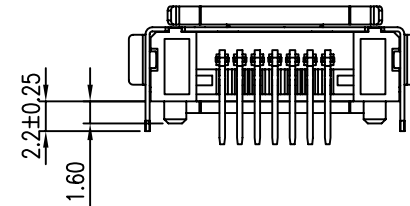
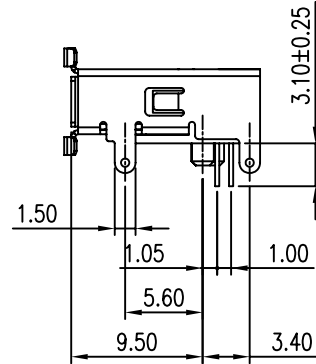
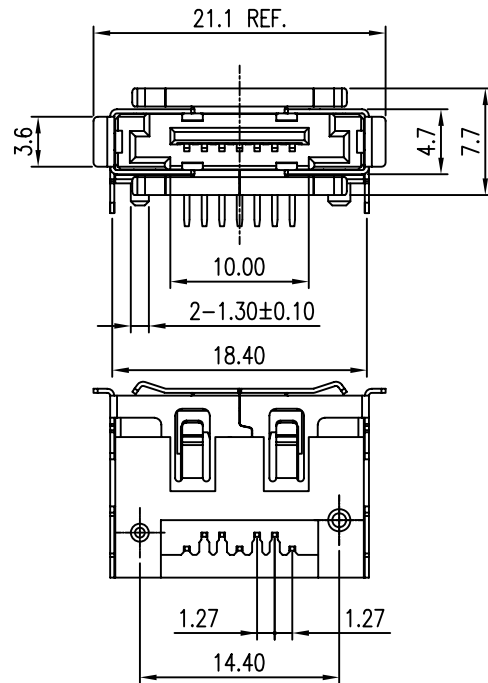
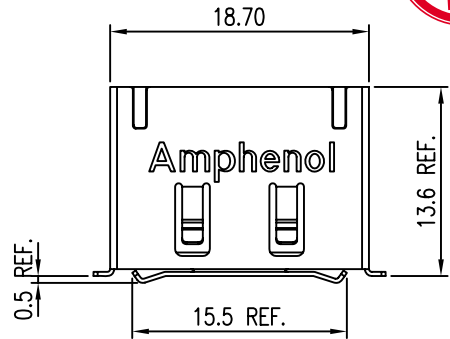
The marking on this product doesn't contain environmental hazardous materials per Material Specification SS-00259 for Sony GP compliant or per directive 2002/95/EC for RoHS compliant.



CUSTOMER DRAWING ORIGINAL



REVISIONS				
SYM	ECN No.	DESCRIPTION	DATE	APPROVED
A		RELEASE TO PRODUCTION	09/12/2007	Hank Hsu



P/N SYSTEM:

G09 1 2 X 2 3 0 X X LF

CONTACT FINISH:

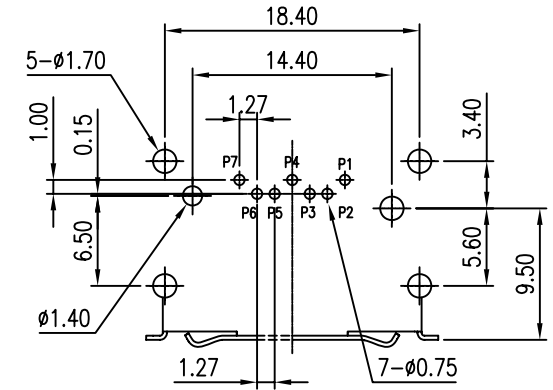
- 0: CONTACT:GOLD FLASH; SHELL:NICKEL PLATING
- 2: CONTACT:30u" GOLD; SHELL:TIN PLATING
- 3: CONTACT:30u" GOLD; SHELL:NICKEL PLATING + GOLD FLASH
- 4: CONTACT:30u" GOLD; SHELL:NICKEL PLATING
- 5: CONTACT:15u" GOLD; SHELL:NICKEL PLATING
- 6: CONTACT:GOLD FLASH; SHELL:TIN PLATING
- 7: CONTACT:GOLD FLASH; SHELL:NICKEL PLATING + GOLD FLASH
- 8: CONTACT:15u" GOLD; SHELL:NICKEL PLATING + GOLD FLASH

EXTENSION CODE:

- BLANK: AMPHEMOL LOGO
- A: W/O LOGO

PACKAGING CODE:

- 0: TAPE AND REEL PACKING
- 1: TRAY PACKAGING
- 2: TUBE PACKAGING



RECOMMENDED PCB LAYOUT (TOP VIEW)
(ALL TOLERANCE ARE ±0.05)

NOTES:

1. INSULATOR: HIGH TEMPERATURE THERMOPLASTIC, UL 94V-0, COLOR- BLACK
2. CONTACT: COPPER ALLOY, 0.3mm THICKNESS, SELECTIVE GOLD PLATED ON CONTACT AREA, TIN PLATED ON SOLDERING TAIL
3. SHELL: COPPER ALLOY, 0.3mm THICKNESS, NICKEL PLATED
4. THIS PRODUCT DOESN'T CONTAIN ENVIRONMENTAL HAZARDOUS MATERIALS PER MATERIAL SPECIFICATION SS-00259 FOR SONY GP
5. PACKING PER AMTA PACKING SPECIFICATION PKS-0001
6. Δ ARE CRITICAL DIMENSIONS

TOLERANCE m/m	APPROVALS	DATE	TITLE	Amphenol® Amphenol Corporation Amphenol Taiwan Corporation		
x. ±0.30	DRAWN CHENNY YEH	09/12/2007	G09 SERIES SATA II CONNECTOR PLUG, 7-POS. R/A DIP, REVERSE	SCALE	N.A.	SHEET 1 OF 1
x.x ±0.25	CHECKED SONDRA SANG	09/12/2007				
x.xx ±0.15	APPROVED HANK HSU	09/12/2007				
x.xxx ±0.08						
ANGULAR ±2'						
UNLESS OTHERWISE SPECIFIED		UNIT MM	SIZE A4	PART NO. G09 12X2 30XX LF	DWG NO. T473-G0912X230XXLF-29	REV. A

This document is the property of Amphenol Corporation and is delivered on the express condition that it is not to be disclosed, reproduced or used, in whole or in part, for manufacture or sale by anyone other than Amphenol Corporation without its prior consent, and that no right is granted to disclose or to use any information in this document.

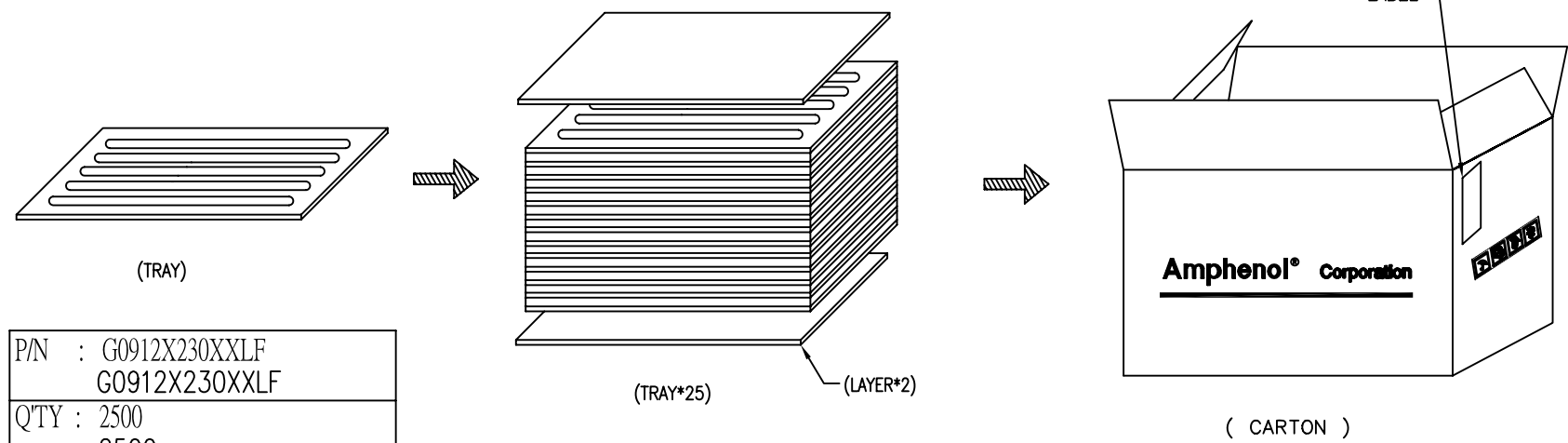
The marking on this product doesn't contain environmental hazardous materials per Material Specification SS-00259 for Sony GP compliant or per directive 2002/95/EC for RoHS compliant.



CUSTOMER DRAWING ORIGINAL



REVISIONS				
SYM	ECN No.	DESCRIPTION	DATE	APPROVED
A		RELEASE TO PRODUCTION	09/12/2007	Hank Hsu



P/N : G0912X230XXLF G0912X230XXLF
Q'TY : 2500 2500
P/O : 411-012345-001 411-012345-001
DATE : 06 / 31 / 2007 MM / DD / YYYY
G.W : 15.00 KG GP
Amphenol Taiwan Corporation

LABEL

PART NO.	PCS/TRAY	TRAY/CARTON	PCS/CARTON	PE BAG	LAYER
G09 SERIES	100	25	2500	1	2

(* *) FOR REFERENCE

TOLERANCE m/m	APPROVALS	DATE	TITLE		Amphenol®	
x. ±0.30	DRAWN CHENNY YEH	09/12/2007	G09 SERIES SATA II CONNECTOR PLUG, 7-POS. R/A DIP, NORMAL		Amphenol Corporation Amphenol Taiwan Corporation	
x.x ±0.25	CHECKED SONDRA SANG	09/12/2007				
x.xxx ±0.08	APPROVED HANK HSU	09/12/2007				
ANGULAR ±2°			SCALE	N.A.	SHEET 2 OF 2	
UNLESS OTHERWISE SPECIFIED		UNIT MM	SIZE A4	PART NO. G09 12X2 30XX LF	DWG NO. T473-G0912X230XXLF-29	REV. A