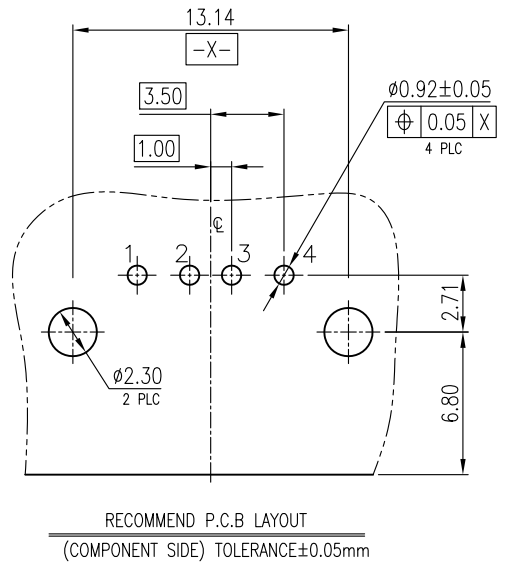
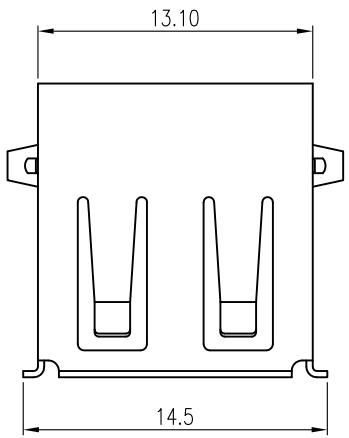


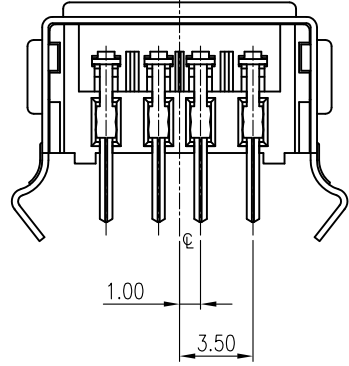
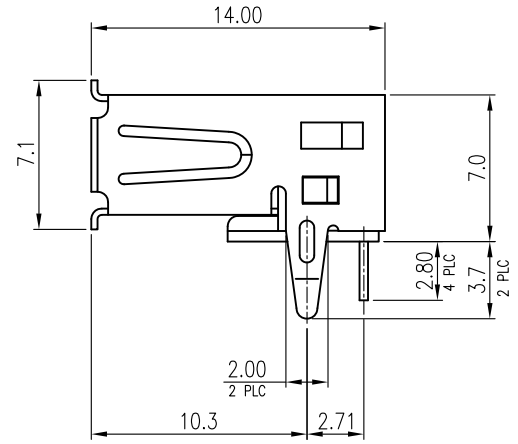
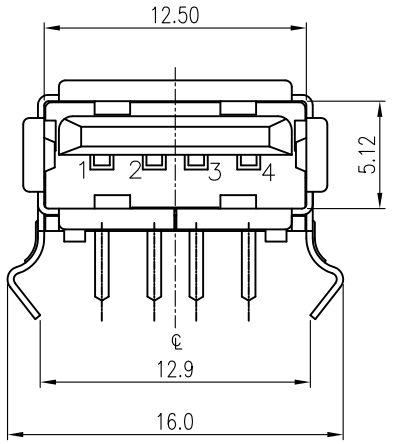
This document is the property of Amphenol Corporation and is delivered on the express condition that is not to be disclosed, reproduced or used, in whole or in part, for manufacture or sale by anyone other than Amphenol Corporation without its prior consent, and that no right is granted to disclose or to use any information in this document.

The marking on this product doesn't contain environmental hazardous materials per Material Specification 55-00259 for Sony GP compliant or per directive 2002/95/EC for RoHS compliant.

REVISIONS				
SYM	ECN No.	DESCRIPTION	DATE	APPROVED
AX1		UNAPPROVED REVISION	02/13/2009	Hank Hsu



- NOTES:**
- MATERIAL:**
HOUSING: HIGH TEMPERATURE THERMAL PLASTIC, UL94V-0.
TERMINAL: COPPER ALLOY.
SHELL: COPPER ALLOY.
 - FINISH:**
TERMINAL:
CONTACT AREA: SELECTED GOLD PLATING ;
SOLDERING AREA: MATTE TIN PLATING 100 μ" THICKNESS MIN.;
UNDER PLATING: NICKEL PLATING 50 μ" THICKNESS MIN. OVERALL.
SHELL:
TIN PLATING 100 μ" THICKNESS MIN. OVERALL.
NICKEL PLATING 50 μ" THICKNESS MIN. OVERALL.
 - PACKING IS PER AMTA PACKING SPECIFICATION PKS-0001.
 - THIS PRODUCT DOESN'T CONTAIN ENVIRONMENTAL HAZARDOUS PER DIRECTIVE 2002/95/EC FOR RoHS COMPLIANT.



PART NO. GSB121XXEU

CONTACT FINISH — COLOR

1: GOLD FLASH	0: WHITE
2: 30 μ" GOLD	1: BLACK
4: 5 μ" GOLD	2: BEIGE
5: 15 μ" GOLD	3: BLUE

**PRELIMINARY RELEASE
SUBJECT TO CHANGE**

TOLERANCE	APPROVALS	DATE	TITLE	UNIT	SCALE	SIZE	PART No.
X. ±0.30	DRAWN Roger Tsai	02/13/2009	USB SERIES STANDARD A TYPE CONNECTOR	mm		A3	GSB121XXEU
X.X ±0.20	CHECKED Daniel Hsieh	02/13/2009		NA		1 OF 1	
X.XX ±0.10	APPROVED Hank Hsu	02/13/2009					REV. AX1
ANGULAR ±1°	DWG TYPE CUST DWG	PROJECT CODE OTHER					
UNLESS OTHERWISE SPECIFIED							