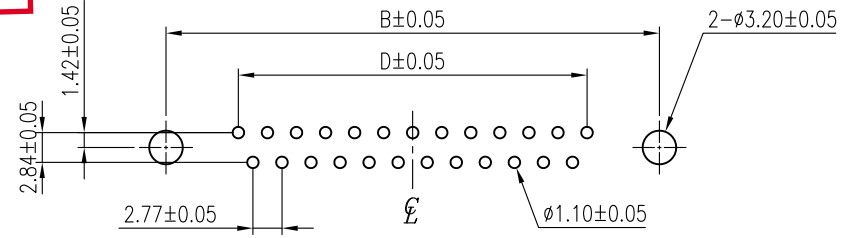
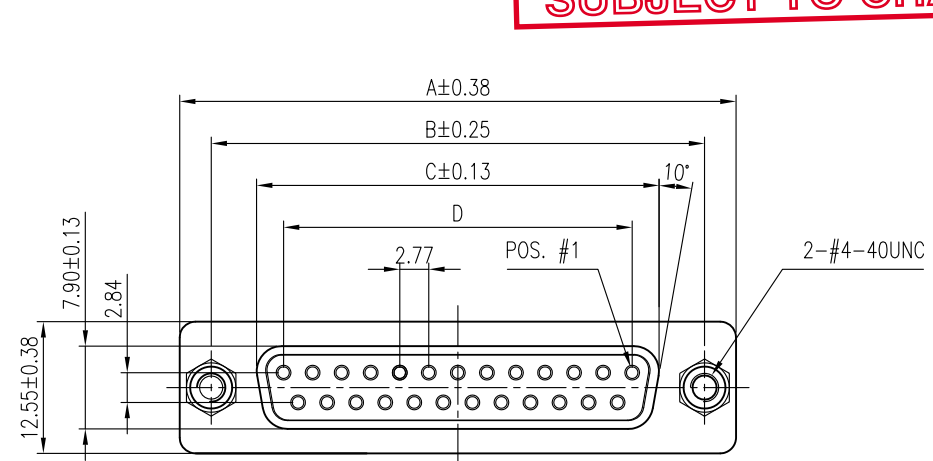


This document is the property of Amphenol Corporation and is delivered on the express condition that it not be disclosed, reproduced or used, in whole or in part, for manufacture or sale by anyone other than Amphenol Corporation without its prior consent, and that no right is granted to disclose or to use any information in this document.

The marking on this product doesn't contain environmental hazardous materials per Material Specification 55-00259 for Sony GP compliant or per directive 2002/95/EC for RoHS compliant.

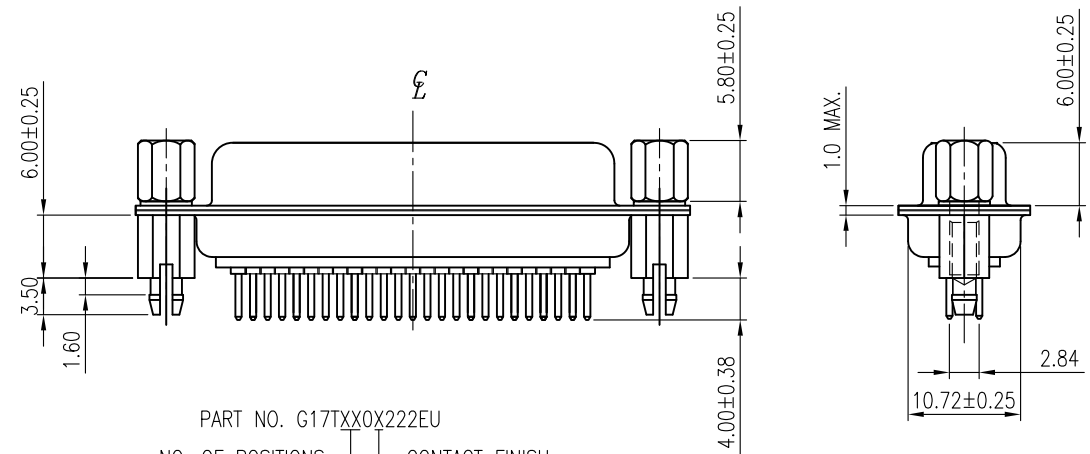
**PRELIMINARY RELEASE
SUBJECT TO CHANGE**

REVISIONS				
SYM	ECN No.	DESCRIPTION	DATE	APPROVED
AX1		NON-RELEASE REVISION	09/23/2009	Roger Tsai



RECOMMENDED PCB LAYOUT

- NOTES:**
- MATERIAL:**
 HOUSING: HIGH TEMPERATURE THERMAL PLASTIC, PBT, UL94V-0, COLOR: BLACK.
 COVER: HIGH TEMPERATURE THERMAL PLASTIC, PBT, UL94V-0, COLOR: BLACK.
 TERMINAL: COPPER ALLOY.
 SHELL: SPCC.
 BOARDLOCK: COPPER ALLOY.
 RIVET & SCREW: COPPER ALLOY.
 - FINISH:**
 TERMINAL:
 CONTACT AREA: SELECTED GOLD PLATING;
 SOLDERING AREA: TIN PLATING 100 μ" THICKNESS MIN.;
 UNDER PLATING: NICKEL PLATING 50 μ" THICKNESS MIN. OVERALL.
 SHELL:
 NICKEL PLATING 80 μ" MINIMUM OVER CU 60 μ" MINIMUM
 BOARDLOCK:
 TIN PLATING 100 μ" MINIMUM OVER NICKEL 50 μ" MINIMUM
 RIVET & SCREW:
 NICKEL PLATING 80 μ" MINIMUM OVER CU 60 μ" MINIMUM
 - PACKING IS PER AMTA PACKING SPECIFICATION PKS-0001.
 - THIS PRODUCT IS LEAD-FREE & RoHS COMPLIANT PRODUCT.



PART NO. G17TXX0X222EU

NO. OF POSITIONS	CONTACT FINISH
09: 9 POSITIONS	0: GOLD FLASH
15: 15 POSITIONS	1: 15 μ" GOLD
25: 25 POSITIONS	2: 30 μ" GOLD
37: 37 POSITIONS	

PART NUMBERS	NO. OF CONTACTS	DIMENSION			
		A	B	C	D
G17T 090X 222 EU	9	30.81	24.99	16.33	11.08
G17T 150X 222 EU	15	39.19	33.32	24.66	19.39
G17T 250X 222 EU	25	53.04	47.04	38.38	33.24
G17T 370X 222 EU	37	69.43	63.50	54.84	49.86

TOLERANCE	APPROVALS	DATE	TITLE		Amphenol®	
X. X.X ±0.30 X.XX ±0.20 X.XXX ±0.10	DRAWN Roger Tsai	09/23/2009	G17T SERIES D-SUB CONNECTOR STRAIGHT PCB MOUNT RECEPTACLE		Amphenol Corporation Amphenol Taiwan Corporation	
ANGULAR ±1°	CHECKED Daniel Hsieh	09/23/2009	UNIT mm SCALE NA	SIZE A3 SHEET 1 OF 1	PART No. G17TXX0X222EU	
UNLESS OTHERWISE SPECIFIED	APPROVED Roger Tsai	09/23/2009			DWG No. G17TXX0X222EU	
	DWG TYPE CUST DWG	PROJECT CODE DSUB	