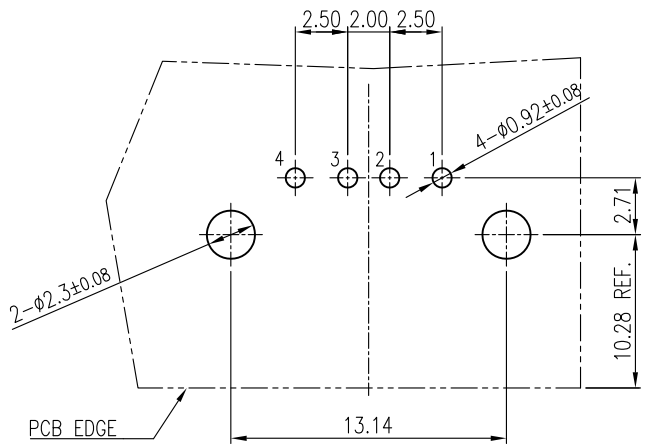
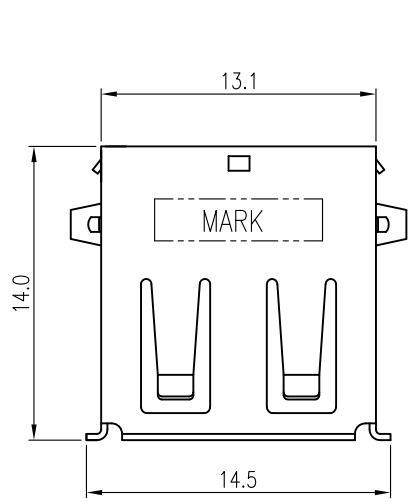


This document is the property of Amphenol Corporation and is delivered on the express condition that is not to be disclosed, reproduced or used, in whole or in part, for manufacture or sale by anyone other than Amphenol Corporation without its prior consent, and that no right is granted to disclose or to use any information in this document.

The marking on this product doesn't contain environmental hazardous materials per Material Specification SS-00259 for Sony GP compliant or per directive 2002/95/EC for RoHS compliant.

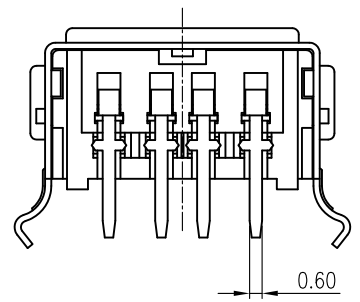
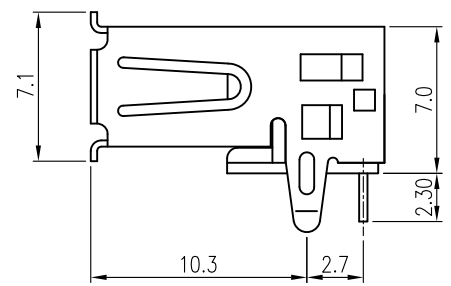
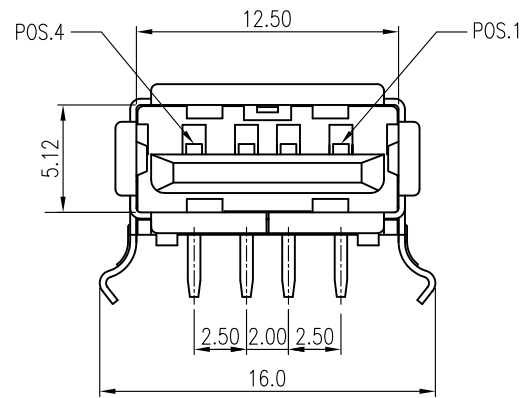
REVISIONS				
SYM	ECN No.	DESCRIPTION	DATE	APPROVED
AX1		UNAPPROVED REVISION	02/05/2009	Hank Hsu
AX2		ADD PLATING OPTION	02/12/2009	Hank Hsu



RECOMMEND P.C.B LAYOUT  
COMPONENT SIDE THICKNESS 1.6mm

**NOTES:**

- MATERIAL:**  
HOUSING: HIGH TEMPERATURE THERMAL PLASTIC, UL94V-0.  
TERMINAL: COPPER ALLOY.  
SHELL: COPPER ALLOY.
- FINISH:**  
TERMINAL:  
CONTACT AREA: GOLD PLATING 30 μ" THICKNESS MIN.;  
SOLDERING AREA: MATTE TIN PLATING 150 μ" THICKNESS MIN.;  
UNDER PLATING: NICKEL PLATING 50 μ" THICKNESS MIN. OVERALL.  
SHELL:  
NICKEL PLATING 30 μ" THICKNESS MIN. OVERALL.
- PACKING IS PER AMTA PACKING SPECIFICATION PKS-0001.
- THIS PRODUCT DOESN'T CONTAIN ENVIRONMENTAL HAZARDOUS PER DIRECTIVE 2002/95/EC FOR RoHS COMPLIANT.



PART NO. GSB12BXXEU

CONTACT FINISH	COLOR
1: GOLD FLASH	0: WHITE
2: 30 μ" GOLD	1: BLACK
4: 5 μ" GOLD	2: BEIGE
5: 15 μ" GOLD	3: BLUE

**PRELIMINARY RELEASE  
SUBJECT TO CHANGE**

TOLERANCE		APPROVALS		DATE	TITLE	UNIT			SIZE			PART No.		
X.		DRAWN Roger Tsai		02/05/2009	USB SERIES A CONNECTOR REVERSE TYPE	mm			A3			PART No. GSB12BXXEU		
X.X	±0.30	CHECKED Daniel Hsieh		02/05/2009		SCALE NA			SHEET 1 OF 1			DWG No. GSB12BXXEU		
X.XX	±0.20	APPROVED Hank Hsu		02/05/2009		REV. AX2								
X.XXX	±0.10	DWG TYPE CUST DWG		PROJECT CODE PHD										
ANGULAR ±1°		UNLESS OTHERWISE SPECIFIED												

