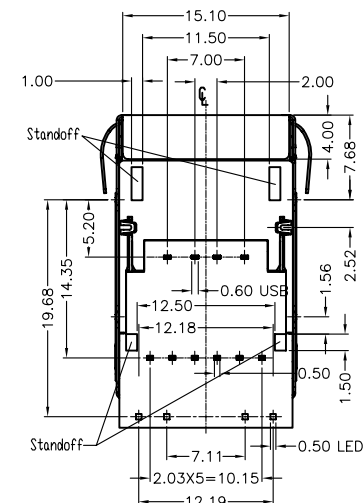
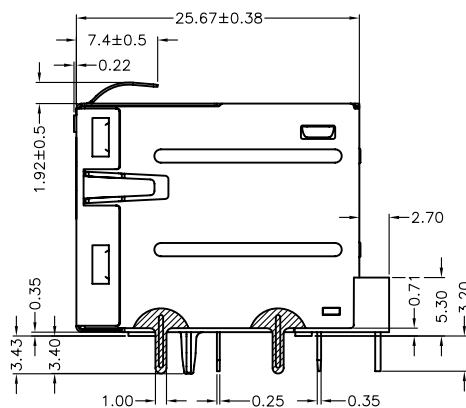
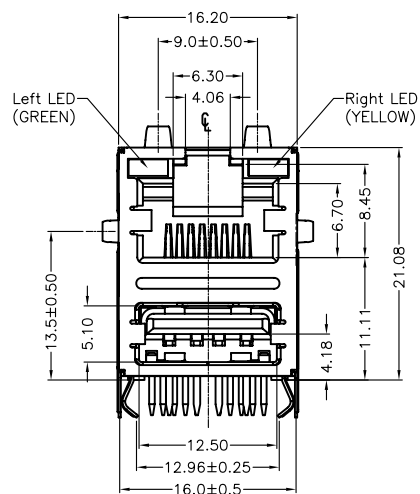
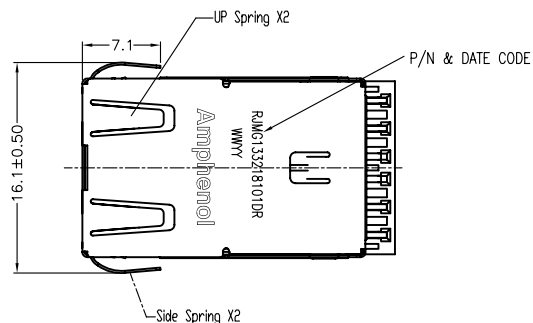
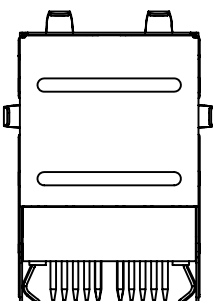


This document is the property of Amphenol Corporation and is delivered on the express condition that it is not to be disclosed, reproduced or used, in whole or in part, for manufacture or sale by anyone other than Amphenol Corporation without its prior consent, and that no right is granted to disclose or to use any information in this document.

CUSTOMER DRAWING

REVISIONS				
SYM	ECN No.	DESCRIPTION	DATE	APPROVED
AX1		PRELIMINARY RELEASED	04/16/2008	Greg L

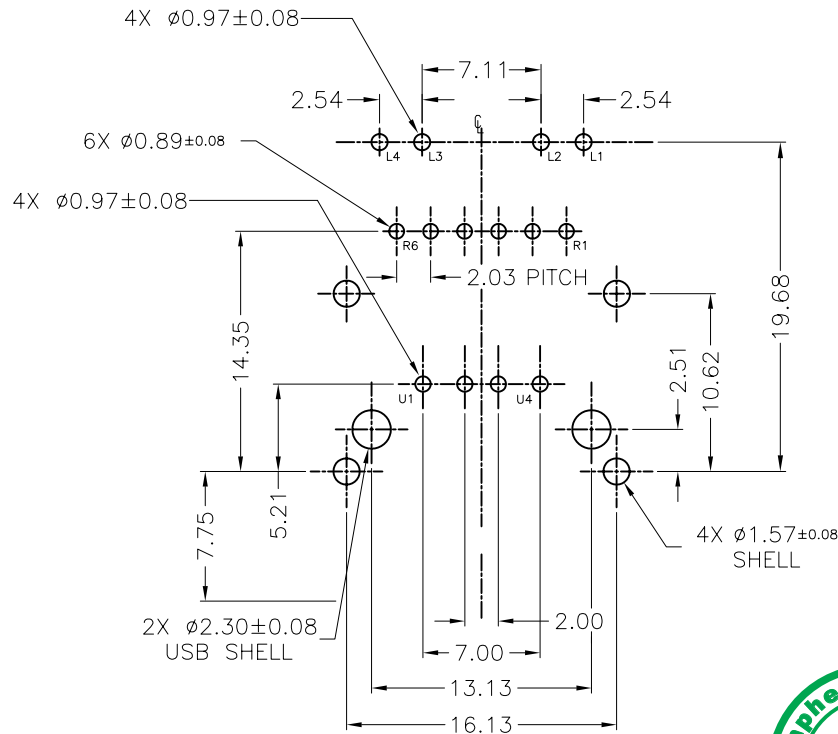


TOLERANCE m/m		APPROVALS		DATE	TITLE		 Amphenol Corporation		
x.	±0.30	DRAWN	Stone Lee	04/16/2008	RJmag 10/100 Base				
x.x	±0.25	CHECKED	Jason Zhan	04/16/2008	RJ Over USB				
x.xx	±0.15	APPROVED	Greg L	04/16/2008					
x.xxx	±0.08								
ANGULAR	±2°								
UNLESS OTHERWISE SPECIFIED				UNIT	SIZE	PART NO.	DRAWING NO.		REV.
				MM	A3	RJMG133218101DR	RJMG133218101DR		AX1

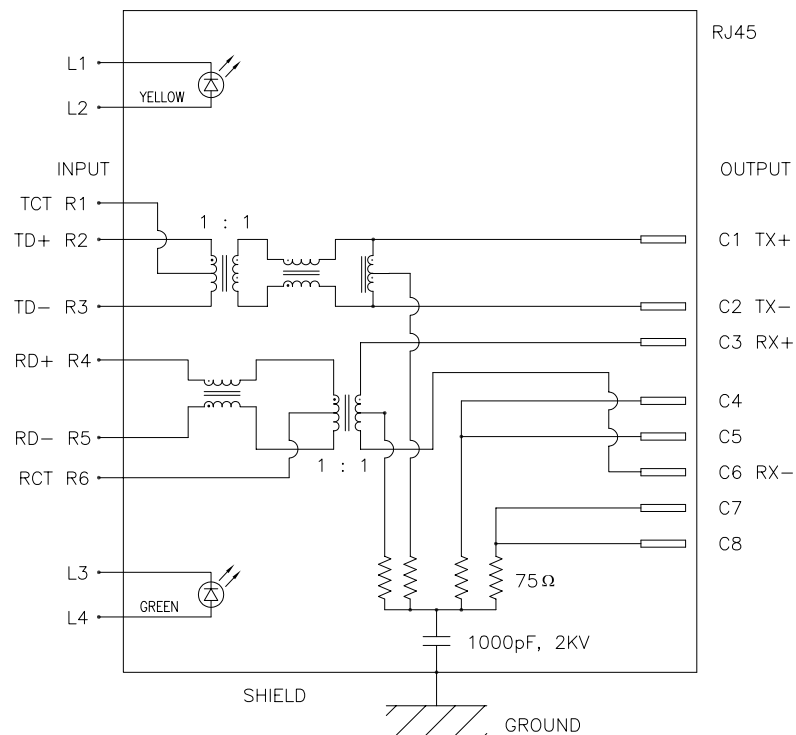
This document is the property of Amphenol Corporation and is delivered on the express condition that it is not to be disclosed, reproduced or used, in whole or in part, for manufacture or sale by anyone other than Amphenol Corporation without its prior consent, and that no right is granted to disclose or to use any information in this document.

CUSTOMER DRAWING

REVISIONS				
SYM	ECN No.	DESCRIPTION	DATE	APPROVED
AX1		PRELIMINARY RELEASED	04/16/2008	Greg L



RECOMMENDED PCB LAYOUT
COMPONENT SIDE
 PCB THICKNESS : 1.60mm
 ALL DIMENSION TOLERANCE ARE ±0.05
 UNLESS OTHERWISE SPECIFIED



LED PERFORMANCE

Emitted Color	Yellow	Green
Wavelength	585nm	568nm
Forward Current	30mA Max.	30mA Max.
Reverse Current	100uA Max. @ 5V	100uA Max. @ 5V
Forward Volt. Max.	2.2 VDC	2.2 VDC

TOLERANCE m/m	APPROVALS	DATE	TITLE	Amphenol® Amphenol Corporation	
x. ±0.30	DRAWN Stone Lee	04/16/2008	RJmag 10/100 Base	SCALE N.A.	SHEET 2 OF 3
x.x ±0.25	CHECKED Jason Zhan	04/16/2008	RJ Over USB	DRAWING NO.	REV.
x.xx ±0.15	APPROVED Greg L	04/16/2008		RJMG133218101DR	AX1
x.xxx ±0.08					
ANGULAR ±2°					
UNLESS OTHERWISE SPECIFIED	UNIT MM	SIZE A3	PART NO. RJMG133218101DR	DRAWING NO. RJMG133218101DR	REV. AX1

This document is the property of Amphenol Corporation and is delivered on the express condition that it is not to be disclosed, reproduced or used, in whole or in part, for manufacture or sale by anyone other than Amphenol Corporation without its prior consent, and that no right is granted to disclose or to use any information in this document.

CUSTOMER DRAWING

REVISIONS				
SYM	ECN No.	DESCRIPTION	DATE	APPROVED
AX1		PRELIMINARY RELEASED	04/16/2008	Greg L

MATERIALS:

1. Terminal Parts:

- 1.1. RJ Terminal : Phosphor Bronze, Thickness=0.30mm
Finish: 15u" gold on contact area, 100u" min. tin on solder tail area, underplating 50~100u" Nickel over all.
- 1.2. RJ input Terminal : Brass, Thickness=0.35mm
Finish: 100u" min. tin over 50~100u" Nickel.
- 1.3. Module Terminal : Brass, Thickness=0.25mm
Finish: 100u" min. tin over 50~100u" Nickel.
- 1.4. USB Terminal : Phosphor Bronze , Thickness=0.25mm
Finish: 15u" gold on contact area, 100u" min. tin on solder tail area, underplating 50~100u" Nickel over all.

2. Plastic Parts:

- 2.1. Housing : Thermoplastic , PBT , Black ; UL FILE No. : E130155
Grade: 1410, Flame Class: UL94 V-0
- 2.2. Coil Case : Thermoplastic, PBT, UL FILE No. : E130155
Grade: 1410, Flame Class: UL94 V-0
- 2.3. Spacer : Thermoplastic, PBT, UL FILE No. : E130155
Grade: 1410, Flame Class: UL94 V-0

3. Shell Parts:

- 3.1. Shell : Stainless, Thickness=0.20mm,
Grounding Leg : Pre-soldering.
- 3.2. Grounding Leg of USB : Brass , Thickness=0.25mm
Finish : 100m" min. Tin over 50~100m" min. Nickel

OTHERS:

- 1. Operating Temperature : 0°C TO +70°C
- 2. Storage Temperature : -40°C TO +85°C
- 3. JACK CAVITY CONFORMS TO FCC RULES AND REGULATIONS
PART 68 , SUBPART F



ELECTRICAL SPECIFICATION (@25° C) CONNECTOR PERFORMANCE

PARAMETER	LIMITS (MAX. OR MIN.)	FREQUENCY RANGE/ TEST CONDITIONS
INSERTION LOSS (RX/TX)	-1.0dB MAX.	1-100 MHz
RETURN LOSS (RX/TX)	-18dB MIN. -16dB MIN. -12dB MIN.	1-30 MHz 30-60 MHz 60-80 MHz
CM-CM REJECTION	-30dB MIN.	1-100 MHz
CROSSTALK ISOLATION (RX/TX)	-30dB MIN.	1-100 MHz
HIPOT (ISOLATION)	1.5kVrms MIN.	60 Sec.
OCL	350uH MIN.	100KHz 100mV 8mA
TURN RATIO	1:1±5%	

TOLERANCE m/m	APPROVALS	DATE	TITLE		Amphenol® Amphenol Corporation	
x. ±0.30	DRAWN Stone Lee	04/16/2008	RJmag 10/100 Base		SCALE N.A. SHEET 3 OF 3	
x.x ±0.25	CHECKED Jason Zhan	04/16/2008	RJ Over USB			
x.xx ±0.15	APPROVED Greg L	04/16/2008				
x.xxx ±0.08						
ANGULAR ±2°			SIZE A3	PART NO. RJMG133218101DR	DRAWING NO. RJMG133218101DR	REV. AX1
UNLESS OTHERWISE SPECIFIED			UNIT MM			