

This document is the property of Amphenol Corporation and is delivered on the express condition that it is not to be disclosed, reproduced or used, in whole or in part, for manufacture or sale by anyone other than Amphenol Corporation without its prior consent, and that no right is granted to disclose or to use any information in this document.

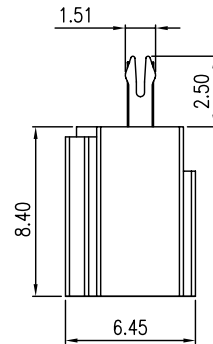
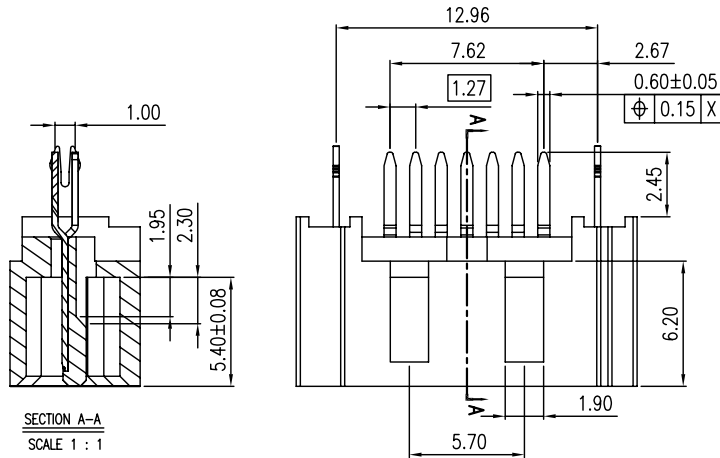
The marking on this product doesn't contain environmental hazardous materials per Material Specification 55-00259 for Sony GP compliant or per directive 2002/95/EC for RoHS compliant.



ORIGINAL



REVISIONS				
SYM	ECN No.	DESCRIPTION	DATE	APPROVED
A		UNAPPROVED REVISION	06/04/2009	Roger Tsai



NOTES:

1. MATERIAL:

HOUSING: HIGH TEMPERATURE THERMO PLASTIC UL94V-0
 TERMINAL: COPPER ALLOY T= 0.30 ±0.01 mm.
 BOARBLOCK: COPPER ALLOY T= 0.30 ±0.01mm.

2. FINISH:

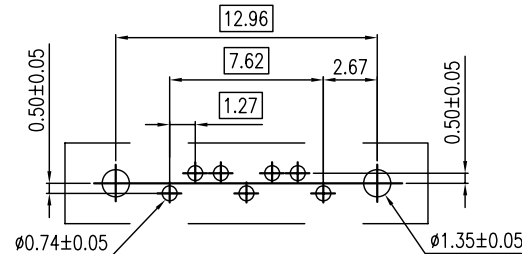
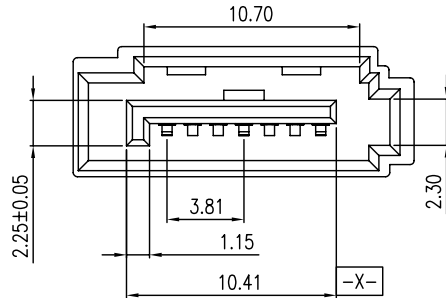
TERMINAL:

CONTACT AREA: SELECTIVE GOLD PLATED.
 SOLDERING AREA: MATTE TIN PL. 150 μ" THK MIN.
 UNDER PL.: NICKEL PL. 50 μ" THK MIN.

BOARBLOCK:

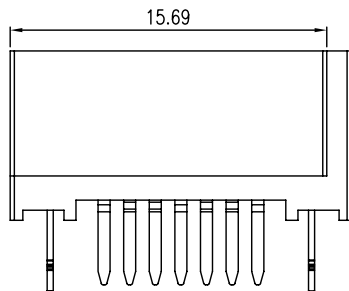
SOLDERING AREA: MATTE TIN PL. 100 μ" THK MIN.
 UNDER PL.: NICKEL PL. 50 μ" THK MIN.

3. THIS PRODUCT DOESN'T CONTAIN ENVIRONMENTAL HAZARDOUS PER DIRECTIVE 2002/95/EC FOR RoHS COMPLIANT.
 4. PACKING IS PER AMTA PACKING SPECIFICATION PKS-G16AD001.

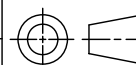


RECOMMEND PCB LAYOUT

G16AD X 21QMEU
 CONTACT FINISH 0: GOLD FLASH
 1: 15u" GOLD
 2: 30u" GOLD



TOLERANCE	DRAWN	APPROVALS	DATE	TITLE	UNIT	SIZE	PART No.
X. ±0.30	DESIGNED	Daniel Hsieh	06/04/2009	SATA CONNECTOR 7 POS., 1.27 PITCH, VERTICAL, DIP TYPE	mm	A3	G16ADX210MEU
X.X ±0.20	CHECKED	Roger Tsai	06/04/2009				
X.XX ±0.10	APPROVED	Arron Lin	06/04/2009	PROJECT CODE SKT	NA	SHEET 1 OF 1	DWG No. G16ADX210MEU
X.XXX ±0.10	DWG TYPE	CUST DWG					
ANGULAR ±1°							
UNLESS OTHERWISE SPECIFIED							



This document is the property of Amphenol Corporation and is delivered on the express condition that is not to be disclosed, reproduced or used, in whole or in part, for manufacture or sale by anyone other than Amphenol Corporation without its prior consent, and that no right is granted to disclose or to use any information in this document.

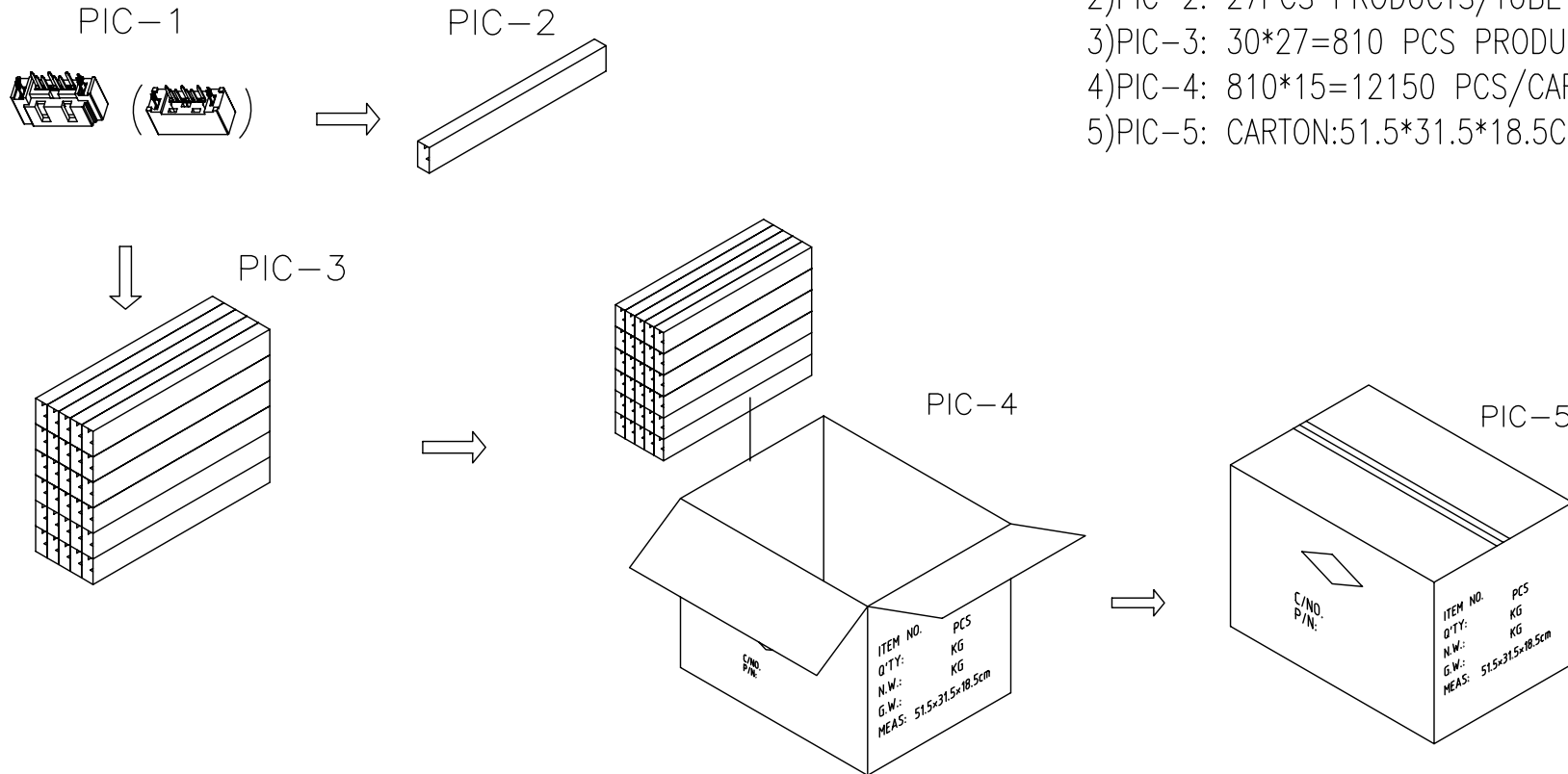
The marking on this product doesn't contain environmental hazardous materials per Material Specification 55-00259 for Sony GP compliant or per directive 2002/95/EC for RoHS compliant.



ORIGINAL



REVISIONS				
SYM	ECN No.	DESCRIPTION	DATE	APPROVED
A		UNAPPROVED REVISION	06/04/2009	Roger Tsai



- 1.
- 1)PIC-1: PRODUCT.
- 2)PIC-2: 27PCS PRODUCTS/TUBE
- 3)PIC-3: 30*27=810 PCS PRODUCTS/TUBE
- 4)PIC-4: 810*15=12150 PCS/CARTON.
- 5)PIC-5: CARTON:51.5*31.5*18.5CM.

TOLERANCE	DRAWN	APPROVALS	DATE	TITLE	UNIT	SCALE	SIZE	SHEET	REV.
X. ±0.30	DESIGNED	Daniel Hsieh	06/04/2009	SATA CONNECTOR 7 POS., 1.27 PITCH, VERTICAL, DIP TYPE	mm	NA	A3	1 OF 1	A
X.X ±0.20	CHECKED	Roger Tsai	06/04/2009						
X.XXX ±0.10	APPROVED	Arron Lin	06/04/2009						
ANGULAR ±1°	DWG TYPE	CUST DWG	PROJECT CODE						
UNLESS OTHERWISE SPECIFIED			SKT						

Amphenol®
Amphenol Corporation
Amphenol Taiwan Corporation

PART No. PKS-G16AD001
DWG No. PKS-G16AD001